



Model: WALL-SMART FOR C2N-CBF-P+ASCENT
by CRESTRON®

Family: WALL-SMART

DWG NO. 10-04-119-SPC



Model No.: 10-01-119

PRODUCT SPEC.

REVISION A

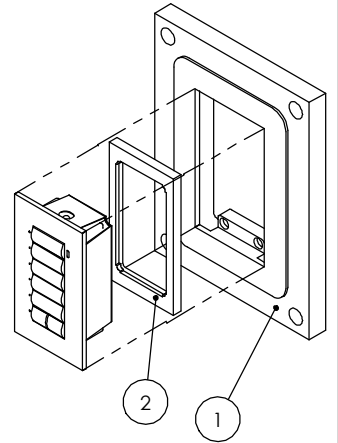
DATE 27/Oct./2013

Make Your Wall Smart

Wall-Smart for C2N-CBF-P+ASCENT KEYPAD - Product description:

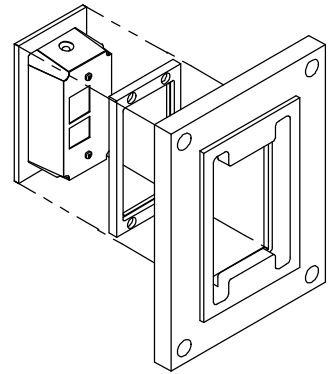
The Wall-Smart for C2N-CBF-P+ASCENT is an adapter for in-wall flush installation of a C2N-CBF-P+ASCENT keypad.

The Wall-Smart for C2N-CBF-P+ASCENT keypad securely mounts the keypad while allowing easy access, insertion and exertion.



Key features and benefits:

- Flush with the wall.
- Paintable with the wall paint in any color and texture.
- Allows easy insertion and exertion of the keypad by manual push and magnet detachment of the keypad tray.
- The adapter is supplied unpainted (To be painted after installation as part of the wall).
- Installation of the Wall-Smart adapter is straight-forward. Installation process is similar to drywall construction procedures.
- Designed for the use with C2N-CBF-P+ASCENT keypad (by CRESTRON ©) (keypad not included).
- Adapter kit contains:
 1. Wall adapter;
 2. Keypad adapter;



Key properties:

- Dimensions (W/H/D): 116mm (4.6")/ 154mm (6.05")/ 16.6mm (0.65")
- Power Supply: None (manual adapter).
- Weight: 0.39Kg, 0.86lbs.
- To be installed in ½" drywall.

