



Model: WS for C4 Decora Wired Keypad 2GANG

Family: WALL-SMART

DWG NO. 10-04-118-SPC



Model No.: 10-01-118

PRODUCT SPEC.

REVISION A

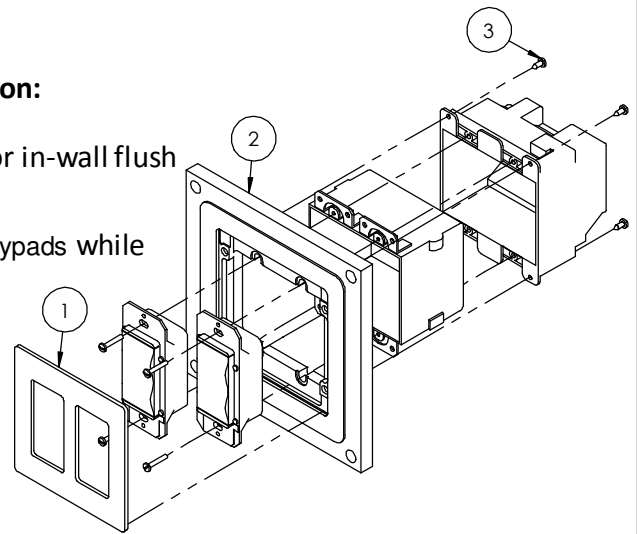
DATE 28/Oct./2014

Make Your Wall Smart

“WS for C4 Decora Wired Keypad 2GANG” - Product description:

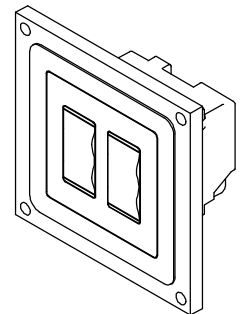
The “WS for C4 Decora Wired Keypad 2GANG” is an adapter for in-wall flush installation of 2 Control4 “Decora” style keypads.

The “WS for C4 Decora Wired Keypad” securely mounts the keypads while allowing easy access, insertion and removal.

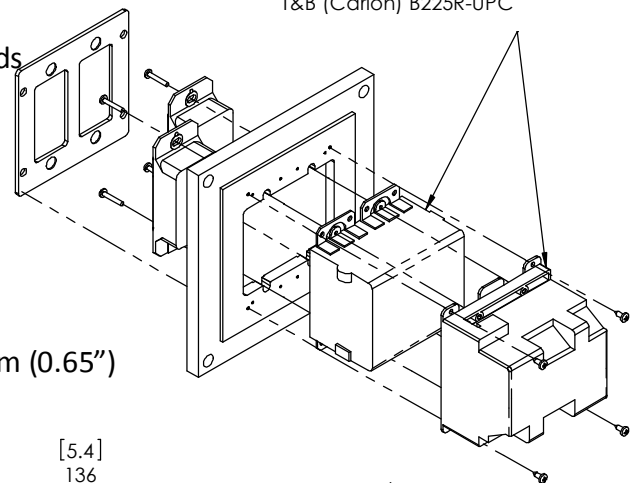


Key features and benefits:

- Flush with the wall.
- Paintable with the wall paint in any color and texture.
- Allows easy insertion and removal of the keypads by manual push and magnet detachment of the keypad bezel.
- The adapter is supplied unpainted (To be painted after installation as part of the wall).
- Designed to be installed in ½” drywall. Installation of the Wall-Smart adapter is straight-forward. Installation process is similar to drywall construction procedures. Before installation, read Wall-Smart installation instruction 10-04-00101-INS in <http://www.wall-smart.com/faq>
- For installation in concrete/block wall use “WS CONCRETE ADAPTOR FOR C4 Decora Keypad 2GANG” P/N 10-01-254 (sold separately) according installation instruction 10-04-00103-INS in <http://www.wall-smart.com/faq>
- Designed for the use with Control4 “Decora” style keypads (keypads not included).
- Adapter kit contains:
 - Wall adapter (item 2)
 - Keypad bezel (item 1)
 - (4x) ST3.5 Screws (item 3)



Use one of the following back boxes (or equivalent):
Hubbel-Raco BOX 420 2gang
T&B (Carlton) B225R-UPC



Key properties:

- Dimensions (W/H/D): 180mm (7.1")/ 180mm (7.1")/ 16.6mm (0.65")
- Power Supply: None (manual adapter).
- Weight: 0.283Kg, 0.62lbs.

