



Model: WS FOR RTI KX-7 IN-WALL CONTROLLER

Family: WALL-SMART

DWG NO. 10-04-108-SPC

Model No.: 10-01-108

PRODUCT SPEC.

REVISION A
DATE 02/july/2013



Make Your Wall Smart

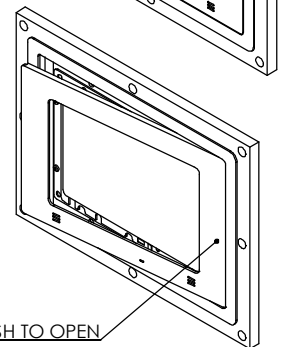
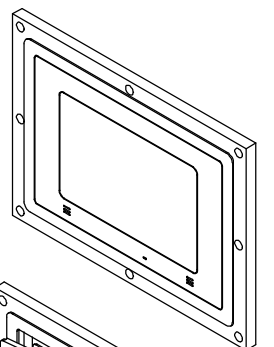
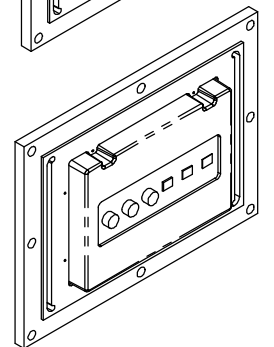
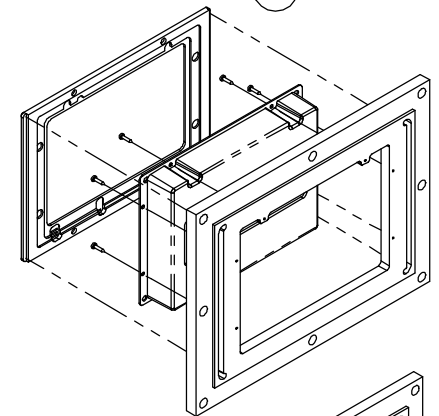
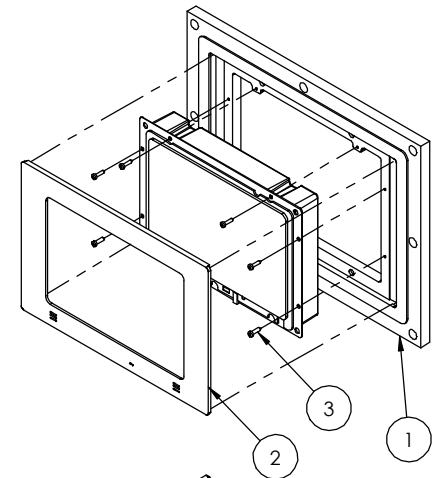
Wall-Smart for RTI KX-7 in-wall controller - Product description:

The WS for RTI KX-7 in-wall controller is an adapter for in-wall flush installation of a RTI KX-7 in-wall controller.

The Wall-Smart for RTI KX-7 in-wall controller securely mounts the controller while allowing easy access, insertion and removal.

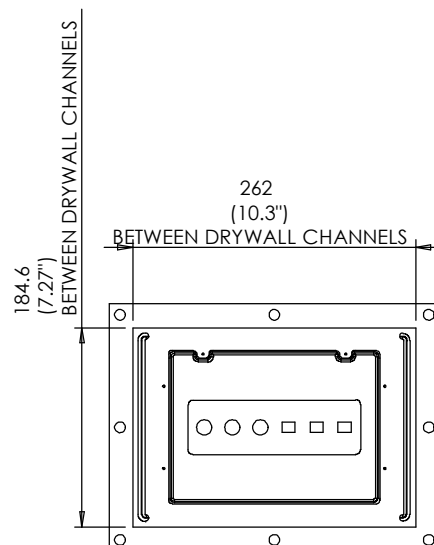
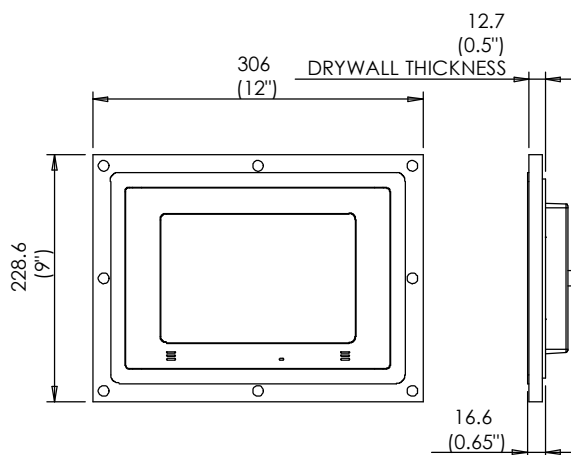
Key features and benefits:

- Flush with the wall.
- Paintable with the wall paint in any color and texture.
- Allows easy insertion and removal of the controller by manual push and magnet detachment of the controller bezel (item 2).
- The adapter is supplied unpainted (To be painted after installation as part of the wall).
- Installation of the Wall-Smart adapter is straight-forward. Installation process is similar to drywall construction procedures.
- Designed for the use with RTI KX-7 in-wall controller (controller not included).
- Adapter kit contains:
 1. Wall adapter;
 2. Keypad adapter;
 3. 6 x ST3.5 Screw



Key properties:

- Dimensions (W/H/D): 306mm (12")/ 228.6mm (9")/ 16.6mm (0.65")
- Power Supply: None (manual adapter).
- Weight: 0.4Kg, 0.9pounds.
- To be installed in 1/2" drywall.



PUSH TO OPEN