



Model: WS for RAKO WCM-070

Family: WALL-SMART

DWG NO. 10-04-104-SPC



Model No.: 10-01-104

PRODUCT SPEC.

REVISION A

DATE 20/AUG./2013

### Make Your Wall Smart

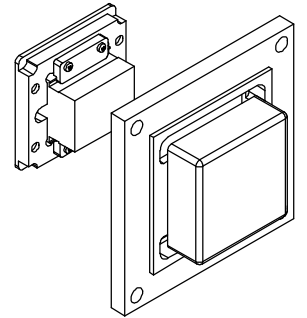
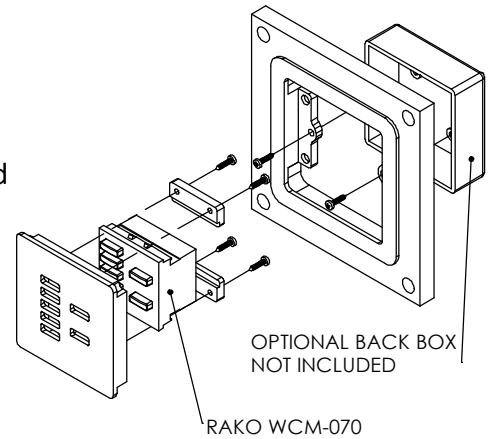
### Wall-Smart for RAKO WCM-070 - Product description:

The Wall-Smart for RAKO WCM-070 is an adapter for in-wall flush installation of a RAKO WCM-070 keypad.

The Wall-Smart for RAKO WCM-070 keypad securely mounts the keypad while allowing easy access, insertion and removal.

### Key features and benefits:

- Flush with the wall.
- Paintable with the wall paint in any color and texture.
- Allows easy insertion and removal of the keypad by manual push and magnet detachment of the keypad tray.
- The adapter is supplied unpainted (To be painted after installation as part of the wall).
- Installation of the Wall-Smart adapter is straight-forward. Installation process is similar to drywall construction procedures.
- Designed for the use with RAKO WCM-070 keypad (by Rako Controls Ltd) (keypad and back box not included).



### Key properties:

- Dimensions (W/H/D): 142mm (5.59")/ 142mm (5.59")/ 16.6mm (0.65")
- Power Supply: None (manual adapter).
- Weight: 0.19Kg, 0.42pounds.
- To be installed in 1/2" drywall.

