



Model: WS for Lutron Designer Style 3Gang

Model No.: 10-01-103

Family: WALL-SMART

DWG NO. 10-04-103-SPC

PRODUCT SPEC.

REVISION B

DATE 30/APR/2024



**Make Your Wall Smart**

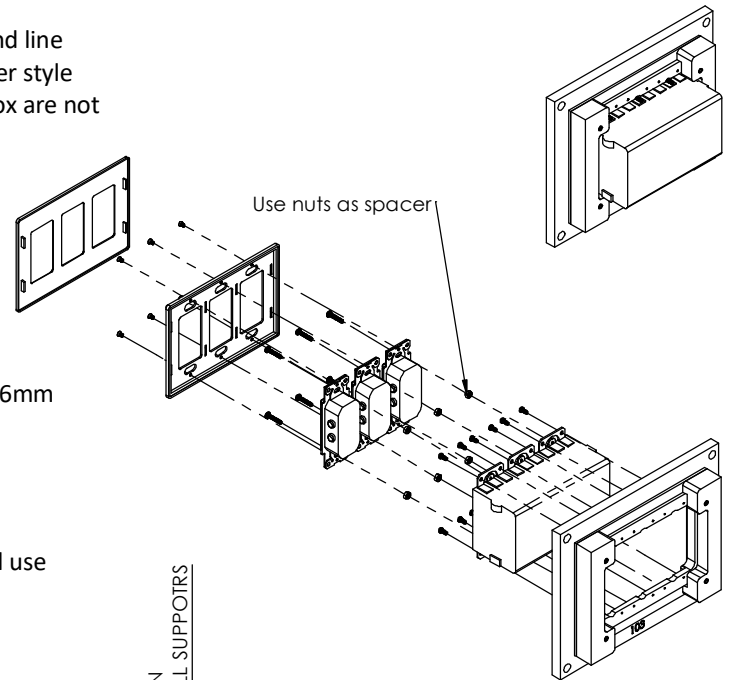
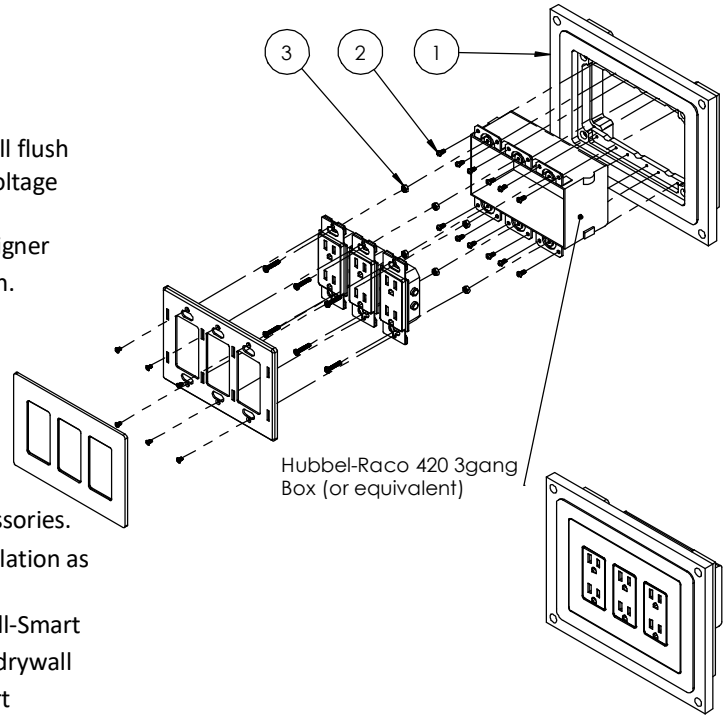
**“WS for Lutron Designer Style 3Gang”- Product description:**

The “WS for Lutron Designer Style 3Gang” is an adapter for in-wall flush installation of a Lutron Designer style 3 gang faceplate and line voltage decora® style accessories.

The “WS for Lutron Designer Style 3Gang” firmly mounts the Designer Style products while allowing easy access, insertion and operation.

**Key features and benefits:**

- Flush with the wall.
- Includes depth calibration mechanism.
- Paintable with the wall paint in any color and texture.
- Allows easy insertion and removal of the faceplate and accessories.
- The adapter is supplied unpainted (To be painted after installation as part of the wall).
- Designed to be installed in 1/2” drywall. Installation of the Wall-Smart adapter is straight-forward. Installation process is similar to drywall construction procedures. Before installation, read Wall-Smart installation instruction 10-04-00101-INS in <http://www.wall-smart.com/faq>
- Designed for the use with Designer Style 3 gang faceplate and line voltage decora® style accessories (by Lutron) (Lutron Designer style faceplate, line voltage decora® style accessories and back box are not included).
- Adapter kit contains:
  1. Wall adapter (x1)
  2. KA3.5X8 Screws (x12)
  3. Installation spacer (M4 nuts) (X6)



**Key properties:**

- Dimensions (W/H/D): 236.8mm (9.32")/ 188mm (7.4")/ 38.6mm (1.52")
- Power Supply: None (manual adapter).
- Weight: 0.5Kg, 1.1lbs.
- Material: Moisture resistant MDF.
- To be installed in 1/2” drywall (for installation in 5/8” drywall use SKU# 10-01-308).

