



Model: WS for RAKO WCM-070-ILED

Family: WALL-SMART

DWG NO. 10-04-099-SPC

Model No.: 10-01-099

PRODUCT SPEC.

REVISION A

DATE 20/AUG./2013



Make Your Wall Smart

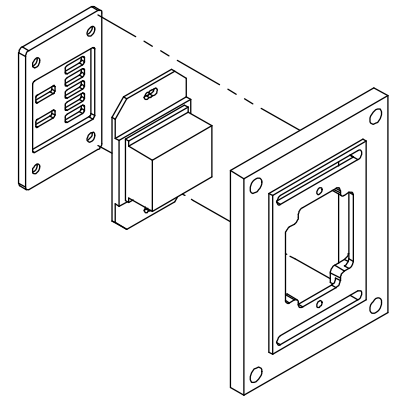
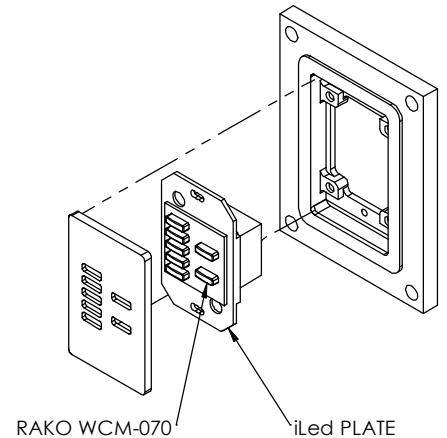
Wall-Smart for RAKO WCM-070-ILED - Product description:

The Wall-Smart for RAKO WCM-070-ILED is an adapter for in-wall flush installation of a RAKO WCM-070-ILED keypad.

The Wall-Smart for RAKO WCM-070-ILED keypad securely mounts the keypad while allowing easy access, insertion and removal.

Key features and benefits:

- Flush with the wall.
- Paintable with the wall paint in any color and texture.
- Allows easy insertion and removal of the keypad by manual push and magnet detachment of the keypad tray.
- The adapter is supplied unpainted (To be painted after installation as part of the wall).
- Installation of the Wall-Smart adapter is straight-forward. Installation process is similar to drywall construction procedures.
- Designed for the use with RAKO WCM-070-ILED keypad (by Rako Controls Ltd + iLED ADAPTER PLATE) (keypad and plate not included).



Key properties:

- Dimensions (W/H/D): 121 mm (4.76")/ 158mm (6.22")/ 16.6mm (0.65")
- Power Supply: None (manual adapter).
- Weight: 0.19Kg, 0.42pounds.
- To be installed in 1/2" drywall.

