



Model: WS FOR Euro Module 2Gang PFP

Family: WALL-SMART

DWG NO. 10-04-086-SPC



Model No.: 10-01-086

PRODUCT SPEC.

REVISION B

DATE 30/Sept./2014

Make Your Wall Smart

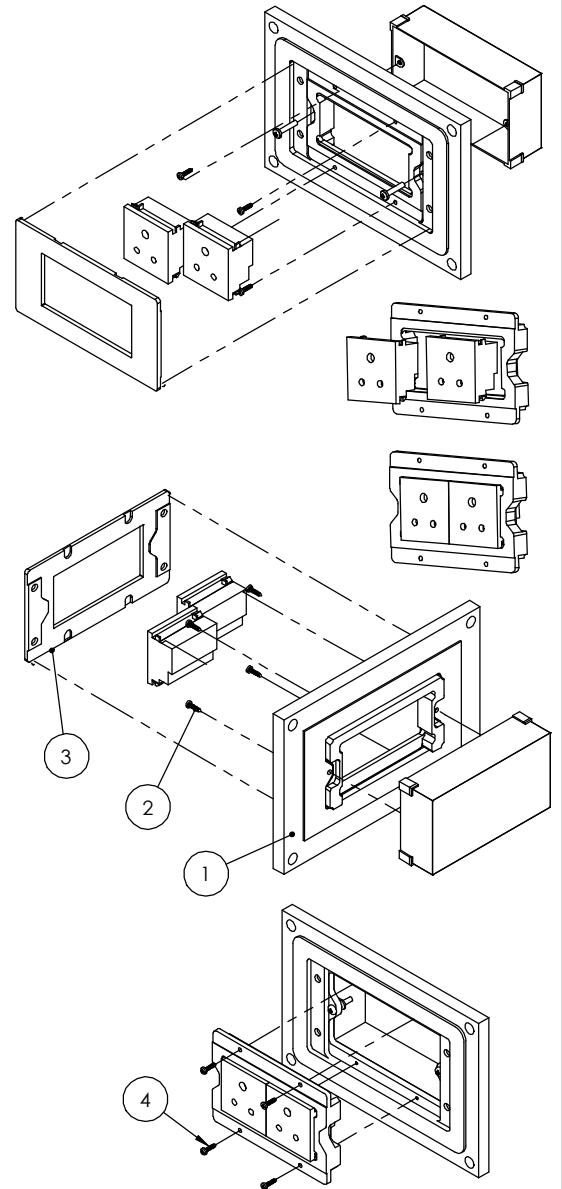
WS FOR Euro Module 2Gang PFP - Product description: (PFP: Paintable Face Plate)

The "WS FOR Euro Module 2Gang PFP" is an adapter for 2-gang in-wall flush installation of Euro modules.

The "WS FOR Euro Module 2Gang PFP" securely mounts the Euro modules while allowing easy access, insertion and removal.

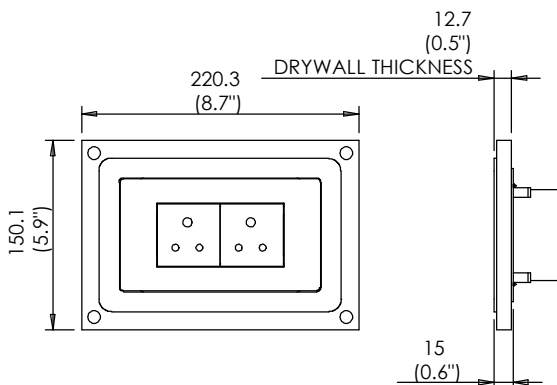
Key features and benefits:

- Flush with the wall.
- Paintable with the wall paint in any color and texture.
- Allows easy maintenance access.
- The adapter is supplied unpainted (To be painted after installation as part of the wall).
- Designed to be installed in 1/2" drywall. Installation of the Wall-Smart adapter is straight-forward. Installation process is similar to drywall construction procedures. Before installation, read Wall-Smart installation instruction 10-04-00101-INS in <http://www.wall-smart.com/faq>
- For installation in concrete/block wall use "WS CONCRETE ADAPTOR FOR Euro Module 2GANG PFP" P/N 10-01-129 (sold separately) according installation instruction 10-04-00103-INS in <http://www.wall-smart.com/faq>
- Designed for the use with Euro power modules. (Modules, back box and screws for back box not included)

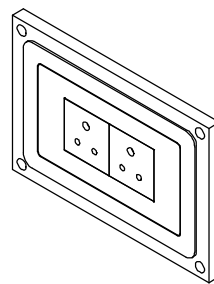


Key properties:

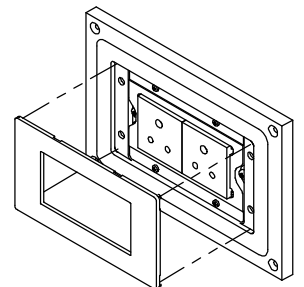
- Dimensions (W/H/D): 220mm (8.7")/ 150mm (5.9")/ 15mm (0.6")
- Power Supply: None (manual adapter).
- Weight: 0.38Kg, 0.84lbs.
- To be installed in 1/2" drywall.



106.1 (4.2")
BETWEEN DRYWALL STUDS



176.3 (9.5")
BETWEEN DRYWALL SUPPORTS



PUSH TO OPEN