



Model: WALL-SMART FOR Q.1/Q.3
BY Berker ©

Family: WALL-SMART

DWG NO. 10-04-078-SPC



Model No.: 10-01-078

PRODUCT SPEC.

REVISION A

DATE 04/30/2013

Make Your Wall Smart

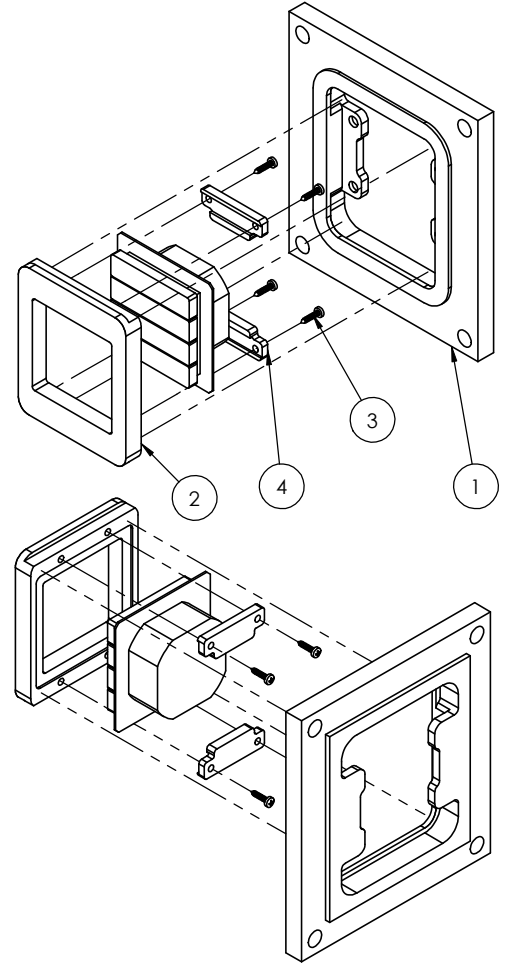
Wall-Smart for BERKER Q.1/Q.3 KEYPAD - Product description:

The Wall-Smart for BERKER Q.1/Q.3 is an adapter for in-wall flush installation of a Q.1/Q.3 keypad.

The Wall-Smart for Q.1/Q.3 keypad securely mounts the keypad while allowing easy access, insertion and operation.

Key features and benefits:

- Flush with the wall.
- Paintable with the wall paint in any color and texture.
- Allows easy insertion and removal of the keypad by manual push and magnet detachment of the keypad tray.
- The adapter is supplied unpainted (To be painted after installation as part of the wall).
- Installation of the Wall-Smart adapter is straight-forward. Installation process is similar to drywall construction procedures.
- Designed for the use with Q.1/Q.3 keypad (by Berker©) (keypad not included).
- Adapter kit contains:
 1. Wall adapter;
 2. Keypad adapter;
 3. (4x) ST2.9 Screw;
 4. (2x) Retainer;



Key properties:

- Dimensions (W/H/D): 141.3 mm (5.56")/ 156.3mm (6.15")/ 16.6mm (0.65")
- Power Supply: None (manual adapter).
- Weight: 0.17Kg, 0.375pounds.
- To be installed in ½" drywall.

