



Model: WALL-SMART FOR BE-GTx4x.01
by MDT ©

Family: WALL-SMART

DWG NO. 10-04-076-SPC



Model No.: 10-01-076

PRODUCT SPEC.

REVISION A

DATE 04/30/2013

Make Your Wall Smart

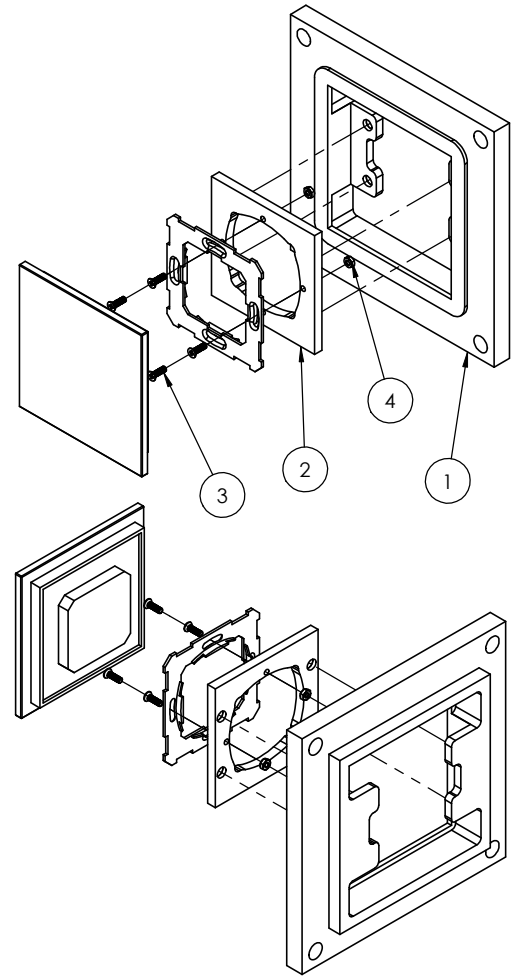
Wall-Smart for BE-GTx4x.01 - Product description:

The Wall-Smart for BE-GTx4x.01 is an adapter for in-wall flush installation of a BE-GTx4x.01 keypad.

The Wall-Smart for BE-GTx4x.01 keypad securely mounts the keypad while allowing easy access, insertion and exertion.

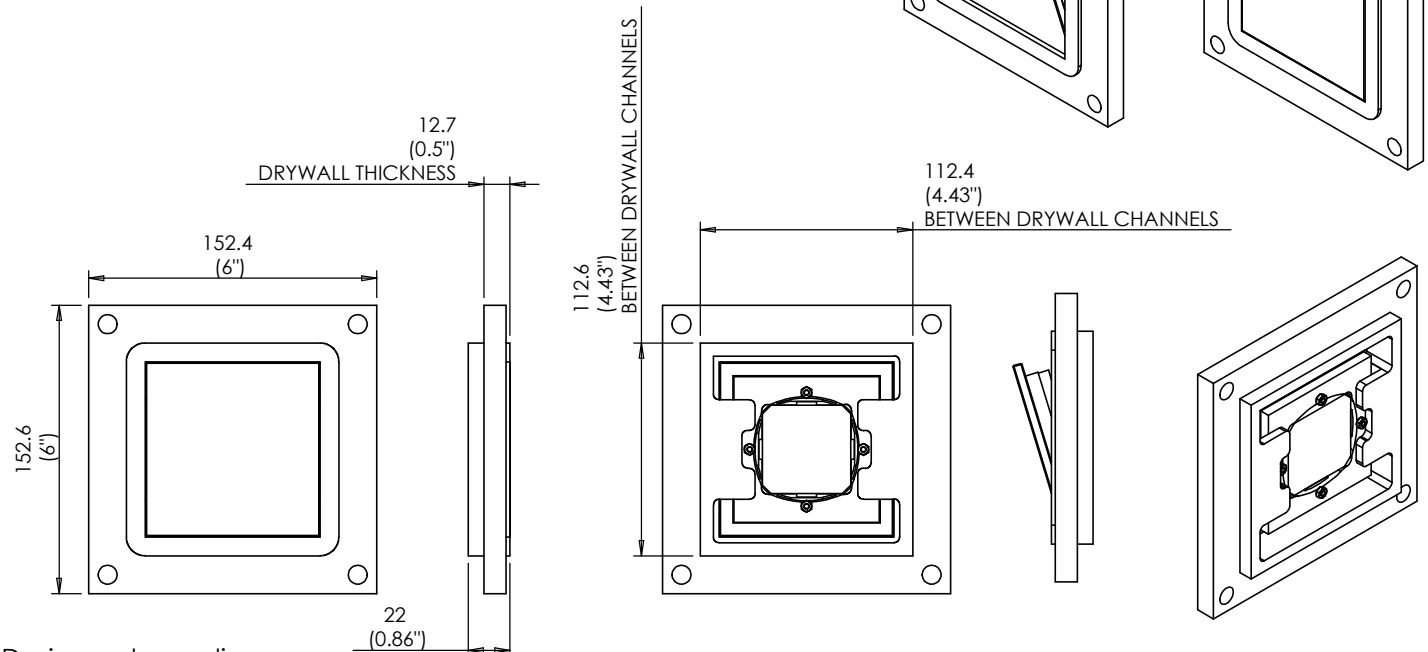
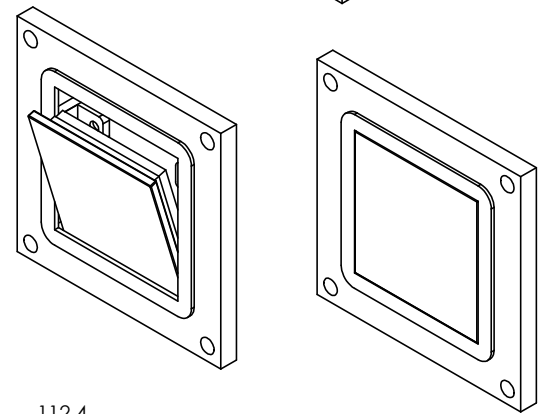
Key features and benefits:

- Flush with the wall.
- Paintable with the wall paint in any color and texture.
- Allows easy insertion and exertion of the keypad by manual push and magnet detachment of the keypad tray.
- The adapter is supplied unpainted (To be painted after installation as part of the wall).
- Installation of the Wall-Smart adapter is straight-forward. Installation process is similar to drywall construction procedures.
- Designed for the use with BE-GTx4x.01 keypad (by MDT ©) (keypad not included).
- Adapter kit contains:
 1. Wall adapter;
 2. Keypad adapter;
 3. (4x) M3 screw;
 4. (4x) M3 nut;



Key properties:

- Dimensions (W/H/D): 152.4mm (6")/ 152.6mm (6")/ 22mm (0.86")
- Power Supply: None (manual adapter).
- Weight: 0.19Kg, 0.42pounds.
- To be installed in 1/2" drywall.



Design pat. pending

by Wall-Smart

www.wall-smart.com

UNLESS OTHERWISE SPECIFIED:
DIMENSIONS ARE IN MILLIMETERS

INFORMATION CONTAINED HEREIN IS PROPRIETARY AND MAY NOT BE USED,
REPRODUCED OR COPIED WITHOUT WRITTEN CONSENT OF WALL-SMART

676a Ninth Avenue, New York, NY 10036, USA / Phone: (212) 659-0155 / Fax: (212) 656-0156 / info@wall-smart.com

SHEET 1/1