



Model: WALL-SMART FOR TS-SENSOR WITH WALL BOX BY BERKER ©

Family: WALL-SMART

DWG NO. 10-04-070-SPC



Model No.: 10-01-070

PRODUCT SPEC.

REVISION A

DATE 04/30/2013

Make Your Wall Smart

Wall-Smart for TS-Sensor with Wall Box - Product description:

The Wall-Smart for TS-Sensor with Wall Box is an adapter for in-wall flush installation of a TS-Sensor keypad.

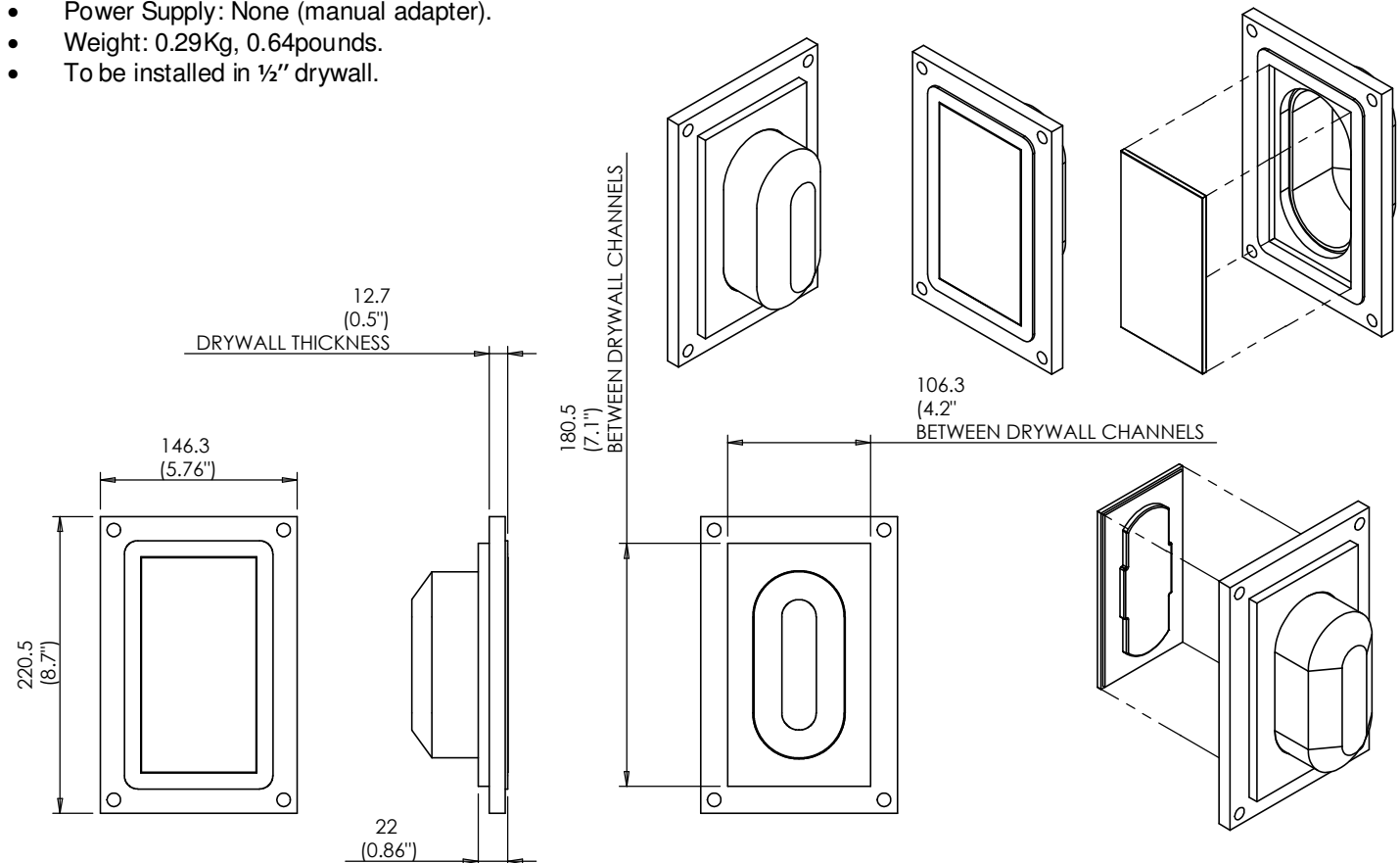
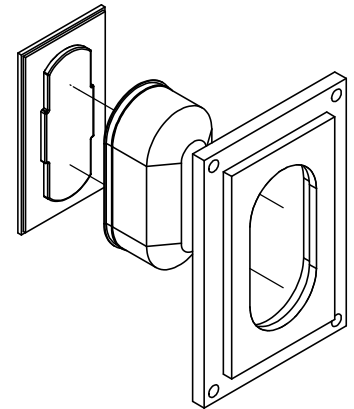
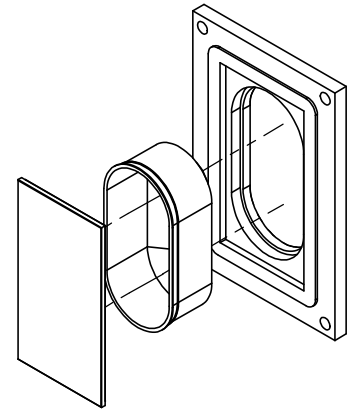
The Wall-Smart for TS-Sensor keypad securely mounts the keypad while allowing easy access, insertion and exertion.

Key features and benefits:

- Flush with the wall.
- Paintable with the wall paint in any color and texture.
- Allows easy insertion and exertion of the keypad by manual push and magnet detachment of the keypad tray.
- The adapter is supplied unpainted (To be painted after installation as part of the wall).
- Installation of the Wall-Smart adapter is straight-forward. Installation process is similar to drywall construction procedures.
- Designed for the use with TS-Sensor keypad (by Berker ©) (keypad not included).
- Adapter kit contains:
 1. Wall adapter;

Key properties:

- Dimensions (W/H/D): 146.3mm (5.76")/ 220.5mm (8.7")/ 22mm (0.86")
- Power Supply: None (manual adapter).
- Weight: 0.29Kg, 0.64pounds.
- To be installed in ½" drywall.



Design pat. pending