



Model: WALL-SMART FOR ST-6BRL-NI  
BY Lutron ©

Family: WALL-SMART

DWG NO. 10-04-060-SPC



Model No.: 10-01-060

PRODUCT SPEC.

REVISION B

DATE 04/30/2013

## Make Your Wall Smart

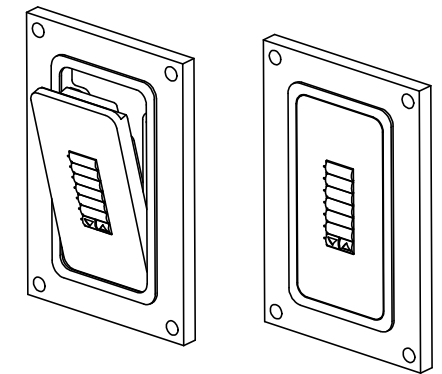
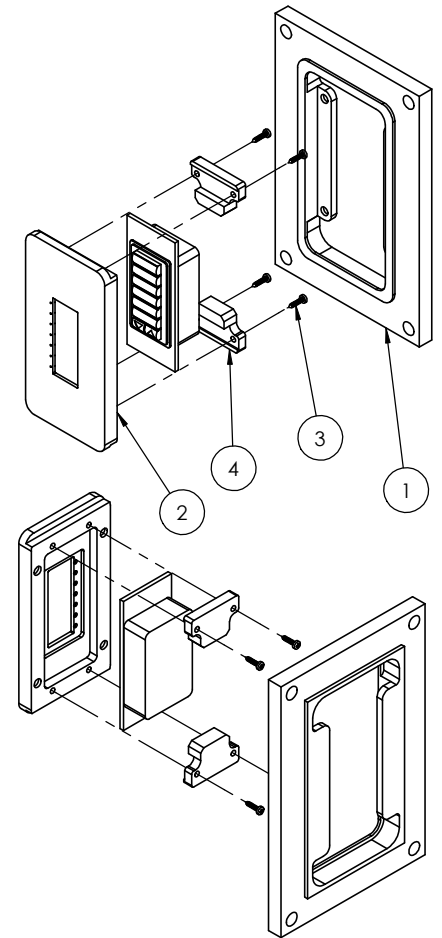
### Wall-Smart for ST-6BRL-NI KEYPAD - Product description:

The Wall-Smart for ST-6BRL-NI is an adapter for in-wall flush installation of a ST-6BRL-NI keypad.

The Wall-Smart for ST-6BRL-NI keypad securely mounts the keypad while allowing easy access, insertion and operation.

### Key features and benefits:

- Flush with the wall.
- Paintable with the wall paint in any color and texture.
- Allows easy insertion and removal of the keypad by manual push and magnet detachment of the keypad tray.
- The adapter is supplied unpainted (To be painted after installation as part of the wall).
- Installation of the Wall-Smart adapter is straight-forward. Installation process is similar to drywall construction procedures.
- Designed for the use with ST-6BRL-NI keypad (by Lutron©) (keypad not included).
- Adapter kit contains:
  1. Wall adapter;
  2. Keypad adapter;
  3. (4x) ST2.9 Screw;
  4. (2x) Retainer;



### Key properties:

- Dimensions (W/H/D): 134.6 mm (5.3")/ 203.2mm (8")/ 16.6mm (0.65")
- Power Supply: None (manual adapter).
- Weight: 0.17Kg, 0.375pounds.
- To be installed in 1/2" drywall.

