



Model: WALL-SMART FOR TS-SENSOR
BY BERKER ©

Family: WALL-SMART

DWG NO. 10-04-056-SPC



Model No.: 10-01-056

PRODUCT SPEC.

REVISION A

DATE 04/30/2013

Make Your Wall Smart

Wall-Smart for TS-Sensor - Product description:

The Wall-Smart for TS-Sensor is an adapter for in-wall flush installation of a TS-Sensor keypad.

The Wall-Smart for TS-Sensor keypad securely mounts the keypad while allowing easy access, insertion and exertion.

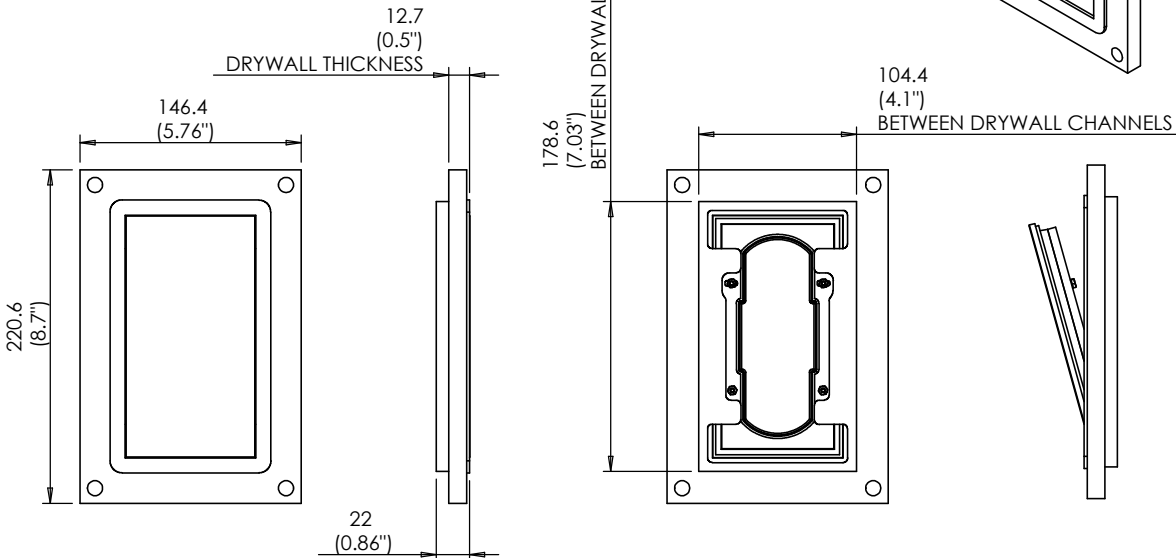
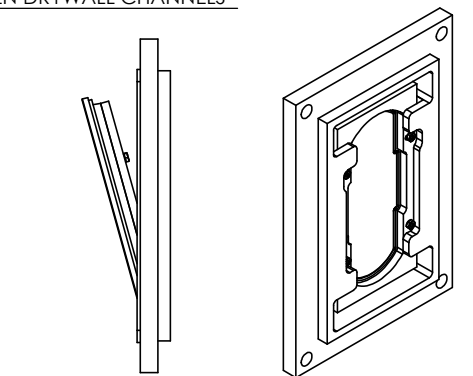
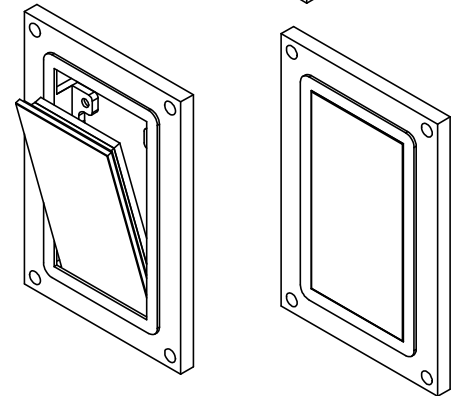
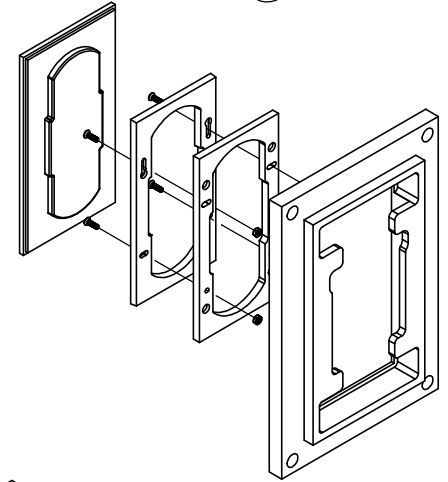
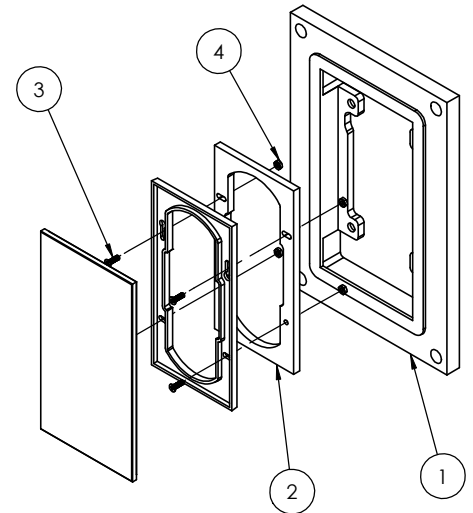
Key features and benefits:

- Flush with the wall.
- Paintable with the wall paint in any color and texture.
- Allows easy insertion and exertion of the keypad by manual push and magnet detachment of the keypad tray.
- The adapter is supplied unpainted (To be painted after installation as part of the wall).
- Installation of the Wall-Smart adapter is straight-forward. Installation process is similar to drywall construction procedures.
- Designed for the use with TS-Sensor keypad (by Berker ©) (keypad not included).
- Adapter kit contains:

1. Wall adapter;
2. Keypad adapter;
3. (4x) M3 screw;
4. (4x) M3 nut;

Key properties:

- Dimensions (W/H/D): 146.4mm (5.76")/ 220.6mm (8.7")/ 22mm (0.86")
- Power Supply: None (manual adapter).
- Weight: 0.29Kg, 0.64pounds.
- To be installed in 1/2" drywall.



Design pat. pending