



Model: WS Concrete Box 406x364

Family: WALL-SMART

DWG NO. 10-04-048-SPC

Model No.: 10-01-048

PRODUCT SPEC.

REVISION B

DATE Apr./29/2014



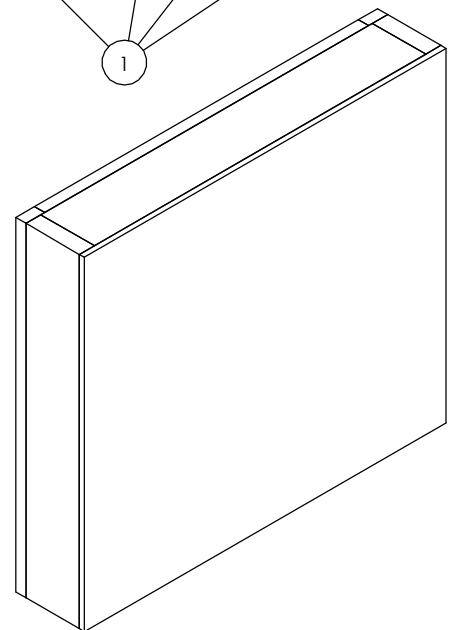
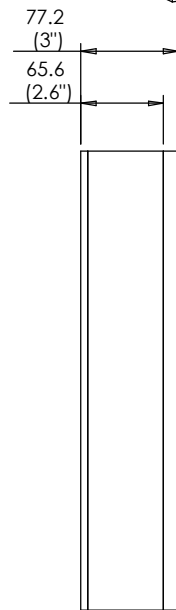
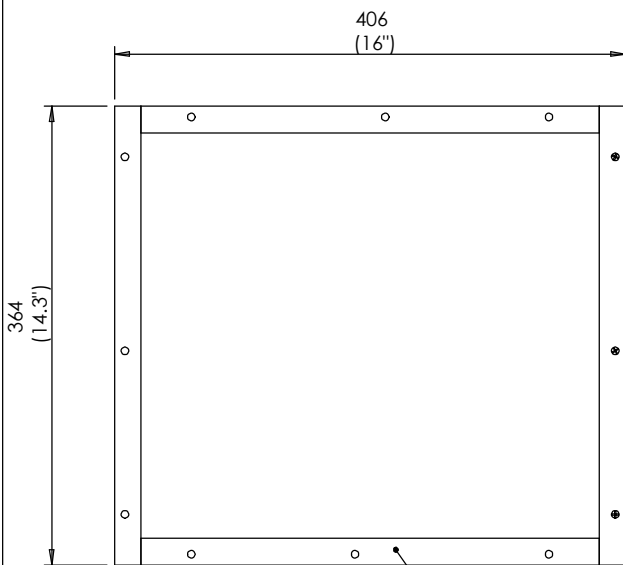
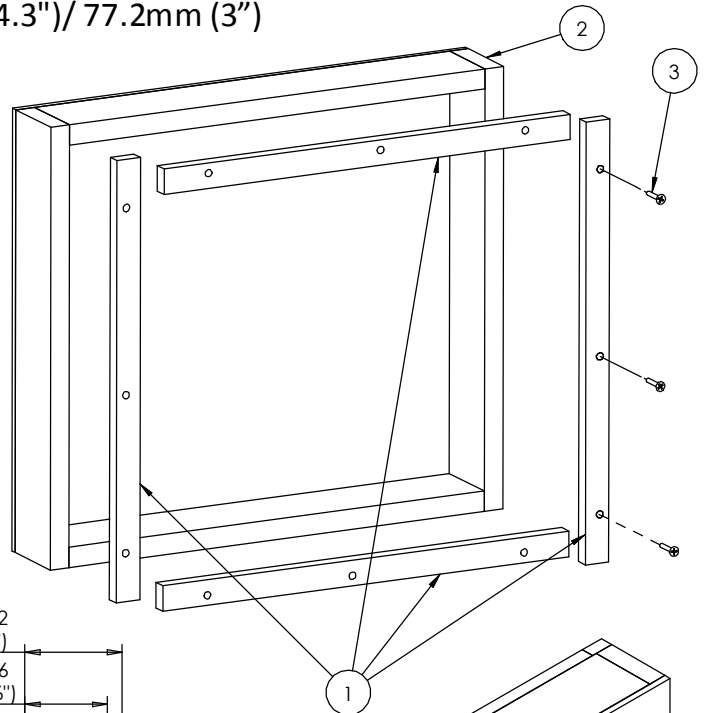
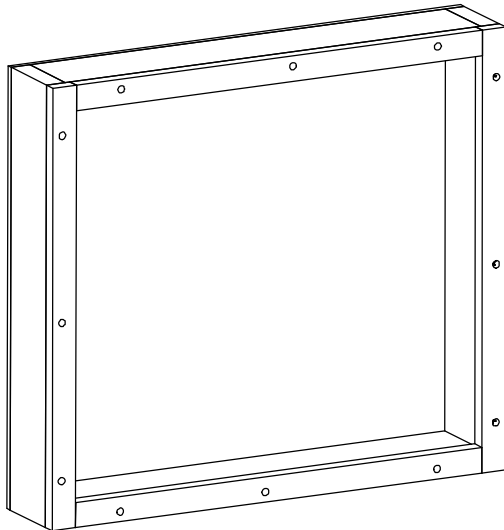
Make Your Wall Smart

Wall-Smart concrete/block installation box:

- Designed to support Wall-Smart wall mounts in concrete/block walls.
- Wall should be plastered up to the front frame segments (item #1).
- Front frame segments (item #1) should be removed after the wall was plastered (to be replaced with the adapter).
- **For low voltage use only.**
- Before installation, read Wall-smart installation instruction No. 10-01-00103-INS

Key properties:

- Material: MOISTURE RESISTANT MDF
- Dimensions (W/H/D): 406mm (16")/ 364mm (14.3")/ 77.2mm (3")
- Weight: 1.85Kg, (4.08lbs).



PLASTER WALL UP TO THIS SURFACE