



Model: WALL-SMART FOR C2N-CBD + ASCENT by Crestron ©

Family: WALL-SMART

DWG NO. 10-04-045-SPC



Model No.: 10-01-045

PRODUCT SPEC.

REVISION B

DATE 18/Nov./2013

Make Your Wall Smart

Wall-Smart for C2N-CBD+ASCENT KEYPAD - Product description:

The Wall-Smart for C2N-CBD+ASCENT is an adapter for in-wall flush installation of a C2N-CBD+ASCENT keypad.

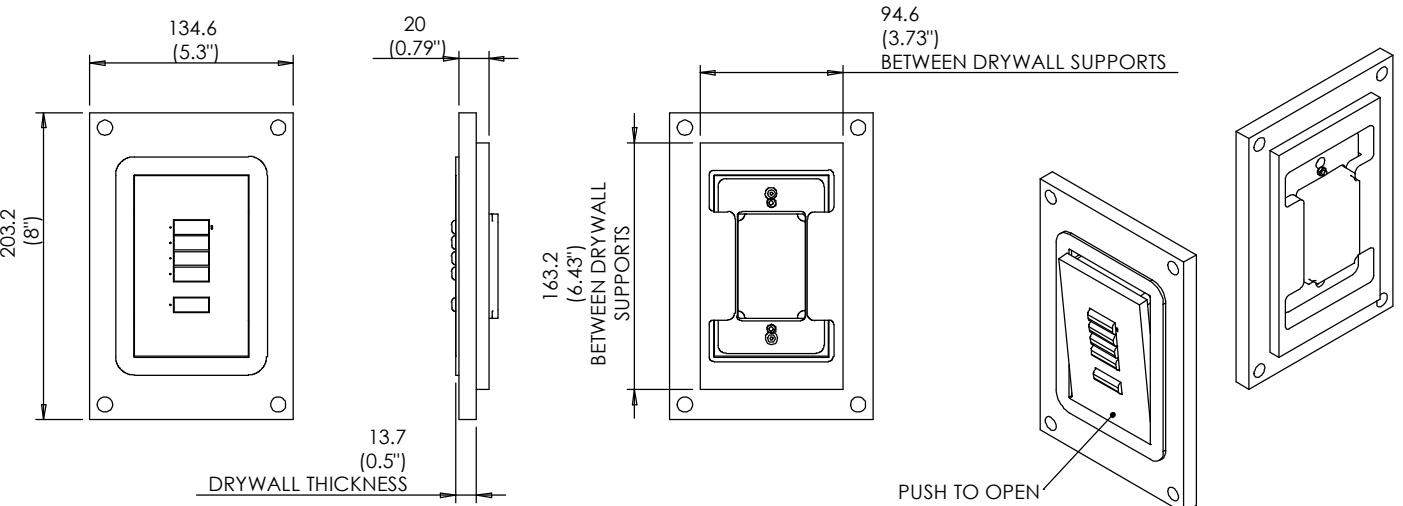
The Wall-Smart for C2N-CBD+ASCENT keypad securely mounts the keypad while allowing easy access, insertion and removal.

Key features and benefits:

- Flush with the wall.
- Paintable with the wall paint in any color and texture.
- Allows easy insertion and removal of the keypad by manual push and magnet detachment of the keypad adaptor.
- The wall mount is supplied unpainted (To be painted after installation as part of the wall).
- Designed to be installed in ½" drywall. Installation of the Wall-Smart adapter is straight-forward. Installation process is similar to drywall construction procedures. Before installation, read Wall-Smart installation instruction 10-04-00101-INS in <http://www.wall-smart.com/faq>
- For installation in concrete/block wall use "WS Concrete Box 204x135" P/N 10-01-115 (sold separately) according installation instruction 10-04-00103-INS in <http://www.wall-smart.com/faq>
- Designed for the use with C2N-CBD+ASCENT keypad (by Crestron©) (keypad not included).
- Adapter kit contains:
 1. Wall adapter;
 2. Keypad adapter;
 3. M3 screw (x2)
 4. M3 nut (x2)

Key properties:

- Dimensions (W/H/D): 134.6 mm (5.3")/ 203.2mm (8")/ 20mm (0.79")
- Power Supply: None (manual adapter).
- Weight: 0.3Kg, 0.7lbs.
- To be installed in ½" drywall.



Design pat. pending

by Wall-Smart

www.wall-smart.com

UNLESS OTHERWISE SPECIFIED:
DIMENSIONS ARE IN MILLIMETERS

Phone: (201) 205-2056 / info@wall-smart.com

INFORMATION CONTAINED HEREIN IS PROPRIETARY AND MAY NOT BE USED,
REPRODUCED OR COPIED WITHOUT WRITTEN CONSENT OF WALL-SMART

SHEET 1/1