



Model: WALL-SMART FOR C2NI-CB-W-T  
by CRESTRON®

Family: WALL-SMART

DWG NO. 10-04-031-SPC



Model No.: 10-01-031

PRODUCT SPEC.

REVISION B

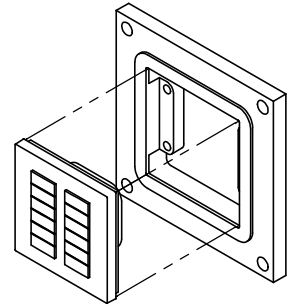
DATE 11/14/2012

## Make Your Wall Smart

### Wall-Smart for C2NI-CB-W-T KEYPAD - Product description:

The Wall-Smart for C2NI-CB-W-T is an adapter for in-wall flush installation of a C2NI-CB-W-T keypad.

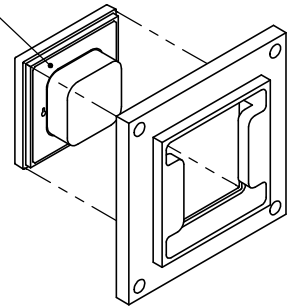
The Wall-Smart for C2NI-CB-W-T keypad securely mounts the keypad while allowing easy access, insertion and exertion.



### Key features and benefits:

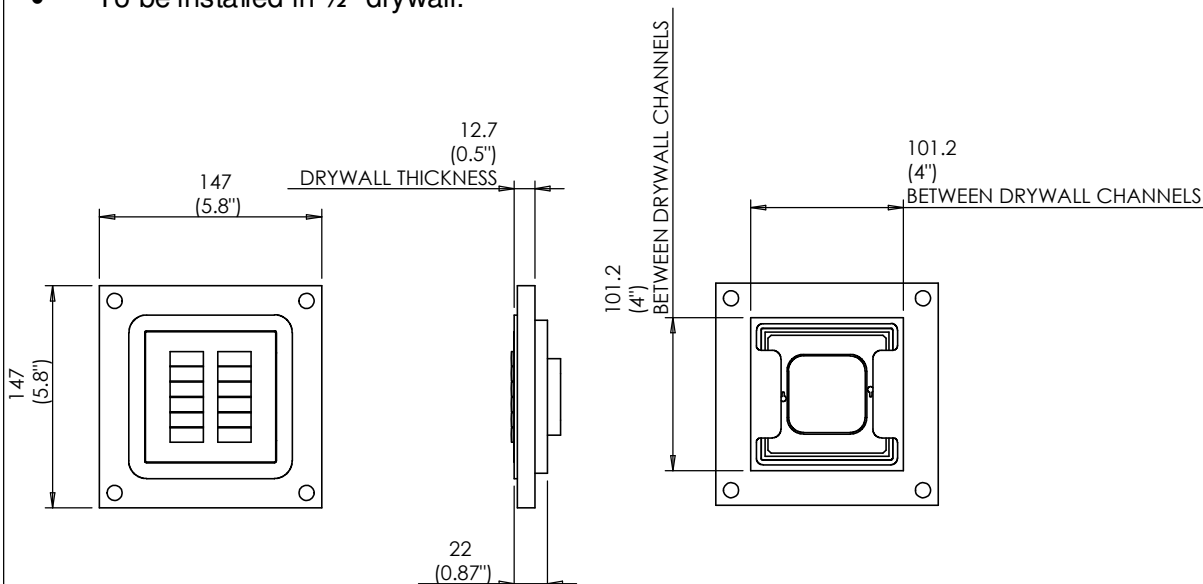
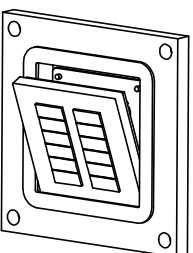
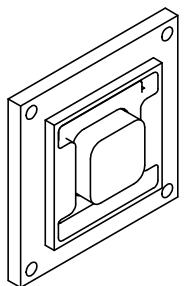
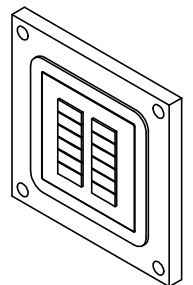
- Flush with the wall.
- Paintable with the wall paint in any color and texture.
- Allows easy insertion and exertion of the keypad by manual push and magnet detachment of the keypad tray.
- The adapter is supplied unpainted (To be painted after installation as part of the wall).
- Installation of the Wall-Smart adapter is straight-forward. Installation process is similar to drywall construction procedures.
- Designed for the use with C2NI-CB-W-T keypad (by CRESTRON ©) (keypad not included).

ATTACH KEYPAD TO ITS MOUNTING PLATE BEFORE INSERTION INTO WALL-SMART ADAPTOR ACCORDING CRESTRON OPERATION & INSTALLATION GUIDE - DOC. 6626A, PAGE 13



### Key properties:

- Dimensions (W/H/D): 147mm (5.8")/ 147mm (5.8")/ 22mm (0.87")
- Power Supply: None (manual adapter).
- Weight: 0.3Kg, 0.7pounds.
- To be installed in 1/2" drywall.



Design pat. pending

by Wall-Smart

www.wall-smart.com

UNLESS OTHERWISE SPECIFIED:  
DIMENSIONS ARE IN MILLIMETERS

INFORMATION CONTAINED HEREIN IS PROPRIETARY AND MAY NOT BE USED,  
REPRODUCED OR COPIED WITHOUT WRITTEN CONSENT OF WALL-SMART

676a Ninth Avenue, New York, NY 10036, USA / Phone: (212) 659-0155 / Fax: (212) 656-0156 / info@wall-smart.com

SHEET 1/1