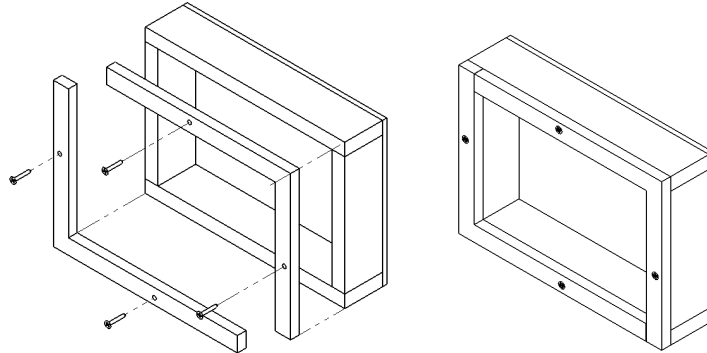




Wall-Smart concrete/brick installation box installation instruction

D/N	10-04-00103-INS	REV.	DATE
P/N	Applies to all models	A	18/sep./2013



General

- Designed to support Wall-Smart wall mounts in concrete/brick walls.
- Wall-Smart concrete/ brick installation box: "WS box"
- Each Wall-Smart wall mount model has a matching WS box model.
- **For low voltage use only.**

Safety

- Use a dust mask to avoid getting dust particles in your lungs.
- Wear eye protection to avoid getting dust particles in your eyes.
- Turn off the power in areas you'll be drilling to avoid electric shock.
- Use plastic or canvas drop cloths to prevent the sanding dust from damaging nearby furniture or spreading beyond your immediate work area.

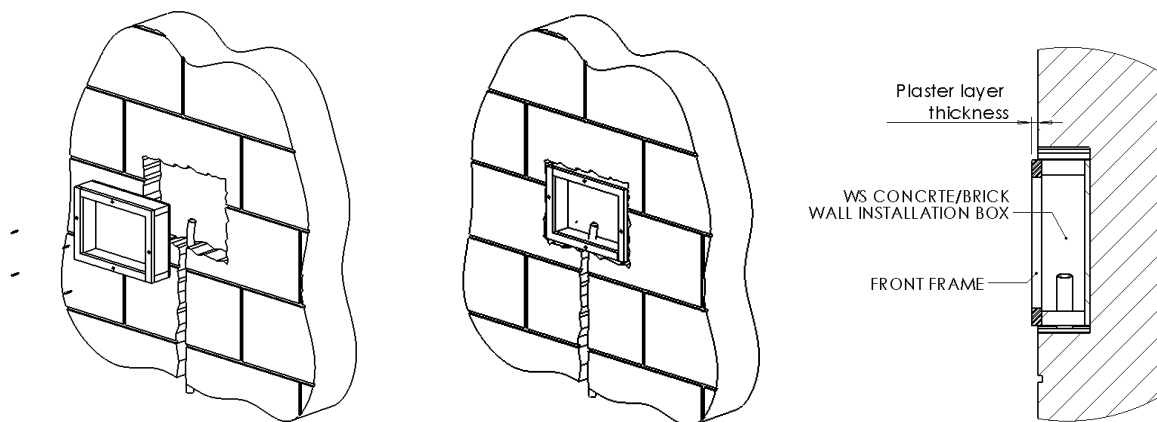
Installation Tools and materials:

- Safety goggles
- Dust mask
- Screwdriver
- Measuring tape
- Utility knife/saw
- Leveler
- Brush \ sponge roller
- Spatula
- Spackle tray
- Coarse Rasp
- Drywall T-square
- Taping or joint knife
- Sandpaper
- #6 bugle head screws
- Setting-type compound
- Drywall mud or joint compound
- Drywall Paper tape
- Paint

Installation procedure:

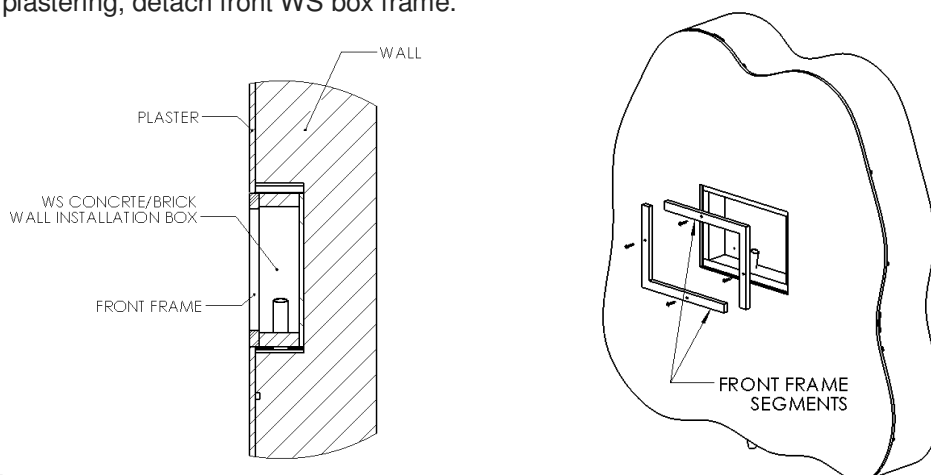
Step 1 – Box mounting

- Determine where the Wall-Smart mount will be located.
- Create a cavity in the concrete/brick wall.
- Rout adequate cabling to the installation point (in accordance with your local electric regulations).
- Retain WS box inside the cavity. Front WS box frame should protrude out of the cavity.



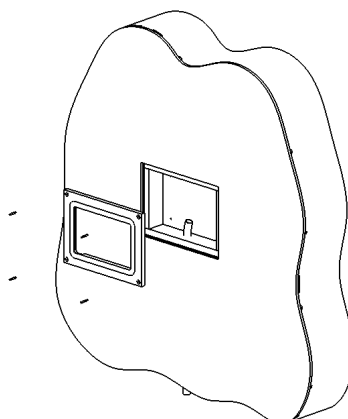
Step 2 – Wall plastering

- Plaster the wall. Level the plaster with the front frame of the WS box.
- After plastering, detach front WS box frame.



Step 3 – Install Wall-Smart wall mount

- Fit the Wall-Smart mount into the opening ensuring it is positioned square.
- Fix Wall-Smart mount through the holes located on its perimeter using #6 bugle head screws.
- Proceed Wall-Smart wall mount installation according the relevant wall mount installation instruction, paragraph "MUD AND TAPE"



Wall-Smart ltd. - LIMITED WARRANTY

WALL-SMART LTD. - (hereafter Manufacturer) warrants its Wall-Smart products to be free from manufacturing defects in materials and workmanship for one (1) year following the date of sale. Manufacturer will, within said period, at its option and in accordance with the terms of this Limited Warranty, repair or replace any product failing to operate correctly without charge to the original purchaser or user. In case of defect, contact the professional who installed the product. In order to exercise the warranty, the product must be returned by the user or purchaser, shipping costs prepaid and insured to Manufacturer. Manufacturer will not be responsible for any dismantling or reinstallation changes.

This warranty shall not apply to any equipment, or any part thereof, which has been repaired by others, improperly installed, improperly used, abused, altered, damaged, subjected to acts of God, or on a product in which the fault does not prevent the use of the product at the installation site. Manufacturer shall only be responsible for the quality of the color of the product if painted at the Manufacturer production facility.

There is no express or implied warranty of merchantability or warranty of fitness for a particular purpose. Any action for breach of warranty, including but not limited to any implied warranty of merchantability, must be brought within the six months following the end of the warranty period. In no case shall Manufacturer be liable to anyone for any consequential or incidental damages for breach of this or any other warranty, express or implied, even if the loss or damage is caused by the Manufacturer's own negligence or fault.

In no event shall Manufacturer be liable for an amount in excess of Manufacturer's original selling price of the product, for any loss or damage, whether direct, indirect, incidental, consequential, or otherwise arising out of any failure of the product. **CONSEQUENTLY, ED SHALL HAVE NO LIABILITY FOR ANY PERSONAL INJURY, PROPERTY DAMAGE, OR OTHER LOSS BASED ON A CLAIM RELATED TO THE PRODUCT FAILURE.** Manufacturer's warranty, as herein above set forth, shall not be enlarged, diminished or affected by - and no obligation or liability shall arise or grow out of - Manufacturer's rendering of technical advice or service in connection with Buyers order of the goods furnished hereunder.

This warranty contains the entire warranty. Additionally, this warranty is in lieu of all other obligations or liabilities on the part of Manufacturer it is the sole warranty and any prior agreements or representations, whether oral or written, are either merged herein or are expressly canceled. Manufacturer neither assumes, nor authorizes any other person purporting to act on its behalf to modify, to change, or to assume for it, any other warranty or liability concerning its products.

Some states do not allow limitations on how long an implied warranty lasts or do not allow the exclusion or limitation of incidental or consequential damages, or differentiate in their treatment of limitations of liability for ordinary or gross negligence, so the above limitations or exclusions may not apply to you. This Warranty gives you specific legal rights and you may also have other rights that vary from state to state.

Upon request, Manufacturer will provide a report on the repair of a returned product.

For the following serial no. _____

Date of sale: _____

Place of sale / Dealer: _____