



Model: INVISIBLE MOUNT FOR iPad PRO 10.5" SOLID BOARD

Family: WALL-SMART

DWG NO. 10-01-802-SPC

Model No.: 10-01-802

PRODUCT SPEC.

REVISION A

DATE 11/MAY/2017



**Make Your Wall Smart**

**"INVISIBLE MOUNT FOR iPad PRO 10.5" SOLID BOARD" - Product description:**

The "INVISIBLE MOUNT FOR iPad PRO 10.5" SOLID BOARD" is an adapter for in-wall flush installation of iPad PRO 10.5".

The "INVISIBLE MOUNT FOR iPad PRO 10.5" SOLID BOARD" firmly mounts the iPad PRO 10.5" while allowing easy insertion, removal and operation.

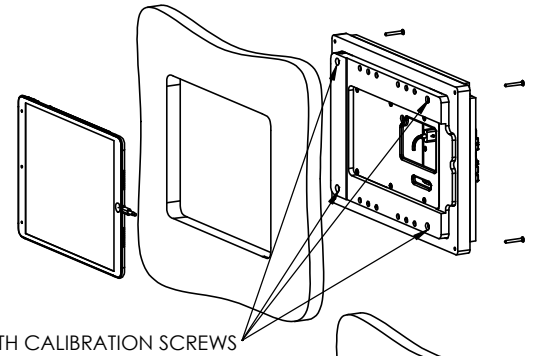
**Key features and benefits:**

- Flush with the solid surface wall.
- Wall mount may be mounted in any orientation.
- The iPad home button remains accessible.
- Allows easy insertion and removal of the iPad.
- Wall mount contains depth calibration screws allowing installation in solid surface boards of 10.3 [0.4"] up to 26.8 [1.06"] thickness.
- See page 2 for routing dimensions.
- Designed for the use with iPad PRO 10.5" (by Apple) (iPad is not included).
- Adapter kit contains:
  1. (X1) Wall adapter;
  2. (X2) Wall-Smart rubber pads;
  3. (X1) Wall-Smart Pad Positioning Template

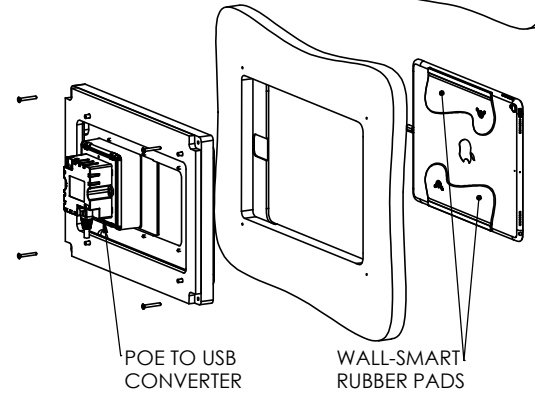
**Key properties:**

- Dimensions: (W/H/D): 303.48mm (11.95")/ 205.68mm (8.1")/ 72.25mm (2.84")
- Power Supply: Wall mount includes POE to USB converter.  
The installer should connect the wall mount to an IEEE 802.3af POE power source via CAT5/6 cable and RJ45 connector
- Weight: 1.1Kg, 2.42lbs.
- Material: Moisture resistant MDF

iPad® is a trademark of Apple Inc., registered in the U.S. and other countries.

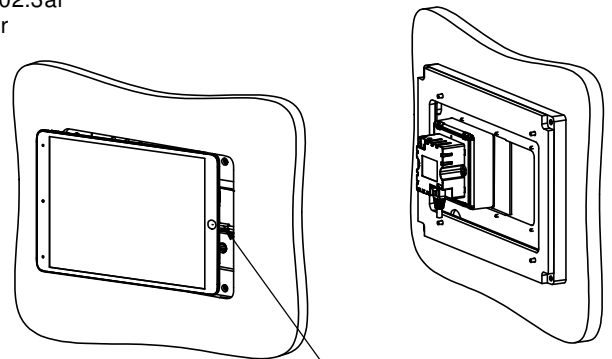


DEPTH CALIBRATION SCREWS

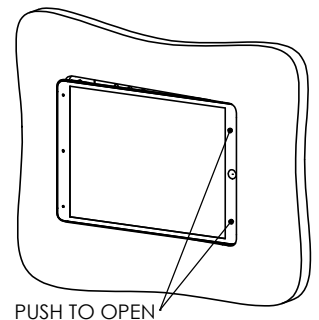
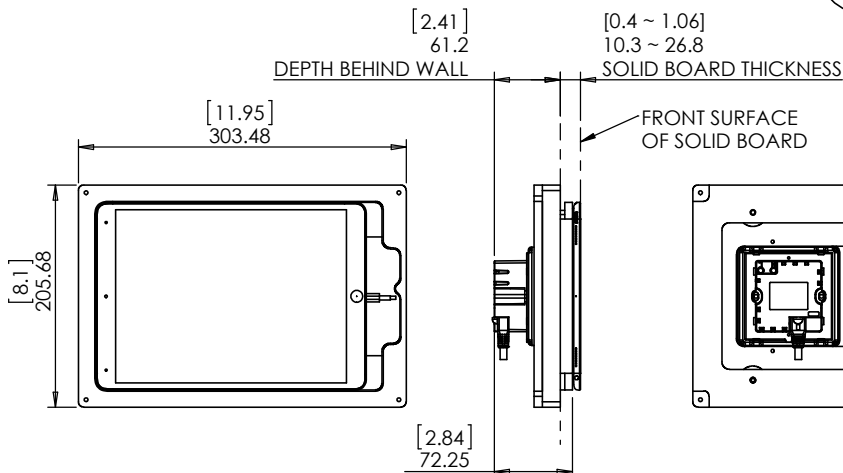


POE TO USB CONVERTER

WALL-SMART RUBBER PADS



TO MOUNT THE iPad INSERT APPLE CONNECTOR AND MAGNETICALLY DROP iPad IN PLACE.



PUSH TO OPEN

[0.33]  
8.5

[0.409]  
(X4) R10.4



Model:	INVISIBLE MOUNT FOR iPad PRO 10.5" SOLID BOARD
Model No.:	10-01-802

Family:	WALL-SMART
DWG NO.	10-01-802-SPC
PRODUCT SPEC.	REVISION A
	DATE 11/MAY/2017



### CUTOUT ROUTING TEMPLATE

VIEW FROM INNER SIDE OF SOLID BOARD

SCALE 1:1

CONTACT WALL-SMART FOR DXF FILE

[ 9.897 -0.008 ]  
+0.012  
+0.3  
251.38 -0.2  
ROUTE THRU

[ 6.885 -0.008 ]  
+0.012  
+0.3  
174.88 -0.2  
ROUTE THRU

by Wall-Smart Ltd. www.wall-smart.com	UNLESS OTHERWISE SPECIFIED: DIMENSIONS ARE IN MILLIMETERS Phone: (201) 205-2056 / info@wall-smart.com	INFORMATION CONTAINED HEREIN IS PROPRIETARY AND MAY NOT BE USED, REPRODUCED OR COPIED WITHOUT WRITTEN CONSENT OF WALL-SMART	SHEET 2/4
--	---	--	-----------

<https://www.wall-smart.com/uploads/2/4/1/6/24165207/10-01-802-template.dxf>

[1.06]  
27  
ROUTE TO DEPTH  
1mm OFF FRONT  
SURFACE

[11.14]  
283  
ROUTE TO DEPTH  
3mm OFF FRONT  
SURFACE

[7.55]  
191.7

[0.33]  
8.5

[11.40]  
289.5



Model: INVISIBLE MOUNT FOR iPad PRO 10.5" SOLID BOARD

Family: WALL-SMART

DWG NO. 10-01-802-SPC



Model No.: 10-01-802

PRODUCT SPEC.

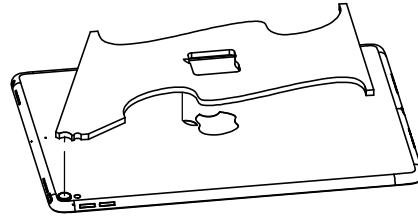
REVISION A

DATE 11/MAY/2017

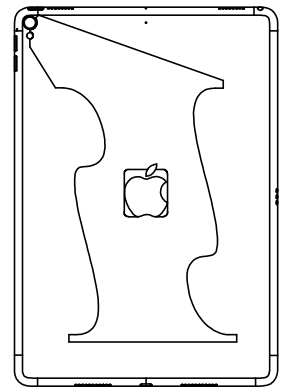
### Wall-Smart rubber pads installation:

1. Clean iPads back surface.

2. Position template.



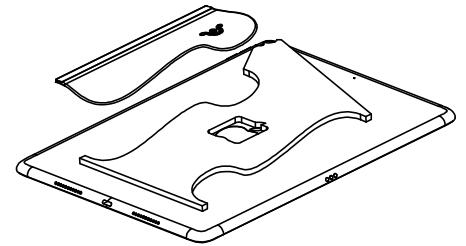
3. Align template cutouts with Apple logo and cam lens housing.



4. Remove protective tape of a rubber pad back adhesive.

5. Align rubber pad to template while maintaining the position of the template.

6. Adhere the rubber pad to the iPad gradually from template to the iPad edge

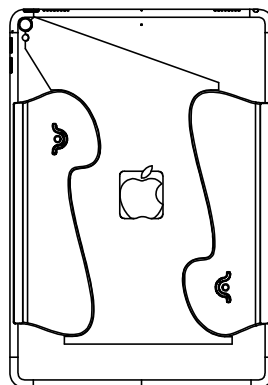
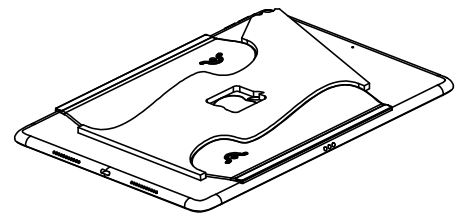


7. Press down from the center of the rubber pad and towards the pad edges to remove air bubbles.

8. Push down the edges of the rubber pad to close all gaps.

9. Repeat steps 4-8 for the second rubber pad.

10. Remove the template and wait 6mins before mounting.





Model: INVISIBLE MOUNT FOR iPad PRO 10.5" SOLID BOARD

Family: WALL-SMART

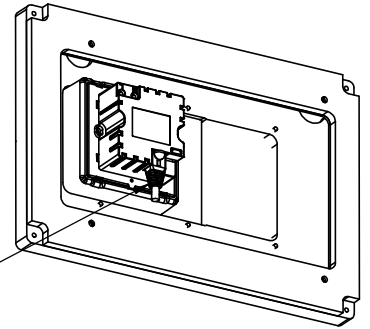
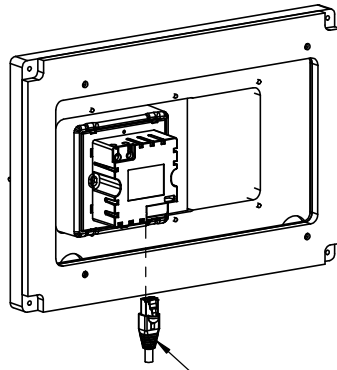
DWG NO. 10-01-802-SPC

Model No.: 10-01-802

PRODUCT SPEC.

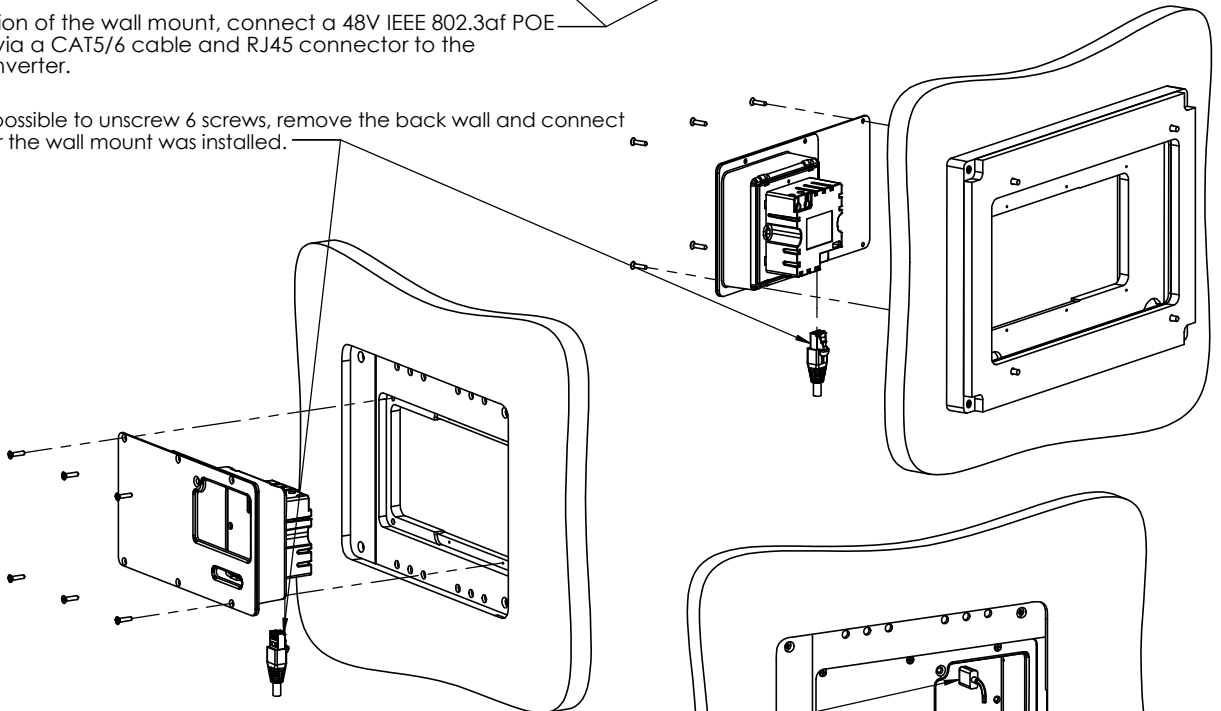
REVISION A

DATE 11/MAY/2017



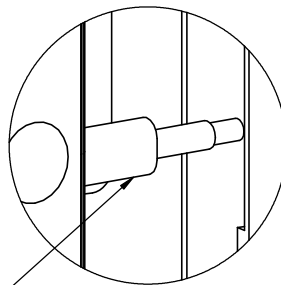
Before installation of the wall mount, connect a 48V IEEE 802.3af POE power source via a CAT5/6 cable and RJ45 connector to the POE to USB converter.

If required, it is possible to unscrew 6 screws, remove the back wall and connect POE cable after the wall mount was installed.



Connect iPad USB cable to POE to USB converter

Organize the cable in the cable tray



Connect lightning connector to the iPad and insert iPad