



Model: WS FOR CRESTRON TS-1542

Family: WALL-SMART

DWG NO. 10-01-528-SPC

Model No.: 10-01-528

PRODUCT SPEC.

REVISION A

DATE 22/Dec./2015



### Make Your Wall Smart

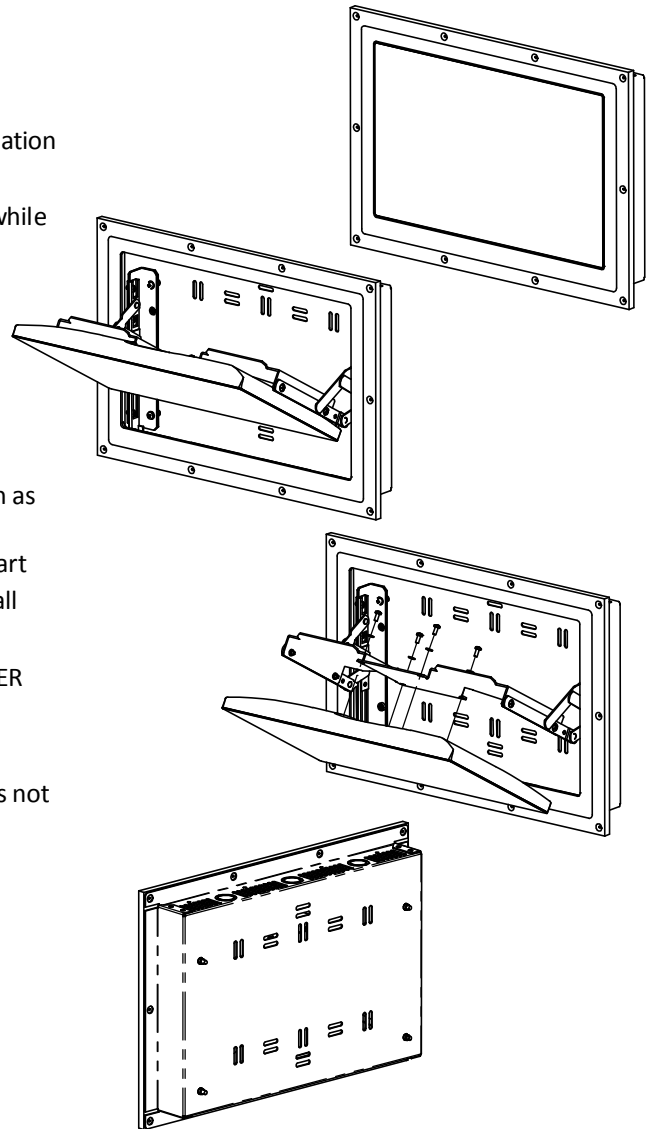
#### “WS FOR CRESTRON TS-1542” - Product description:

The “WS FOR CRESTRON TS-1542” is an adapter for in-wall flush installation of TS-1542 touch screen.

The “WS FOR CRESTRON TS-1542” securely mounts the touch screen while allowing easy insertion, removal and operation.

#### Key features and benefits:

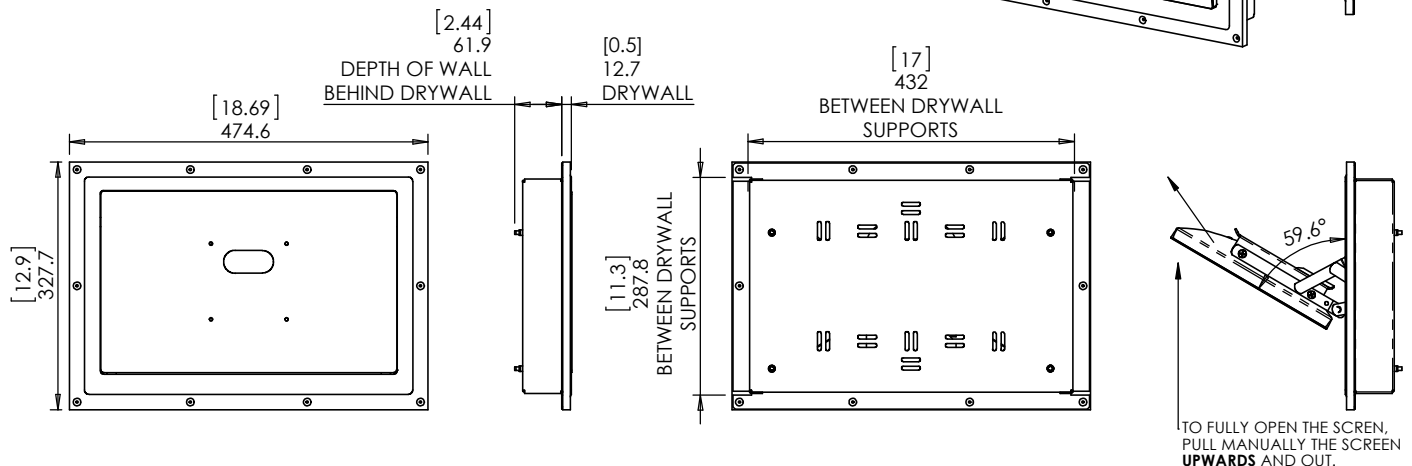
- Flush with the wall.
- Paintable with the wall paint in any color and texture.
- Allows easy insertion and removal of the touch screen.
- The adapter is supplied unpainted (To be painted after installation as part of the wall).
- Designed to be installed in ½” drywall. Installation of the Wall-Smart adapter is straight-forward. Installation process is similar to drywall construction procedures.
- For installation in concrete/block wall use “WS CONCRETE ADAPTER 528” P/N 10-01-532 (sold separately) according to installation instruction 10-04-00103-INS in <http://www.wall-smart.com/faq>
- Designed for the use with TS-1542 (by CRESTRON) (touch screen is not included).
- Adapter kit contains:
  1. (X1) Wall adapter;
  2. (X2) suction cups;
  3. (X4) M4x10 screws
  4. (X4) M4 flat washer



#### Key properties:

- Dimensions: (W/H/D): 474.6mm (18.69")/ 327.7mm (12.9") / 75mm (2.95")
- Weight: 3.3Kg (7.26lbs).
- Material: Zinc plated carbon steel and Moisture resistant MDF
- To be installed in ½” drywall (for installation in 5/8” drywall use 1/8” shim pack P/N 10-01-067 (sold separately)).

TO OPEN THE SCREEN, APPLY A SUCTION CUP (INCLUDED). ATTACH THE SUCTION CUP AND PULL OUT THE SCREEN UP TO AN ANGLE THAT ALLOWS HOLDING BOTH SIDES OF THE SCREEN MANUALLY.





Model: WS FOR CRESTRON TS-1542

Family: WALL-SMART

DWG NO. 10-01-528-SPC

Model No.: 10-01-528

PRODUCT SPEC.

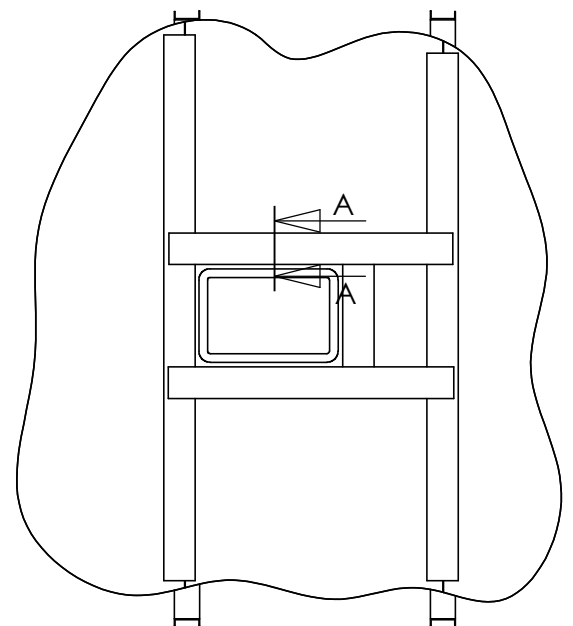
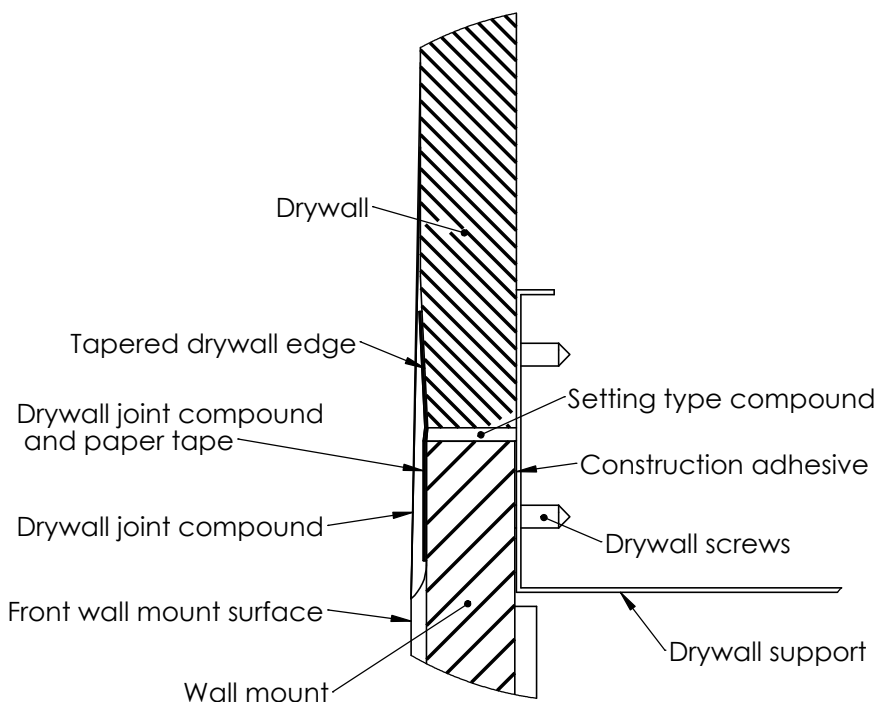
REVISION A

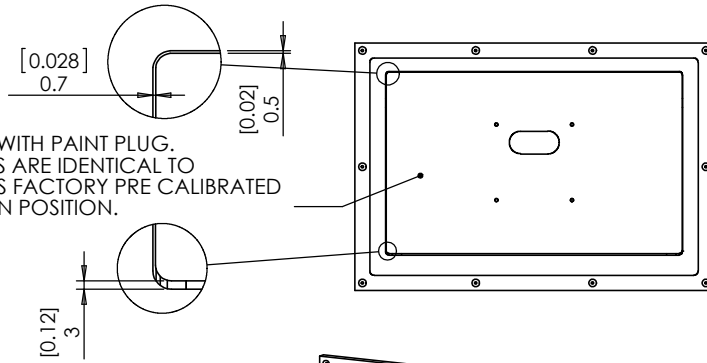
DATE 22/Dec./2015



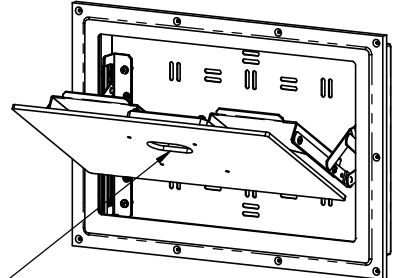
### Wall mount installation in drywall:

- Before installing the wall mount, make sure that appropriate cables are routed to the installation area.
- Width between drywall studs (vertical drywall supports) should be 432mm [17"]. Width between horizontal supports: 288mm [11.3"]
- Make sure the adapter is installed on firm supports. A good practice would be to apply construction adhesive between adapter and supports.
- The wall mount is supplied with a protective plug covering the front wall mount opening. Remove plug only after finished painting.
- Perform at least level 4 drywall finish per ASTM C 840.
- In case of level 5 finish (skim coat), mask adapter opening during skim coat application and sand adapter front surface until front adapter edge is visible clean green.
- The wall mount was designed for 1/2" drywall. In case the wall-mount should be installed in 5/8" drywall, you may use "WS 1/8" Shim pack" P/N 10-01-067 (sold separately).
- Apply setting-type compound to gaps between adapter and drywall.
- Apply fine premixed drywall joint compound and drywall paper tape (**not a mesh tape**).
- Avoid applying joint compound to the wall mount front surface. Sand off joint compound covering front wall mount surface.
- Let the setting-type compound and joint compound + paper tapes to dry over night.
- Apply 1st drywall joint compound layer and let dry over night.
- Apply 2nd drywall joint compound layer and let dry over night.
- In some cases as 3rd drywall joint compound layer is required for touch-up.
- Avoid heating installation point by blowers. Let joint compound dry in ambient room temperature.
- Avoid washing the wall during installation. Damp cloth may be used to clean the area.
- Sand adapter and drywall compound using fine sand paper until front surface of the adapter is visible clean green.
- Avoid spray painting. Do not paint internal surfaces.
- Before inserting the touch screen clean the wall mount internal surfaces of any joint compound or paint.



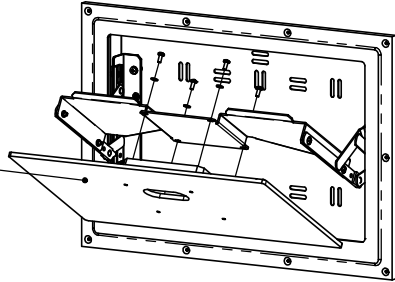


WALL MOUNT SUPPLIED WITH PAINT PLUG. PAINT PLUG DIMENSIONS ARE IDENTICAL TO TS-1542 SCREEN AND IT IS FACTORY PRE CALIBRATED TO THE CORRECT SCREEN POSITION.

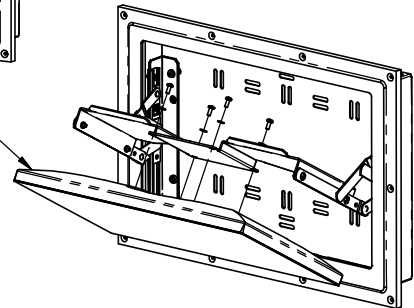


OPEN THE PAINT PLUG BY PULLING THE PAINT PLUG HANDLE

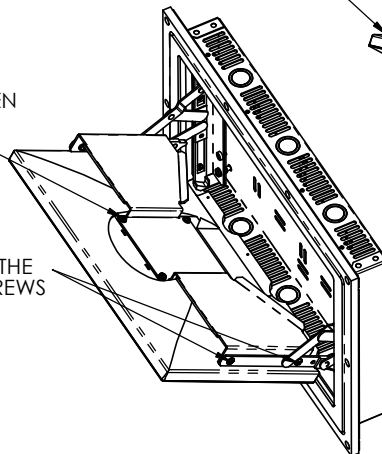
AFTER INSTALLING THE WALL MOUNT DISASSEMBLE THE PAINT PLUG BY UNSCREWING 4 M4 SCREWS



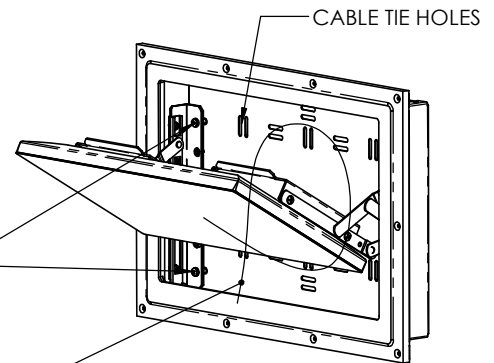
INSTALL SCREEN USING 4 M4X10 SCREWS AND 4 M4 WASHERS (INCLUDED) (DO NOT TIGHTEN THE SCREWS)



CALIBRATE HORIZONTAL POSITION OF THE SCREEN AND SLIGHTLY TIGHTEN THE SCREWS.



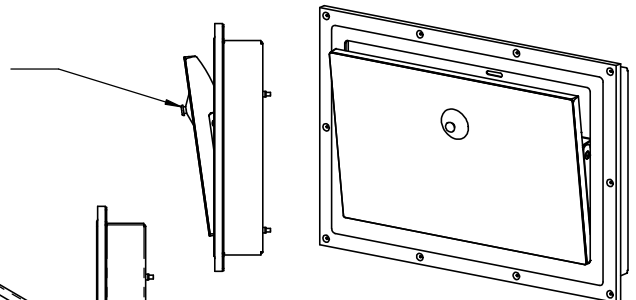
IF REQUIRED, CALIBRATE VERTICAL POSITION OF THE SCREEN BY ADJUSTING POSITION OF THESE 4 SCREWS ON BOTH SIDES OF THE SCREEN. **BEWARE, ALLOW AT LEAST A 2.2mm GAP AT THE BOTTOM OF THE SCREEN.**



IF REQUIRED, CALIBRATE SCREEN DEPTH BY ROTATING THESE 4 SCREWS ON BOTH SIDES OF THE SCREEN. **BEWARE, TO ALLOW THE SCREEN TO CLOSE PROPERLY THESE SCREWS SHOULD BE PROPERLY ALIGNED (A SINGLE SCREW SHOULD NOT BE TOO LOW OR TOO HIGH).**

OPTIONAL DIGITAL MEDIA CABLE ROUTE

TO OPEN THE SCREEN, APPLY A SUCTION CUP (INCLUDED) ATTACH THE SUCTION CUP AND **PULL OUT THE SCREEN UP TO AN ANGLE THAT ALLOWS HOLDING BOTH SIDES OF THE SCREEN MANUALLY.**



TO FULLY OPEN THE SCREEN, PULL MANUALLY THE SCREEN **UPWARDS AND OUT.**