



Model: WS RF FOR PALLADIOM SQUARE 2COL

Family: WALL-SMART

DWG NO. 507-SPC



Model No.: 507

PRODUCT SPEC.

REVISION A

DATE 22/MAY/2018

Make Your Wall Smart

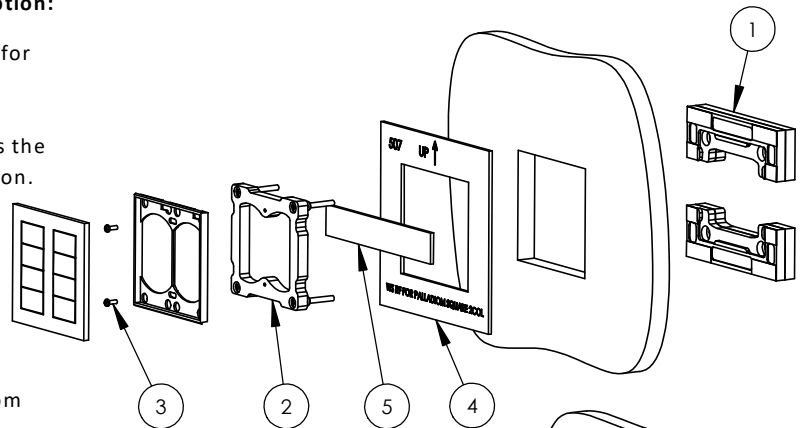
“WS RF FOR PALLADIOM SQUARE 2COL” - Product description:

The “WS RF FOR PALLADIOM SQUARE 2COL” is an adapter for in-wall nearly flush retrofit installation of 2 column square Lutron keypads.

The “WS RF FOR PALLADIOM SQUARE 2COL” firmly mounts the key pad while allowing easy insertion, removal and operation.

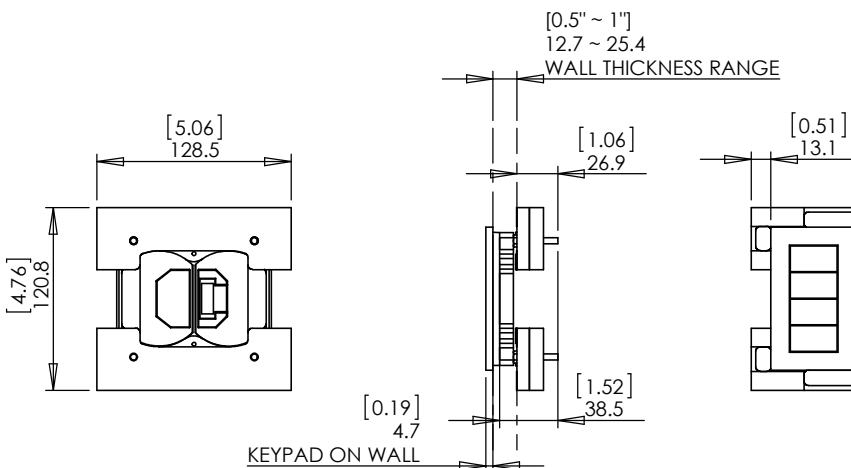
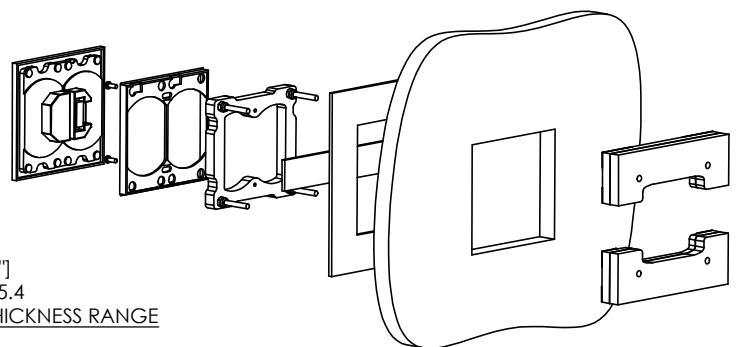
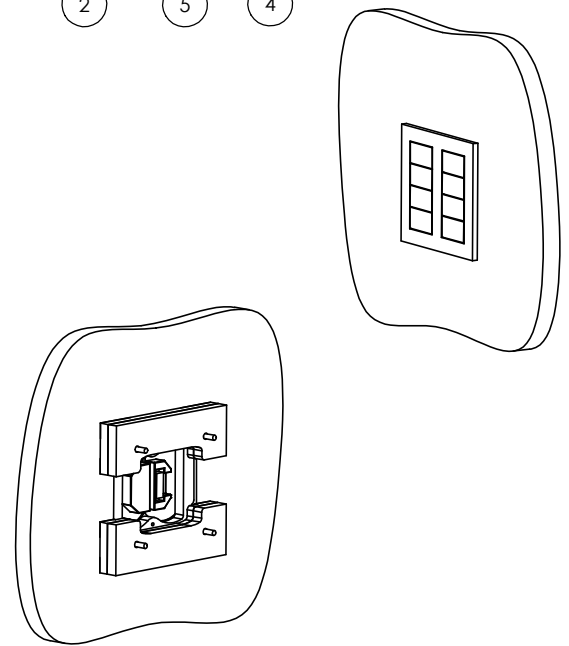
Key features and benefits:

- Nearly flush with the wall (4.7mm [0.19"] on-wall thickness).
- Allows easy insertion and removal of the keypad.
- Wall mount contains depth calibration mechanism.
- Designed to be installed in board thickness ranging from ½" up to 1".
- Designed for the use with 2 column square Lutron keypads (keypad is not included).
- Adapter kit contains:
 1. (X2) Wall mount base;
 2. (X1) Installation platform;
 3. (X2) ST3x8 screws;
 4. (X1) Template;
 5. (X1) Adhesive curing retention plate;
- Structural adhesive is not included in the wall mount kit.



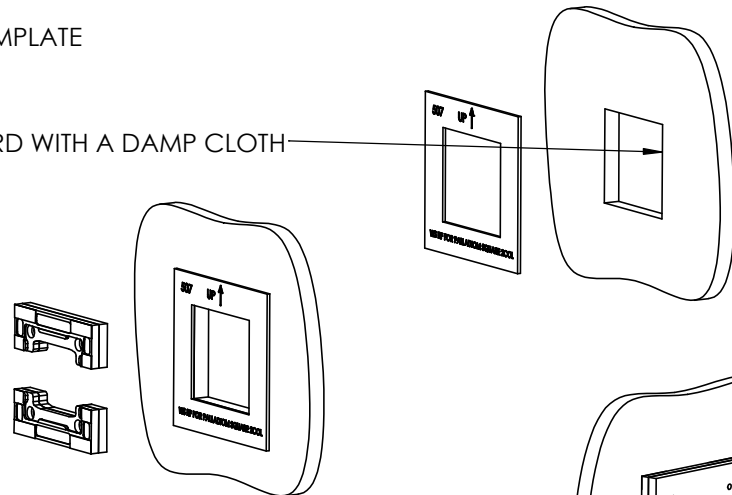
Key properties:

- Dimensions: (W/H/D): 128.5mm (5.06")/ 120.8mm (4.76")/ 38.5mm (1.52")
- Weight: 0.1Kg, 0.22lbs.
- Material: Moisture resistant MDF

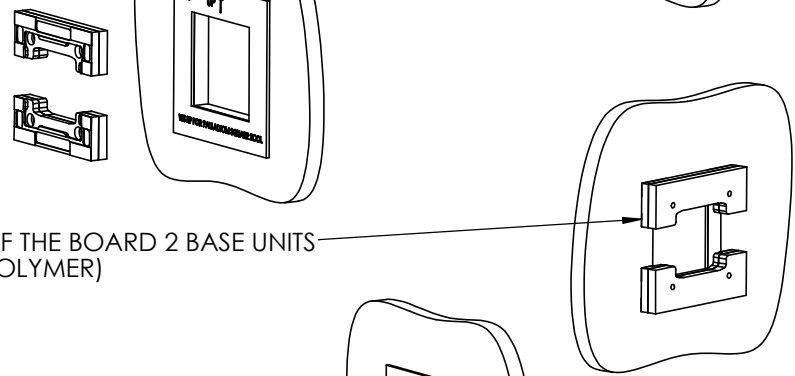




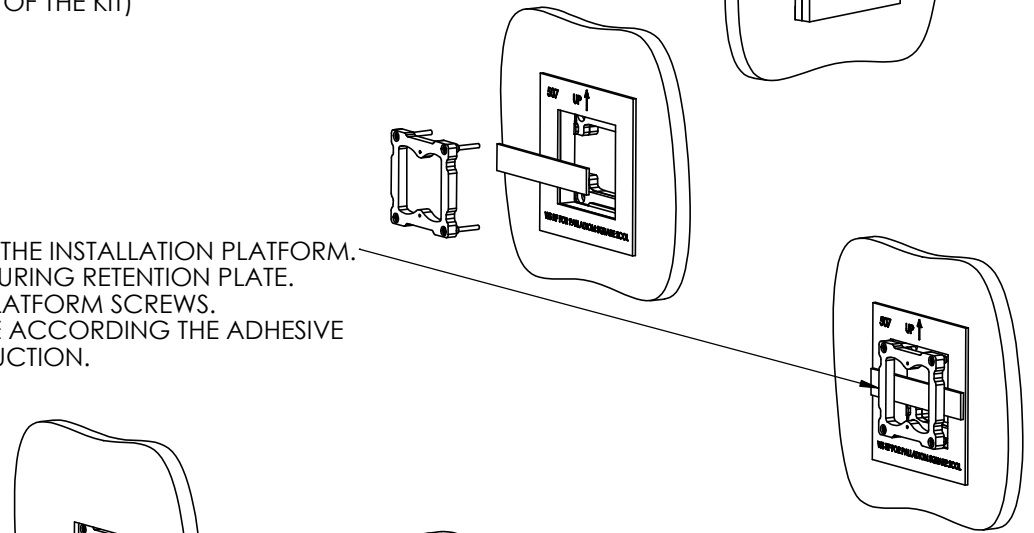
1. CUT OPENING ACCORDING THE TEMPLATE
2. ROUTE NECESSARY CABLES
3. CLEAN THE INNER SIDE OF THE BOARD WITH A DAMP CLOTH



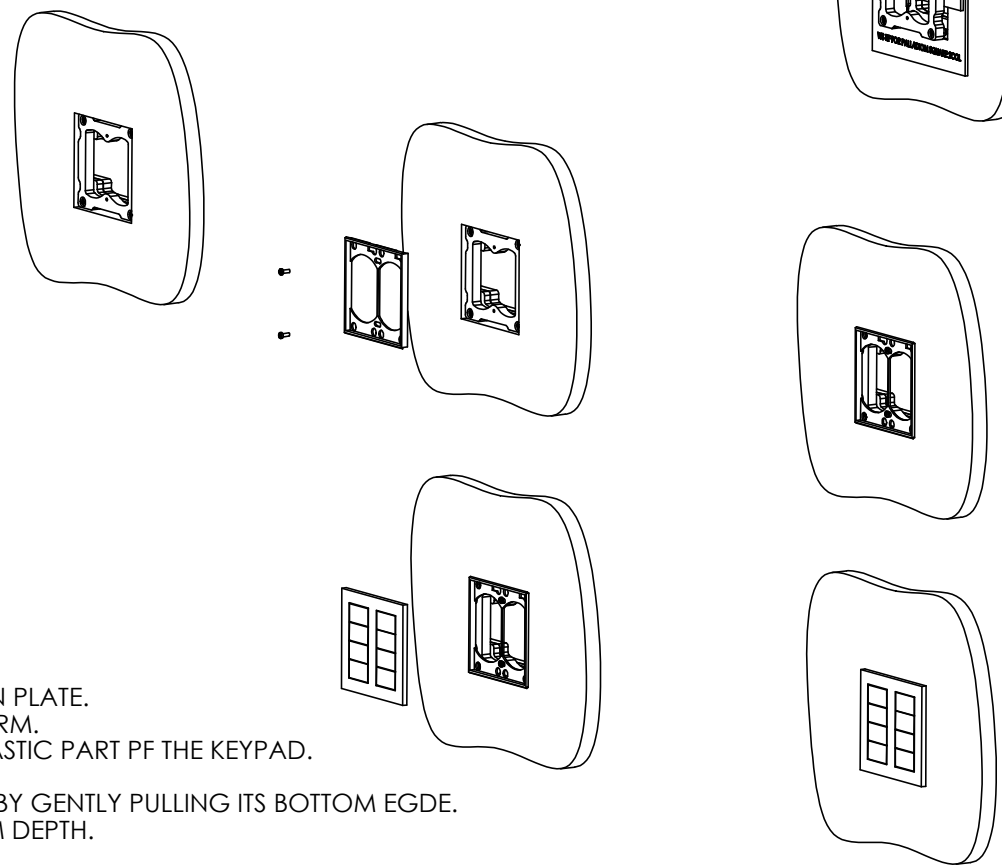
4. INSERT AND ATTACH TO THE BACK OF THE BOARD 2 BASE UNITS
APPLY STRUCTURAL ADHESIVE (MS POLYMER)
(ADHESIVE IS NOT PART OF THE KIT)



5. SCREW IN (FEW TURNS) THE INSTALLATION PLATFORM.
6. INSERT THE ADHESIVE CURING RETENTION PLATE.
7. LIGHTLY TIGHTEN THE PLATFORM SCREWS.
8. LET THE ADHESIVE CURE ACCORDING THE ADHESIVE MANUFACTURER INSTRUCTION.



9. REMOVE THE RETENTION PLATE.
10. SCREW IN THE PLATFORM.
11. ATTACH THE BACK PLASTIC PART OF THE KEYPAD.
12. CLICK IN THE KEYPAD.
13. REMOVE THE KEYPAD BY GENTLY PULLING ITS BOTTOM EDGE.
14. ADJUST THE PLATFORM DEPTH.
15. CLICK IN THE KEYPAD.





Model: WS for PALLADIOM 1G US SOLID.B

Family: WALL-SMART

DWG NO. 507-SPC

Model No.: 507

PRODUCT SPEC.

REVISION A

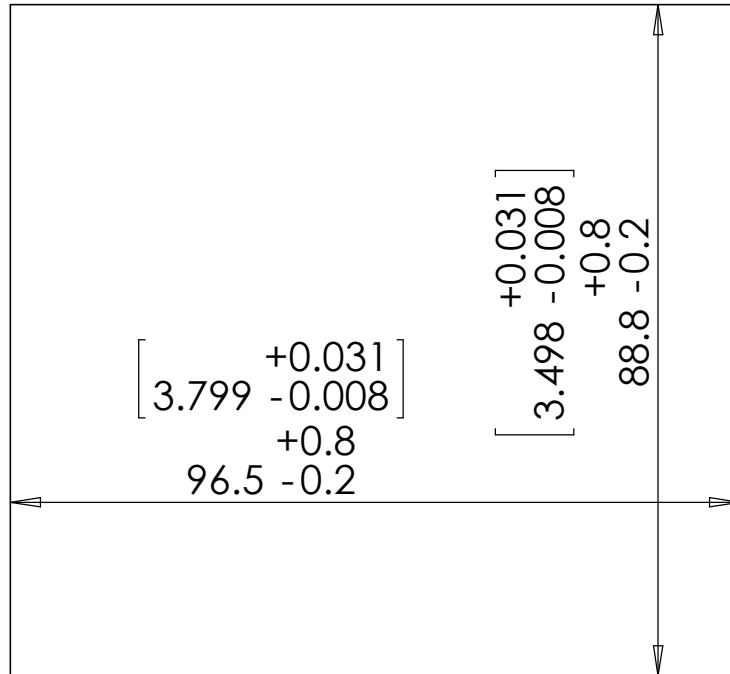
DATE 28/DEC./2015



CUTTING TEMPLATE:

507

UP



WS RF FOR PALLADIOM SQUARE 2COL

<https://www.wall-smart.com/uploads/2/4/1/6/24165207/507-template.dxf>