



Model: INVISIBLE MOUNT FOR iPad MINI4 - SOLID S.

Family: WALL-SMART

DWG NO. 10-01-300-SPC



Model No.: 10-01-300

PRODUCT SPEC.

REVISION C

DATE 29/NOV/2018

**Make Your Wall Smart**

**“INVISIBLE MOUNT FOR iPad MINI™ 4 - SOLID S.” - Product description:**

The “INVISIBLE MOUNT FOR iPad MINI™ 4 - SOLID S.” is an adapter for in-wall flush installation of iPad MINI™ 4.

The “INVISIBLE MOUNT FOR iPad MINI™ 4 - SOLID S.” firmly mounts the iPad MINI™ 4 while allowing easy insertion, removal and operation.

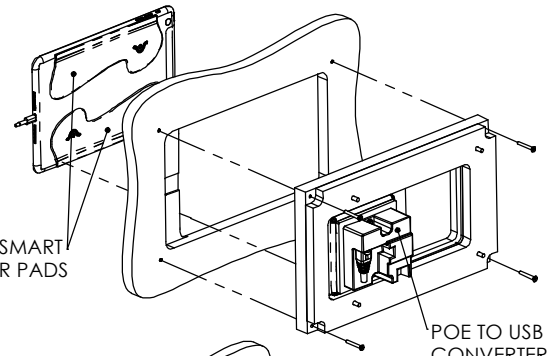
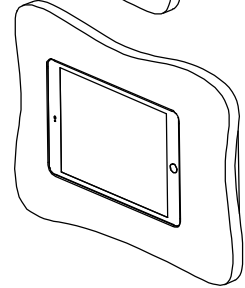
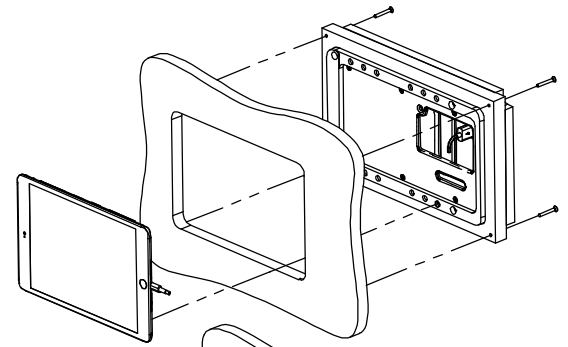
**Key features and benefits:**

- Flush with the solid surface wall.
- Wall mount may be mounted in any orientation.
- The iPad home button remains accessible.
- Allows easy insertion and removal of the iPad.
- Wall mount contains depth calibration screws allowing installation in solid surface boards of 11.6 [0.46"] up to 28.5 [1.12"] thickness.
- See page 2 for routing dimensions. Contact Wall-Smart for routing DXF file.
- Designed for the use with iPad MINI™ 4 (by Apple) (iPad is not included).
- Adapter kit contains:
  1. (X1) Wall adapter;
  2. (X2) Wall-Smart rubber pads;
  3. (X1) Wall-Smart Pad Positioning Template

**Key properties:**

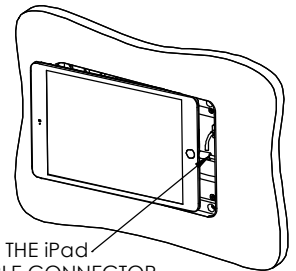
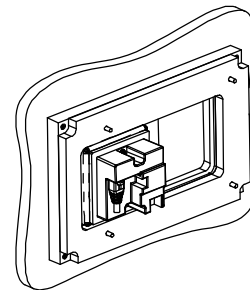
- Dimensions: (W/H/D): 264.2mm (10.4")/ 164.7mm (6.48")/ 49.6mm (3.132")
- Power Supply: Wall mount includes POE to USB converter.  
The installer should connect the wall mount to an IEEE 802.3at POE+ power source via CAT6 cable and RJ45 connector.  
(Please verify the power source can supply up to 25.5W)
- Weight: 1.1Kg, 2.42lbs.
- Material: Moisture resistant MDF

iPad® is a trademark of Apple Inc., registered in the U.S. and other countries.

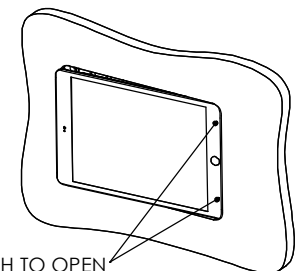


WALL-SMART RUBBER PADS

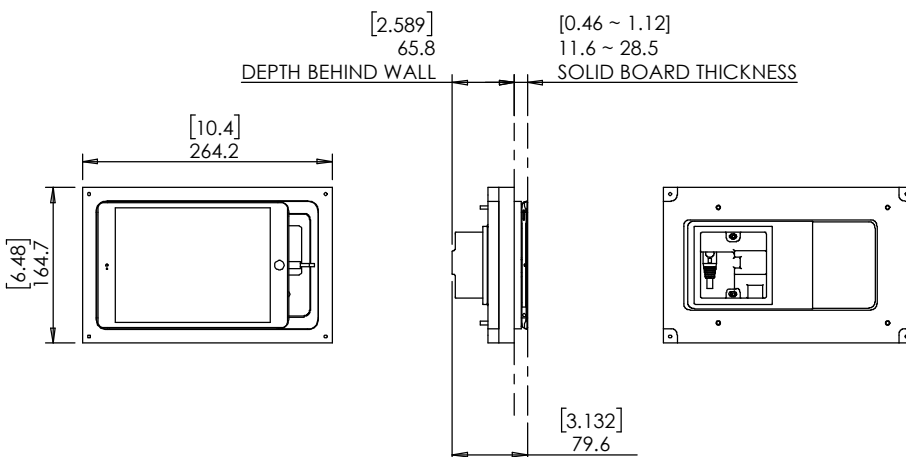
POE TO USB CONVERTER



TO MOUNT THE iPad  
INSERT APPLE CONNECTOR  
AND MAGNETICALLY DROP  
iPad IN PLACE.



PUSH TO OPEN





Model: INVISIBLE MOUNT FOR iPad MINI4 - SOLID S.

Family: WALL-SMART

DWG NO. 10-01-300-SPC

Model No.: 10-01-300

PRODUCT SPEC.

REVISION C

DATE 29/NOV/2018



MARK SCREW POINTS

7.500

[0.394]  
R10 TYP

### CUTOUT ROUTING TEMPLATE

VIEW FROM INNER SIDE OF SOLID BOARD

SCALE 1:1

CONTACT WALL-SMART FOR DXF FILE

[9.849]  
250.16

[8.038 -0.008]  
+0.012  
+0.3  
204.2 -0.2 ROUTE THRU

[5.343 +0.012 -0.008]  
+0.3  
135.7 -0.2 ROUTE THRU

[0.79 ±0.02]  
20 ±0.5  
ROUTE TO DEPTH  
1mm FROM FRONT  
SURFACE

[0.98 ±0.02]  
25 ±0.5  
ROUTE TO DEPTH  
1mm FROM FRONT  
SURFACE

[9.26 ±0.02]  
235.16 ±0.5  
ROUTE TO DEPTH  
3mm FROM FRONT  
SURFACE

[5.933]  
150.7



Model: INVISIBLE MOUNT FOR iPad MINI4 - SOLID S.

Family: WALL-SMART

DWG NO. 10-01-300-SPC



Model No.: 10-01-300

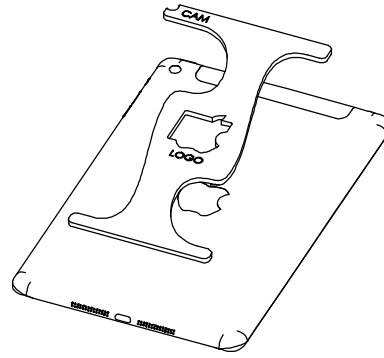
PRODUCT SPEC.

REVISION C

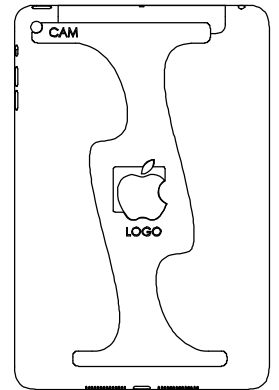
DATE 29/NOV/2018

Wall-Smart rubber pads installation:

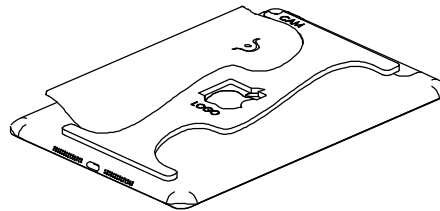
1. Clean iPads back surface.
2. Position template.



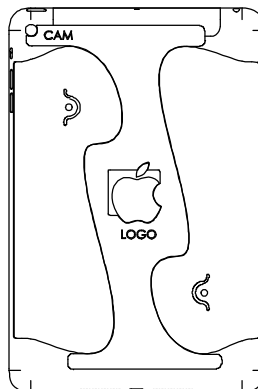
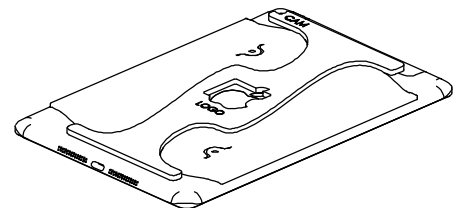
3. Align template cutouts with Apple logo and cam.



4. Remove protective tape of a rubber pad back adhesive.
5. Align rubber pad to template while maintaining the position of the template.
6. Adhere the rubber pad to the iPad gradually from template to the iPad edge.



7. Press down from the center of the rubber pad and towards the pad edges to remove air bubbles.
8. Push down the edges of the rubber pad to close all gaps.
9. Repeat steps 4-8 for the second rubber pad.
10. Remove the template and wait 6mins before mounting.





Model: INVISIBLE MOUNT FOR iPad MINI4 - SOLID S.

Family: WALL-SMART

DWG NO. 10-01-300-SPC

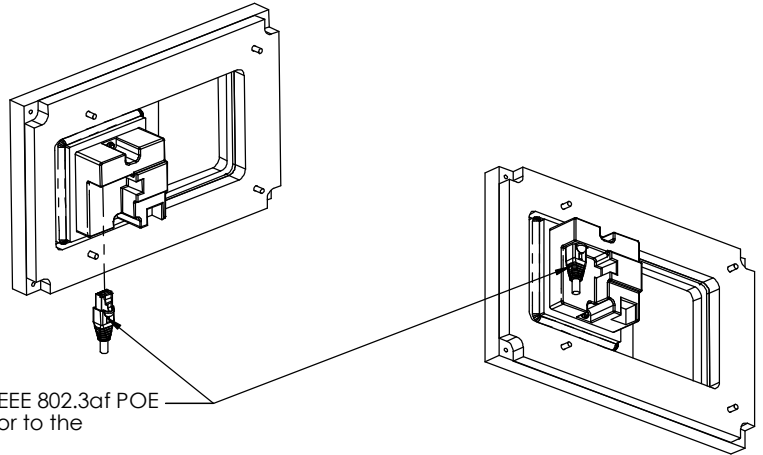


Model No.: 10-01-300

PRODUCT SPEC.

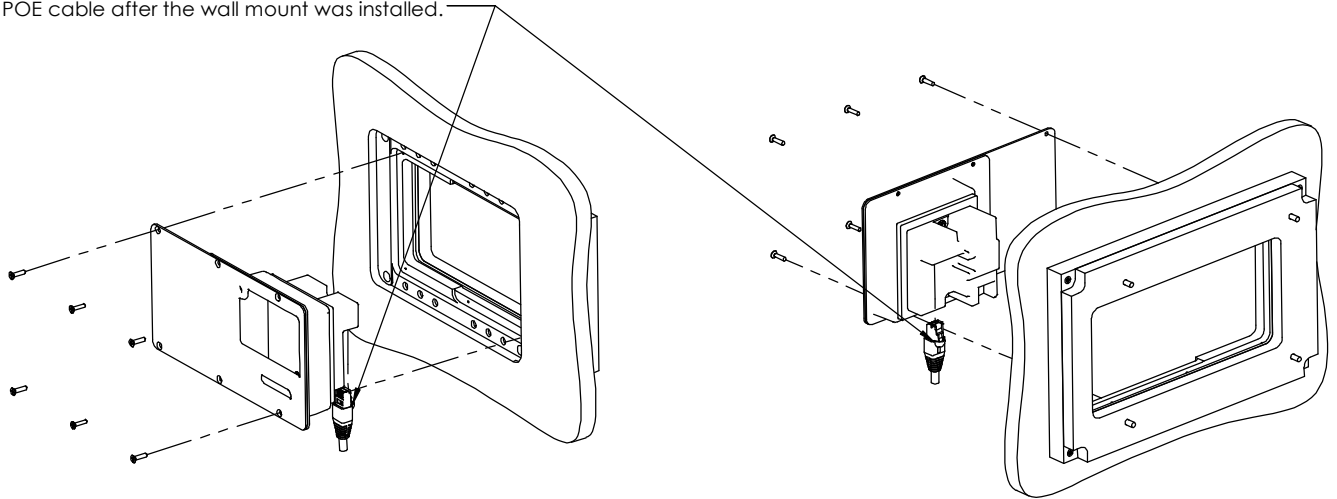
REVISION C

DATE 29/NOV/2018



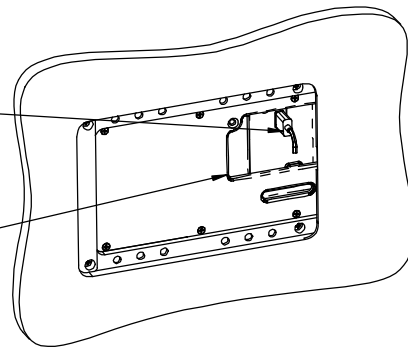
Before installation of the wall mount, connect a 48V IEEE 802.3af POE power source via a CAT5/6 cable and RJ45 connector to the POE to USB converter.

If required, it is possible to unscrew 6 screws, remove the back wall and connect POE cable after the wall mount was installed.



Connect iPad USB cable to POE to USB converter

Organize the cable in the cable tray



Connect lightning connector to the iPad and insert iPad

