



Model: WS NC FOR SENNHEISER TeamConnect Ceiling 2

Model No.: 090-1NA09

Family: WALL-SMART

DWG NO. 090-4NA09-SPC

PRODUCT SPEC.

REVISION A

DATE 25/Nov./2024



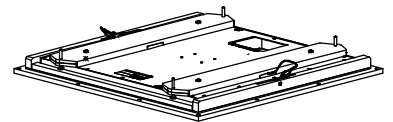
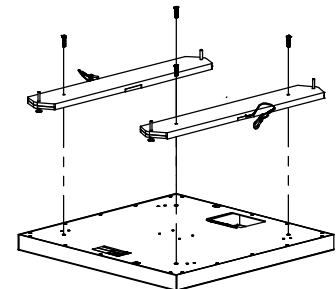
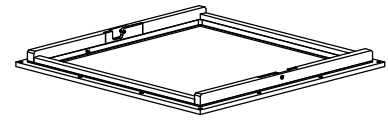
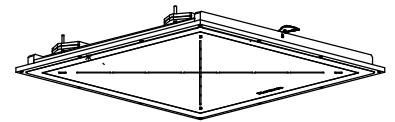
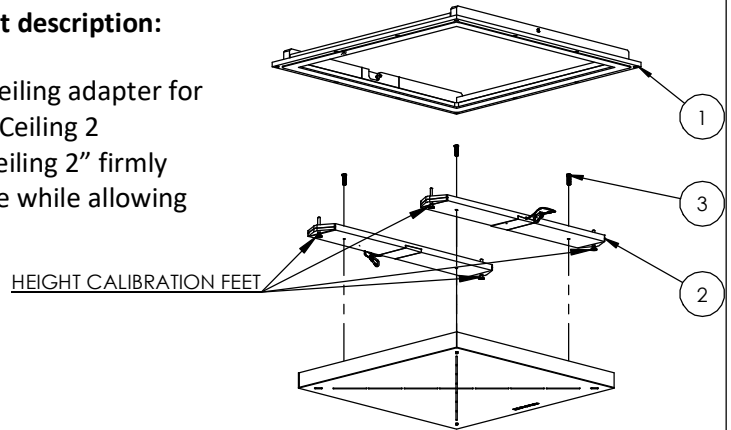
Make Your Wall Smart

“WS NC FOR SENNHEISER TeamConnect Ceiling 2” - Product description:

The “WS NC FOR SENNHEISER TeamConnect Ceiling 2” is a ceiling adapter for in-ceiling flush installation of an SENNHEISER TeamConnect Ceiling 2 microphone. The “WS NC FOR SENNHEISER TeamConnect Ceiling 2” firmly mounts the SENNHEISER TeamConnect Ceiling 2 microphone while allowing easy insertion, removal and operation.

Key features and benefits:

- Flush with the ceiling.
- Paintable with the wall paint in any color and texture.
- Includes depth calibration mechanism
- Allows easy insertion and removal of the TeamConnect Ceiling 2 microphone.
- The adapter is supplied unpainted (To be painted after installation as part of the ceiling).
- Designed to be installed in ½” drywall. Installation of the Wall-Smart adapter is straight-forward. Installation process is similar to drywall construction procedures. Before installation, read Wall-Smart installation instruction 10-04-00101-INS in <http://www.wallsmart.com/faq>
- Designed for the use with SENNHEISER TeamConnect Ceiling 2 microphone. (SENNHEISER TeamConnect Ceiling 2 microphone not included).
- Adapter kit contains:
 1. Ceiling adapter (X1)
 2. Adapter plate (X2)
 3. M6x25 Pan screws (X4)



Key properties:

- Dimensions: (W/H/D): 689.3mm (27.14")/ 689.3mm (27.14")/84.2 (3.31")
- Power Supply: None (manual adapter).
- Weight: 3.65Kg, 8.03lbs.
- Material: Moisture resistant MDF (compliant with TSCA Title VI)

