



Model: WS NC FOR SONOS ARC EU/IL

Family: WALL-SMART

DWG NO. 085-4NA17-E-SPC

Model No.: 085-1NA17-EBL/EWH

PRODUCT SPEC.

REVISION A

DATE 05/Dec./2024



Make Your Wall Smart

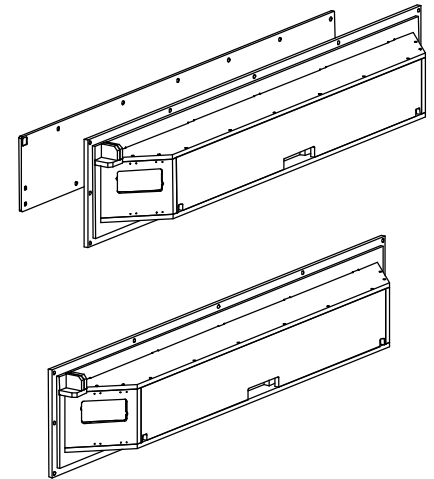
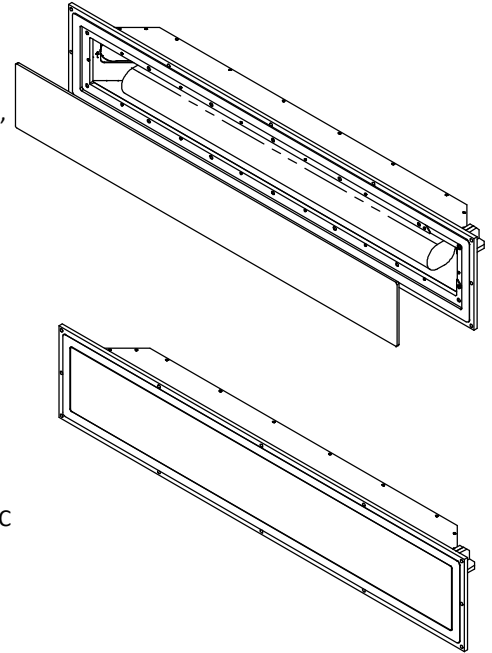
“WS NC FOR SONOS ARC EU/IL” - Product description:

The “WS NC FOR SONOS ARC EU/IL” is an adapter for in-wall flush installation of a SONOS ARC sound bar.

The “WS NC FOR SONOS ARC EU/IL” conceals the sound bar while allowing easy access, removal and operation.

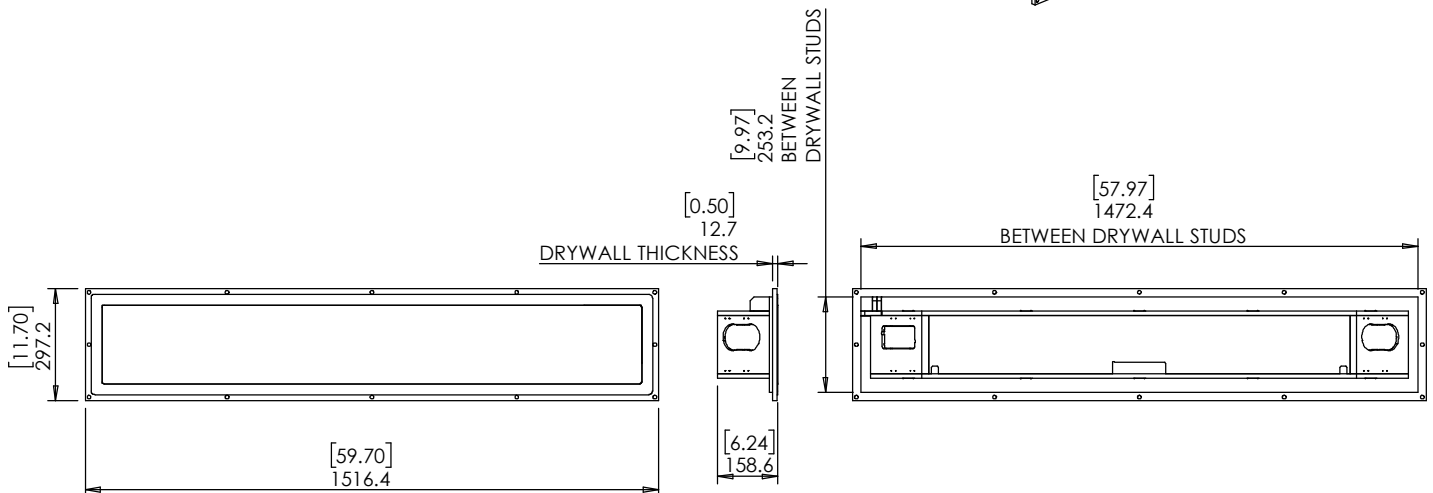
Key features and benefits:

- Flush with the wall.
- Paintable with the wall paint in any color and texture.
- Allows easy insertion and removal of the sound bar.
- The adapter is supplied unpainted (To be painted after installation as part of the wall).
- Wall adapter includes knockouts to install EU or IL backboxes and sockets (See page 4 for backbox installation instructions)
(To install a US or UK backbox use 085-1NA17-UBL/UWH “WS NC FOR SONOS ARC US/UK”)
- Wall adapter is designed for the use with the following backboxes:
 - EU – VIMAR V71704 4M flush mount box (or equivalent)
 - IL – 4 module GEWISS compatible drywall back box
- Wall adapter is designed for High Fidelity audio output.
- The grille is available with white cloth (EWH) or with black cloth (EBL)
- The white grille is offered in a "Leaves" pattern, or a "Rectangles" pattern (See page 6 for Pattern options)
- The grille is made of high quality acoustic and IR transparent fabric
- The grille attaches magnetically to the wall mount.
- Designed to be installed in ½” drywall. Installation of the Wall-Smart adapter is straight-forward. Installation process is similar to drywall construction procedures. Before installation, read Wall-Smart installation instruction 10-04-00101-INS in <http://www.wall-smart.com/faq>
- Designed for the use with ARC sound bar (by SONOS) (not included).
- Wall adapter is supplied unassembled (See page 3 for instructions)
- See page 2 for package content



Key properties:

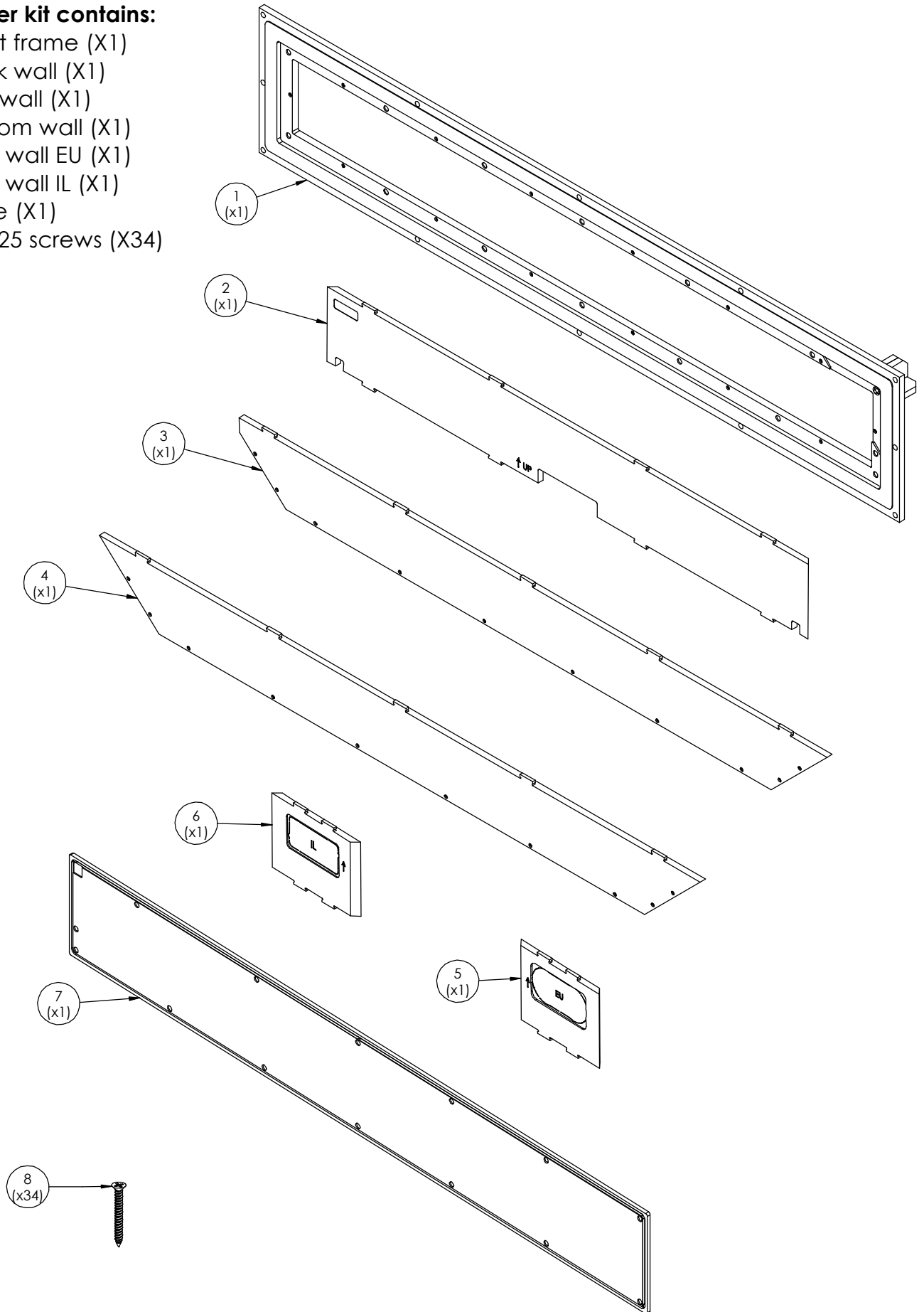
- Dimensions: (W/H/D): 1516.4mm (59.7")/297.2mm (11.7")/ 158.6mm (6.24")
- Weight: 6.7Kg, 14.7lbs.
- Material: Moisture resistant MDF (compliant with TSCA Title VI)





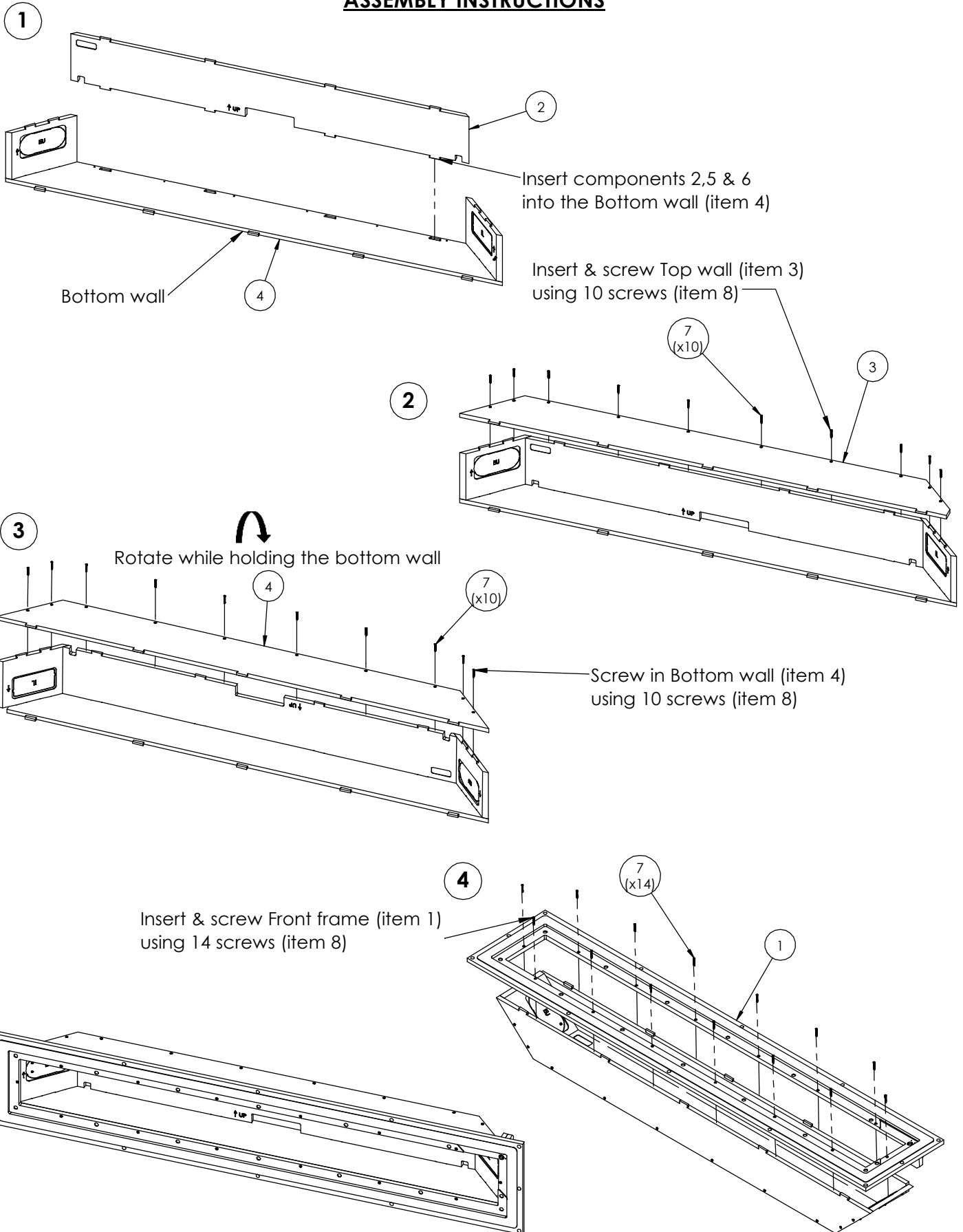
Adapter kit contains:

1. Front frame (X1)
2. Back wall (X1)
3. Top wall (X1)
4. Bottom wall (X1)
5. Side wall EU (X1)
6. Side wall IL (X1)
7. Grille (X1)
8. ST3x25 screws (X34)



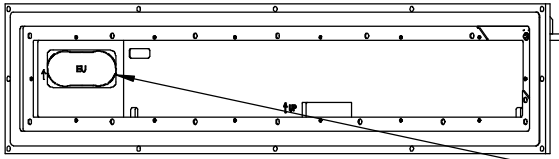


ASSEMBLY INSTRUCTIONS

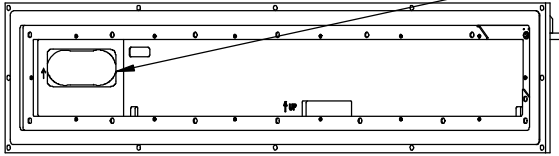




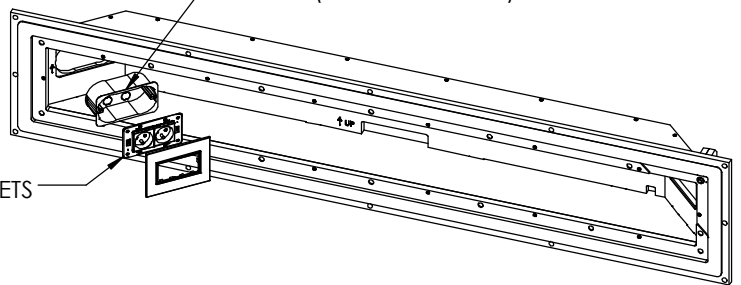
EU BACKBOX AND SOCKETS INSTALLATION



1. REMOVE EU KNOCKOUT

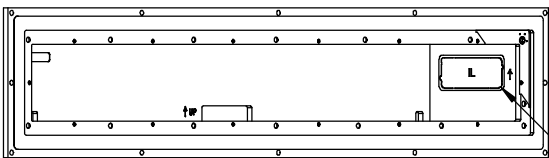


2. INSTALL A VIMAR V71704 4M FLUSH MOUNT BOX (OR EQUIVALENT)

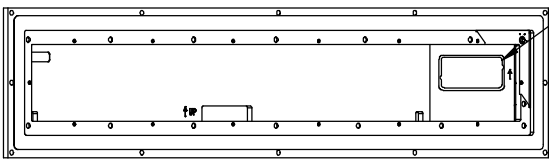


3. INSTALL SOCKETS

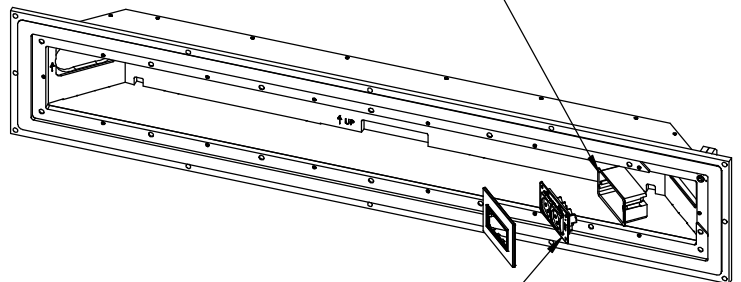
IL BACKBOX AND SOCKETS INSTALLATION



1. REMOVE IL KNOCKOUT



2. INSTALL A GEWISS COMPATIBLE 4 MODULE DRYWALL BACKBOX



3. INSATLL OUTLETS



Model: WS NC FOR SONOS ARC EU/IL

Family: WALL-SMART

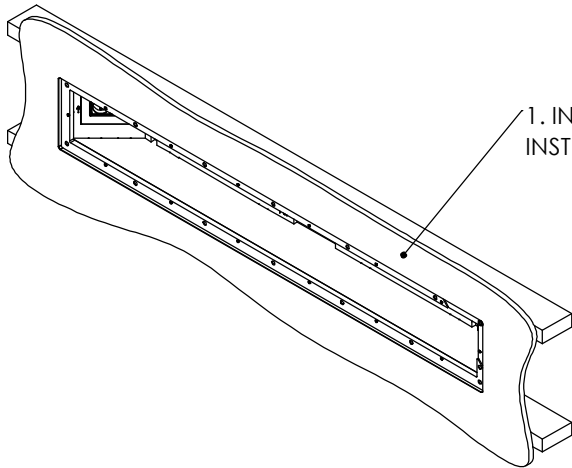
DWG NO. 085-4NA17-E-SPC

Model No.: 085-1NA17-EBL/EWH

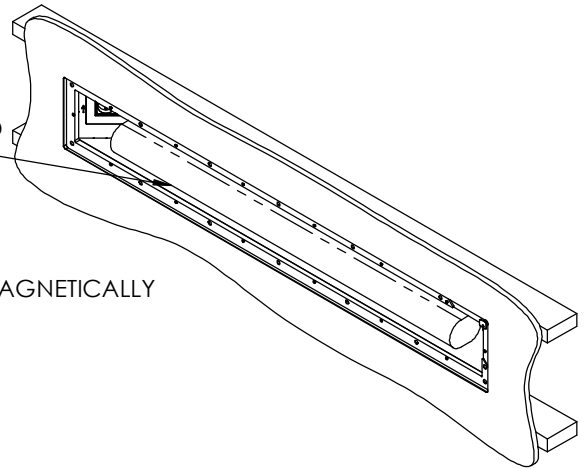
PRODUCT SPEC.

REVISION A

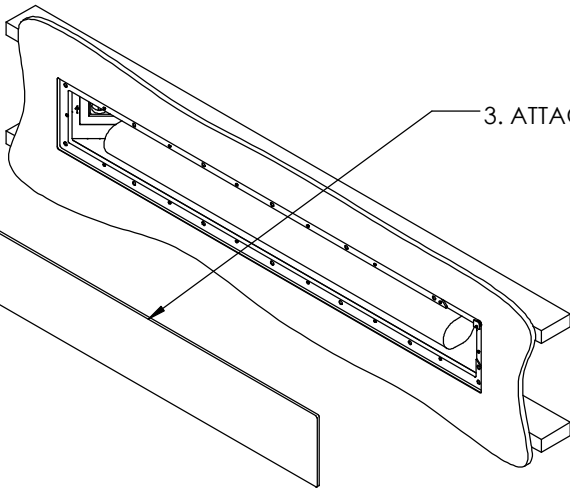
DATE 05/Dec./2024



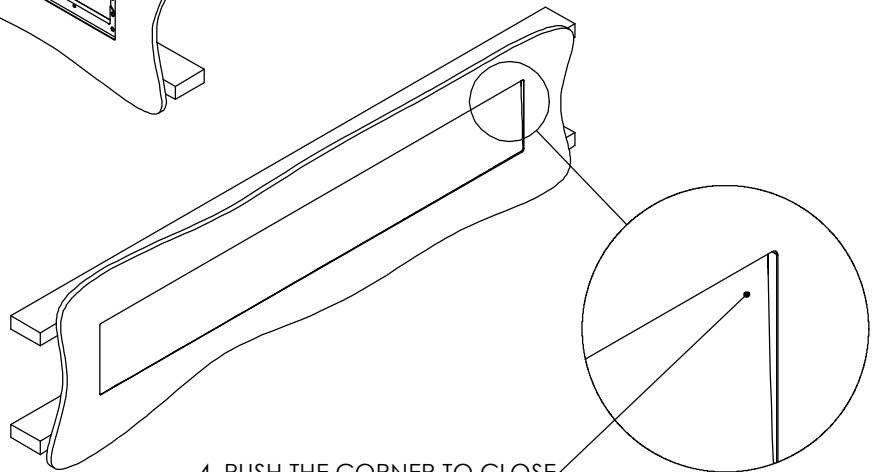
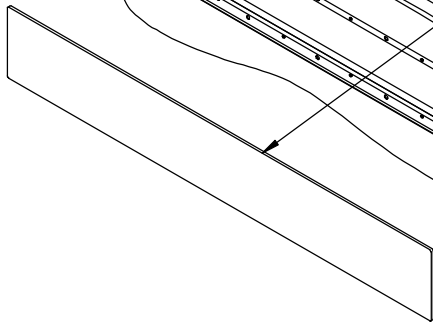
1. INSTALL THE MOUNT IN DRYWALL ACCORDING TO INSTALLATION INSTRUCTION 10-04-00101-INS IN <<http://www.wall-smart.com/faq>>



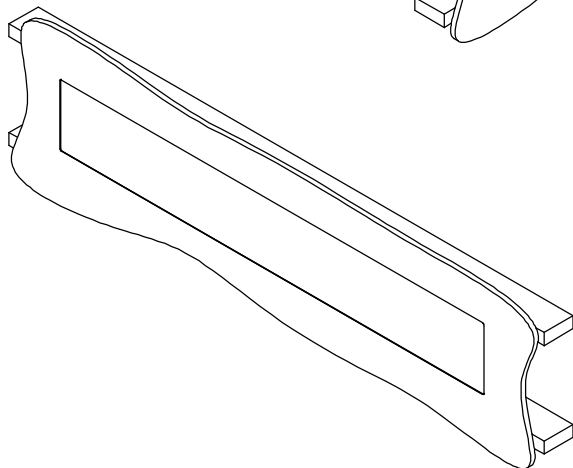
2. CONNECT SOUND BAR AND PLACE IT IN THE WALL MOUNT



3. ATTACH GRILLE MAGNETICALLY



4. PUSH THE CORNER TO CLOSE





Model: WS NC FOR SONOS ARC EU/IL

Family: WALL-SMART

DWG NO. 085-4NA17-E-SPC

Model No.: 085-1NA17-EBL/EWH

PRODUCT SPEC.

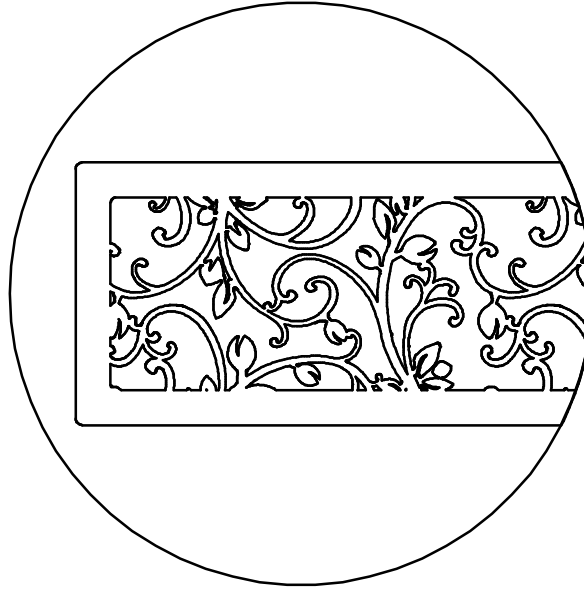
REVISION A

DATE 05/Dec./2024



085-1NA17 white grille pattern options:

① 085-1NA17-EWH1



② 085-1NA17-EWH2

