



Model: WS RETROFIT FOR SONOS BEAM

Family: WALL-SMART

DWG NO. 085-4-347-SPC



Model No.: 085-1-347

PRODUCT SPEC.

REVISION A

DATE 09/AUG/2021

Make Your Wall Smart

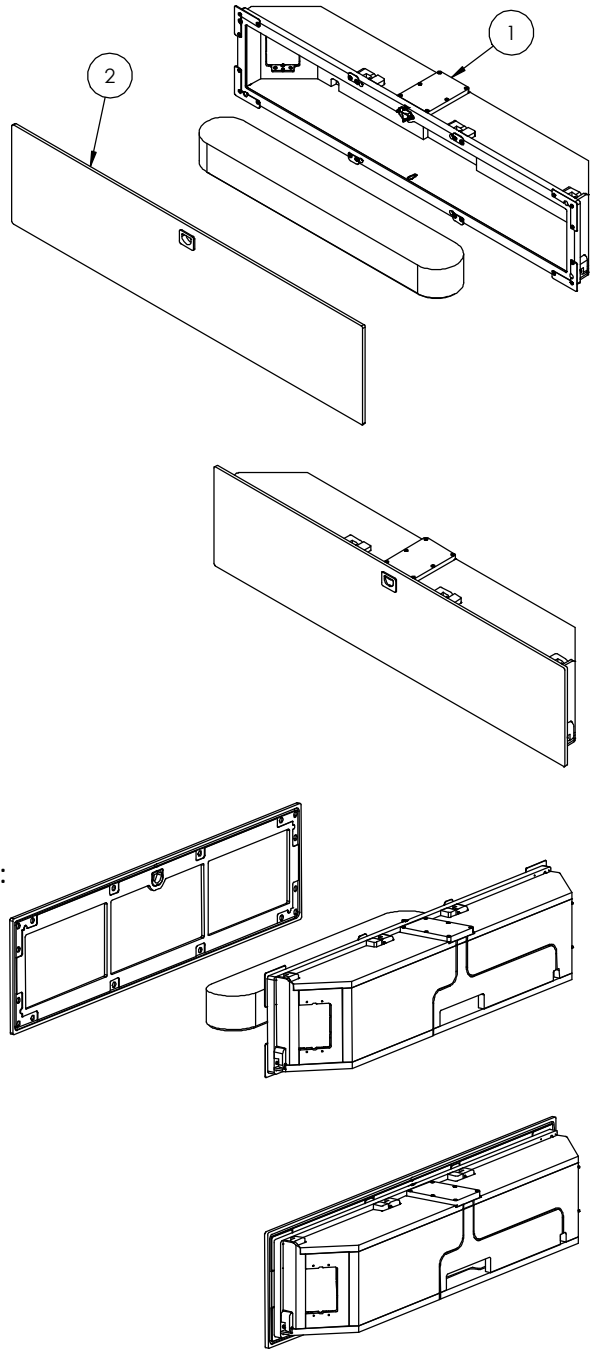
“WS RF FOR SONOS BEAM” - Product description:

The “WS RF FOR SONOS BEAM” is an adapter for in-wall nearly flush retrofit installation of a SONOS Beam sound bar.

The “WS RF FOR WS RF FOR SONOS BEAM” firmly mounts the sound bar while allowing easy insertion, removal and operation.

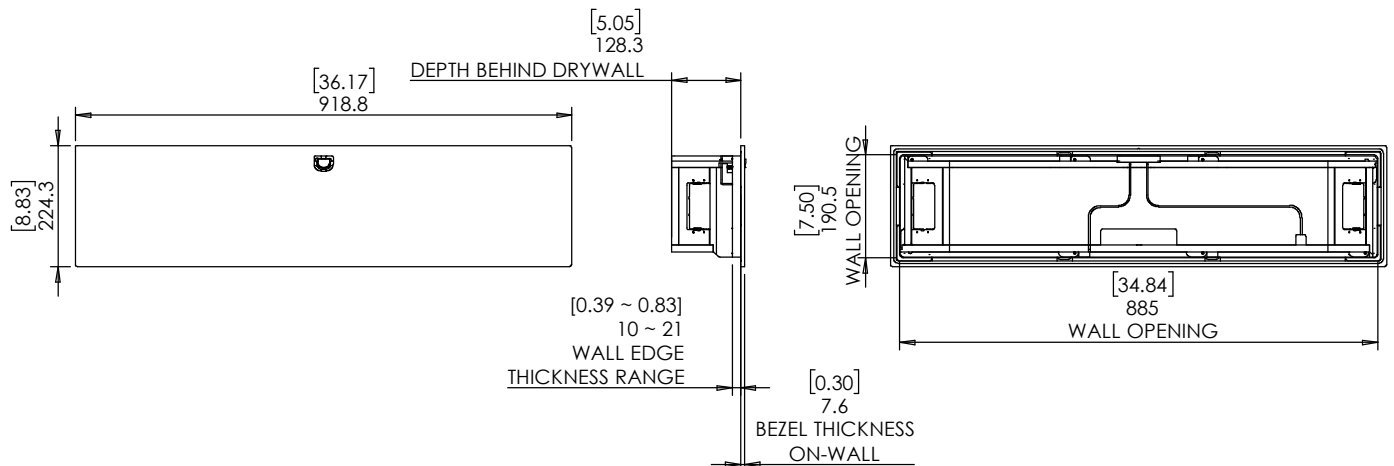
Key features and benefits:

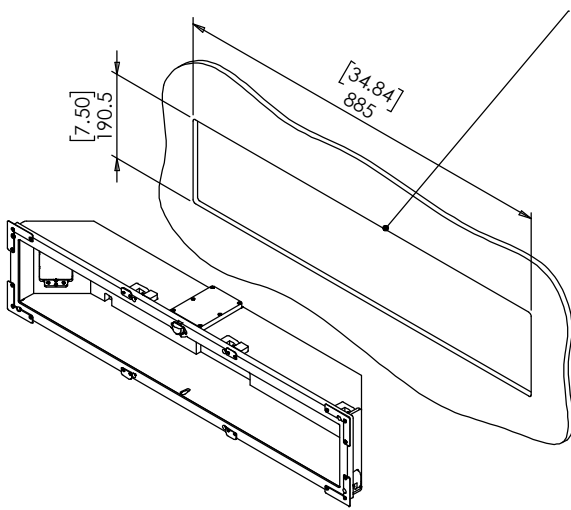
- Nearly flush with the wall (7.6mm [0.3"] thick on-wall bezel).
- Allows easy insertion and removal of the sound bar.
- Wall adapter includes extendable IR repeater.
- Wall adapter includes knock outs to install back boxes and receptacles for electric outlets (see page 3 for instructions).
- Wall adapter is designed for hi fidelity audio output.
- Bezel is supplied with high quality acoustic fabric.
- Bezel attaches magnetically to the retrofit wall mount base.
- Wall Board thickness may be 10mm[0.39"] up to 21mm[0.83"].
- Designed for the use with Beam sound bar (by SONOS)(not included), or any other sound bar with the following dimensions: (W/H/D): 900mm (35.4")/ 300mm (11.8.)/100mm(3.94")
- Adapter kit contains:
 1. Wall adapter(X1)
 2. Bezel(X1)
 3. KAx3.5 screws(X8)



Key properties:

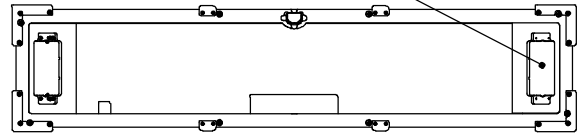
- Dimensions: (W/H/D): 918.8mm (36.17")/ 224.3mm (8.83")/ 134.9mm (5.31")
- Weight: 4.8Kg, 10.58lbs.
- Material: Moisture resistant MDF (compliant with TSCA Title VI)



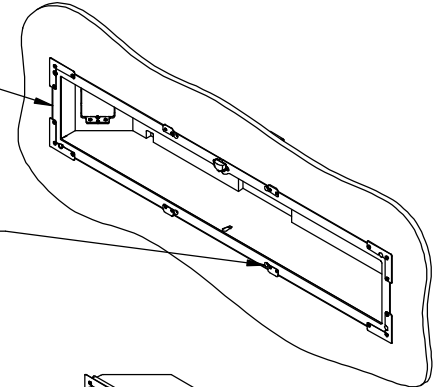


1. CUT OPENING - BOARD THICKNESS 10mm [0.39"] UP TO 21mm [0.83"].

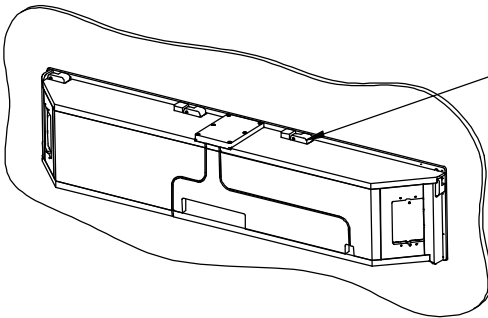
2. ROUTE NECESSARY CABLES (TO INSTLL BACK BOXES AND RECEPTACLES SEE BELOW).



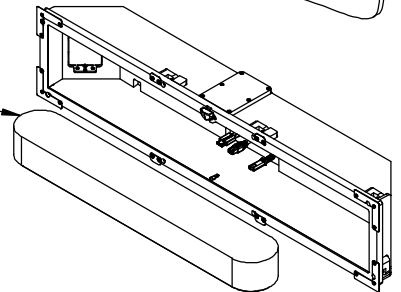
3. INSERT WALL MOUNT BASE



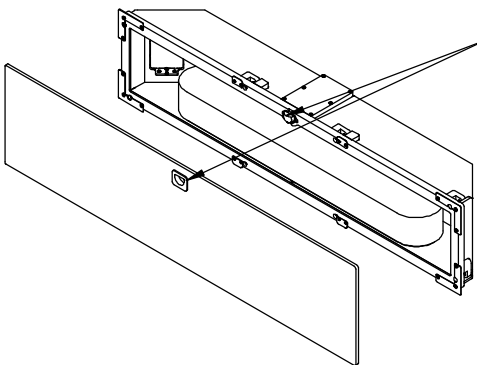
4. GENTLY SCREW CLOCKWISE 8 RETENTION SCREWS UNTIL DOG EARS RETAIN THE UNIT



5. CONNECT YOUR SONOS BEAM AND PLACE IT IN THE WALL MOUNT



6. ATTACH BEZEL MAGNETICALLY. POSITION THE BEZEL WITH THE IR RECEIVER IN PLACE



TO INSTALL A RECEPTACLE:

1. REMOVE BREAK OUTS.
2. SCREW IN A RACO BOX 420 (OR EQUIVALENT).
3. INSTLL RECEPTACLE.

