



Model: WS IN-WALL MOUNT FOR SONOS ARC US&UK BLACK/WHITE

Model No.: 085-1-200-UBL/UWH

Family: WALL-SMART

DWG NO. 085-4-200-U-SPC

PRODUCT SPEC.

REVISION B

DATE 16/FEB/2022



Make Your Wall Smart

“WS IN-WALL MOUNT FOR SONOS ARC” - Product description:

The “WS IN-WALL MOUNT FOR SONOS ARC” is an adapter for in-wall nearly flush installation of a SONOS ARC sound bar.

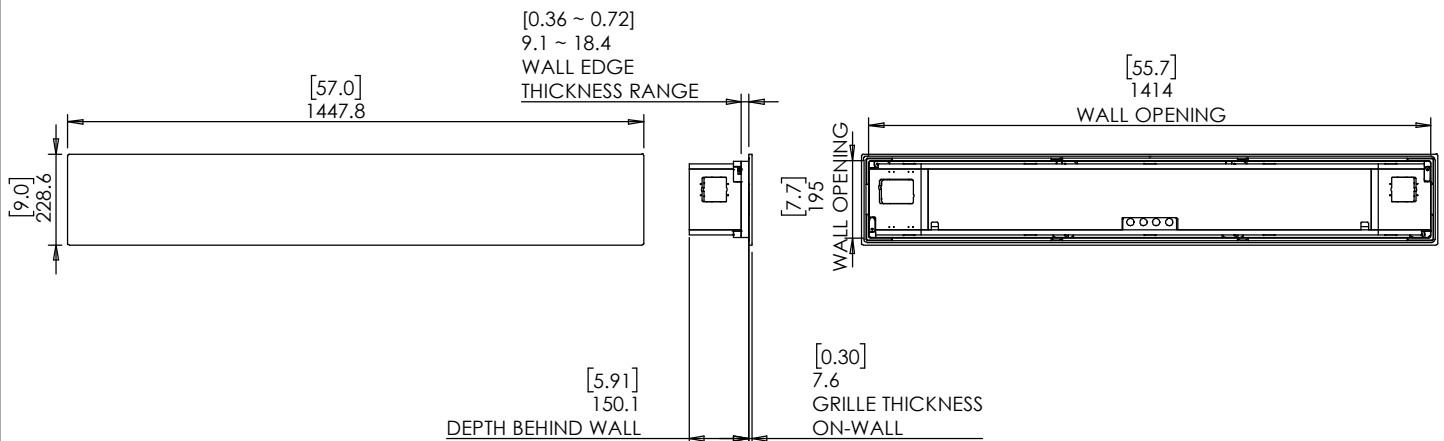
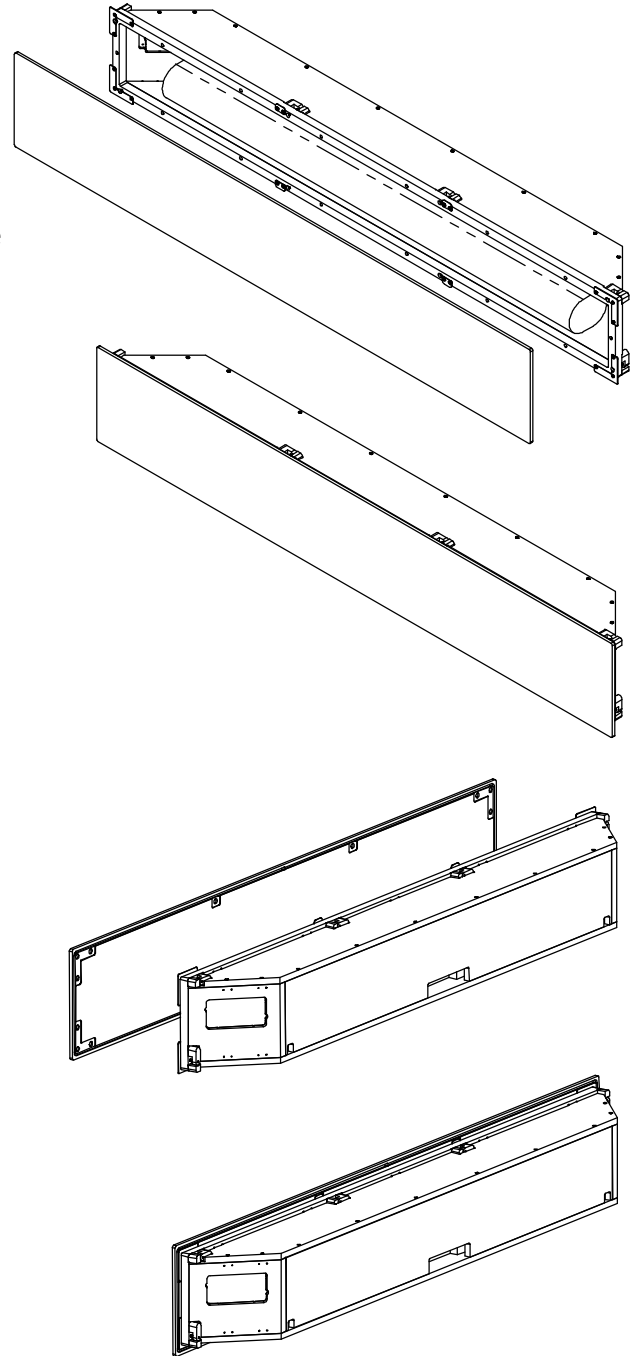
The “WS IN-WALL MOUNT FOR SONOS ARC” conceals the sound bar while allowing easy access, removal and operation.

Key features and benefits:

- Nearly flush with the wall (7.6mm [0.3"] thick on-wall grille).
- Allows easy insertion and removal of the sound bar.
- Wall adapter includes knockouts to install US or UK backboxes and receptacles (See page 4 for backbox installation instructions) (to install an European backbox use 085-1-200-EBL/EWH “WS IN-WALL MOUNT FOR SONOS ARC EU&IL BLACK/WHITE”)
- Wall adapter is designed for the use with the following backboxes:
 - UK – BS4662 2 Gang (or equivalent)
 - US – HUBBELL Racobox 420 (or equivalent)
- Wall adapter is designed for High Fidelity audio output
- Grille is supplied white (UWH) or black (UBL)
- Grille is made with high quality acoustic and IR transparent fabric
- Grille attaches magnetically to the wall mount base
- Wall Board thickness may be 9.1mm[0.36"] up to 18.4mm[0.72"]
- Designed for the use with ARC sound bar (by SONOS)(not included)
- Wall adapter is supplied unassembled (See page 3 for instructions)
- See page 2 for package content

Key properties:

- Dimensions: (W/H/D): 1447.8mm (57")/228.6mm (9")/ 157.7mm (6.21")
- Weight: 6.7Kg, 14.8lbs.
- Material: Moisture resistant MDF (compliant with TSCA Title VI)





Model: WS IN-WALL MOUNT FOR SONOS
ARC US&UK BLACK/WHITE

Family: WALL-SMART

DWG NO. 085-4-200-U-SPC



Model No.: 085-1-200-UBL/UWH

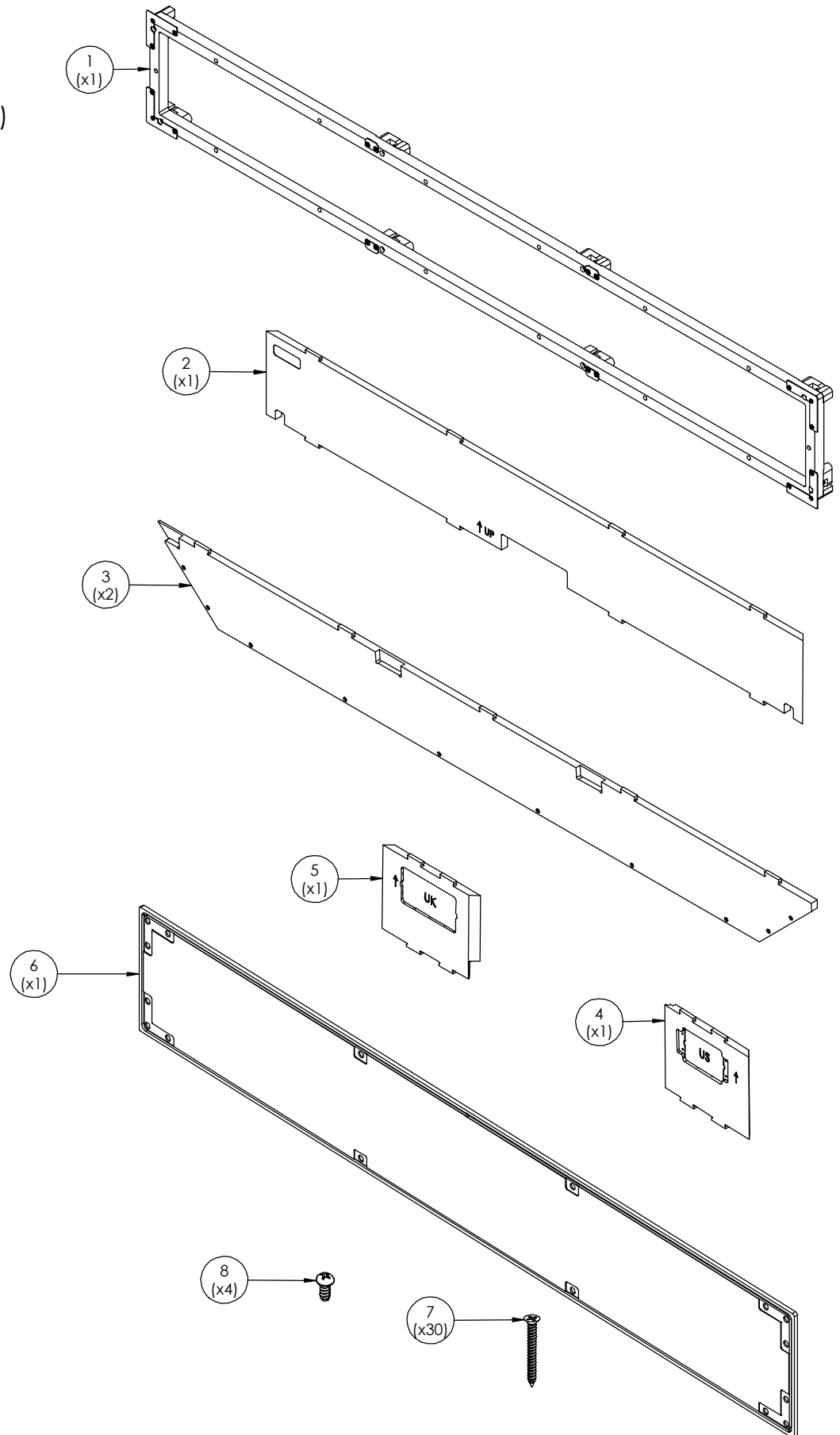
PRODUCT SPEC.

REVISION B

DATE 16/FEB/2022

Adapter kit contains:

1. Front frame (X1)
2. Back wall (X1)
3. Top/Bottom wall (X2)
4. Side wall US (X1)
5. Side wall Uk (X1)
6. Grille (X1)
7. ST3x25 screws (X34)
8. KA3.5x8 screws (x4)





Model: WS IN-WALL MOUNT FOR SONOS
ARC US&UK BLACK/WHITE

Family: WALL-SMART

DWG NO. 085-4-200-U-SPC

Model No.: 085-1-200-UBL/UWH

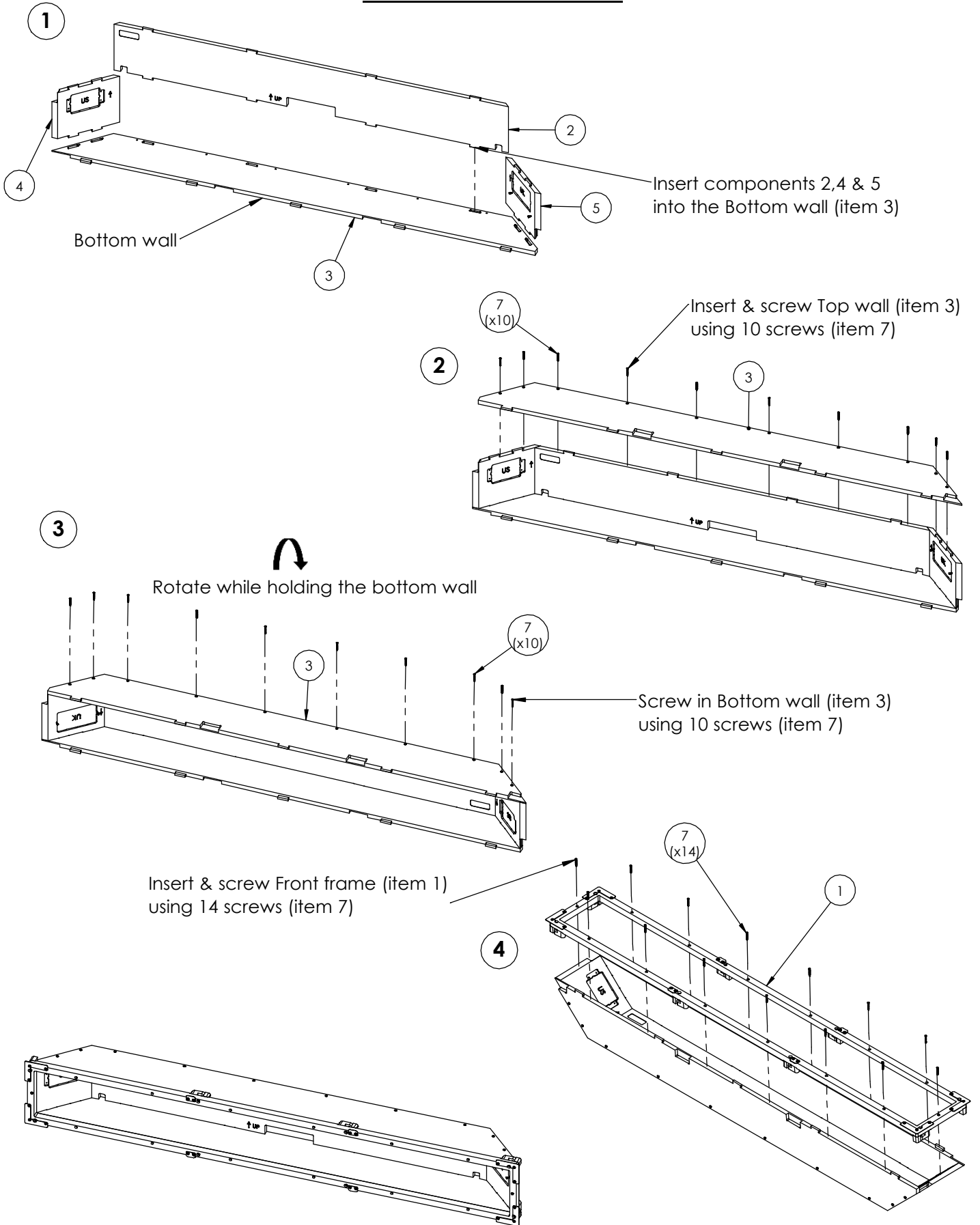
PRODUCT SPEC.

REVISION B

DATE 16/FEB/2022



ASSEMBLY INSTRUCTIONS





Model: WS IN-WALL MOUNT FOR SONOS
ARC US&UK BLACK/WHITE

Family: WALL-SMART

DWG NO. 085-4-200-U-SPC

Model No.: 085-1-200-UBL/UWH

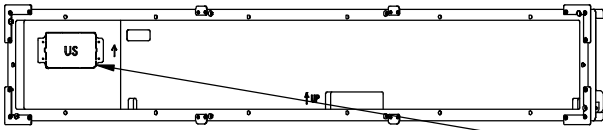
PRODUCT SPEC.

REVISION B

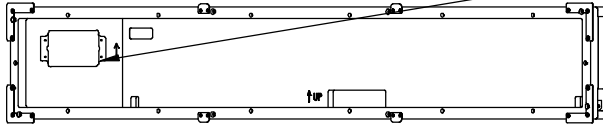
DATE 16/FEB/2022



US BACKBOX AND RECEPTACLE INSTALLATION

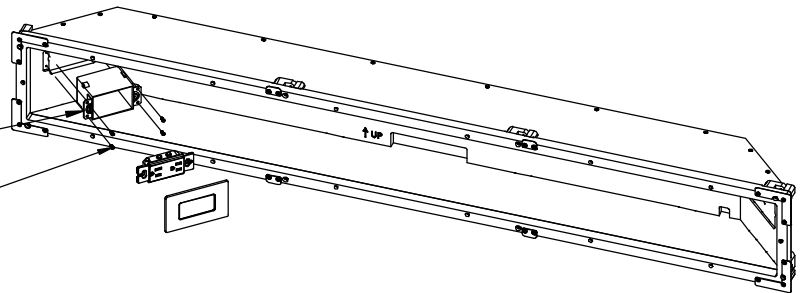


1. REMOVE US KNOCKOUT

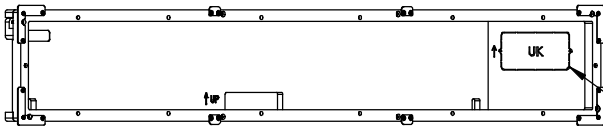


2. SCREW IN A RACOBX 420
(OR EQUIVALENT) AND INSTALL
RECEPTAL

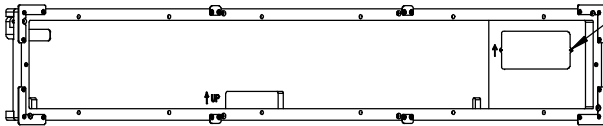
8
(x4)



UK BACKBOX AND RECEPTACLE INSTALLATION



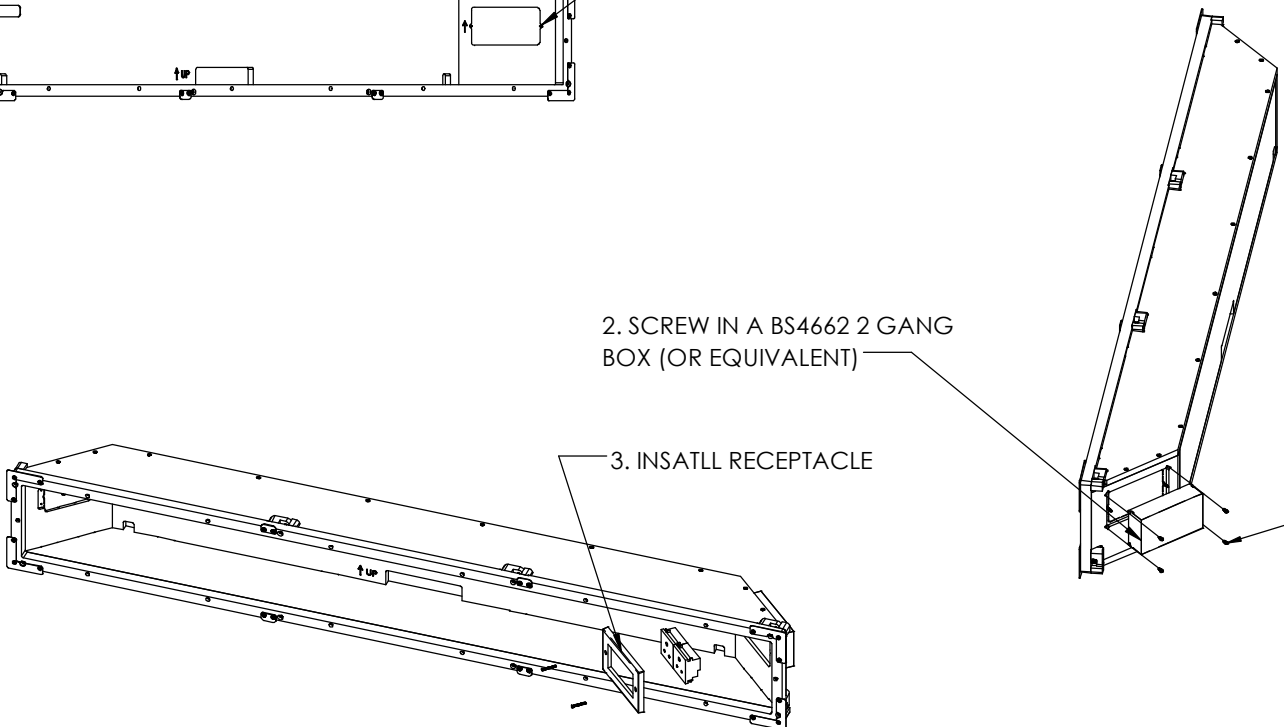
1. REMOVE UK KNOCKOUT



2. SCREW IN A BS4662 2 GANG
BOX (OR EQUIVALENT)

3. INSATLL RECEPTACLE

8
(x4)





Model: WS IN-WALL MOUNT FOR SONOS
ARC US&UK BLACK/WHITE

Family: WALL-SMART

DWG NO. 085-4-200-U-SPC



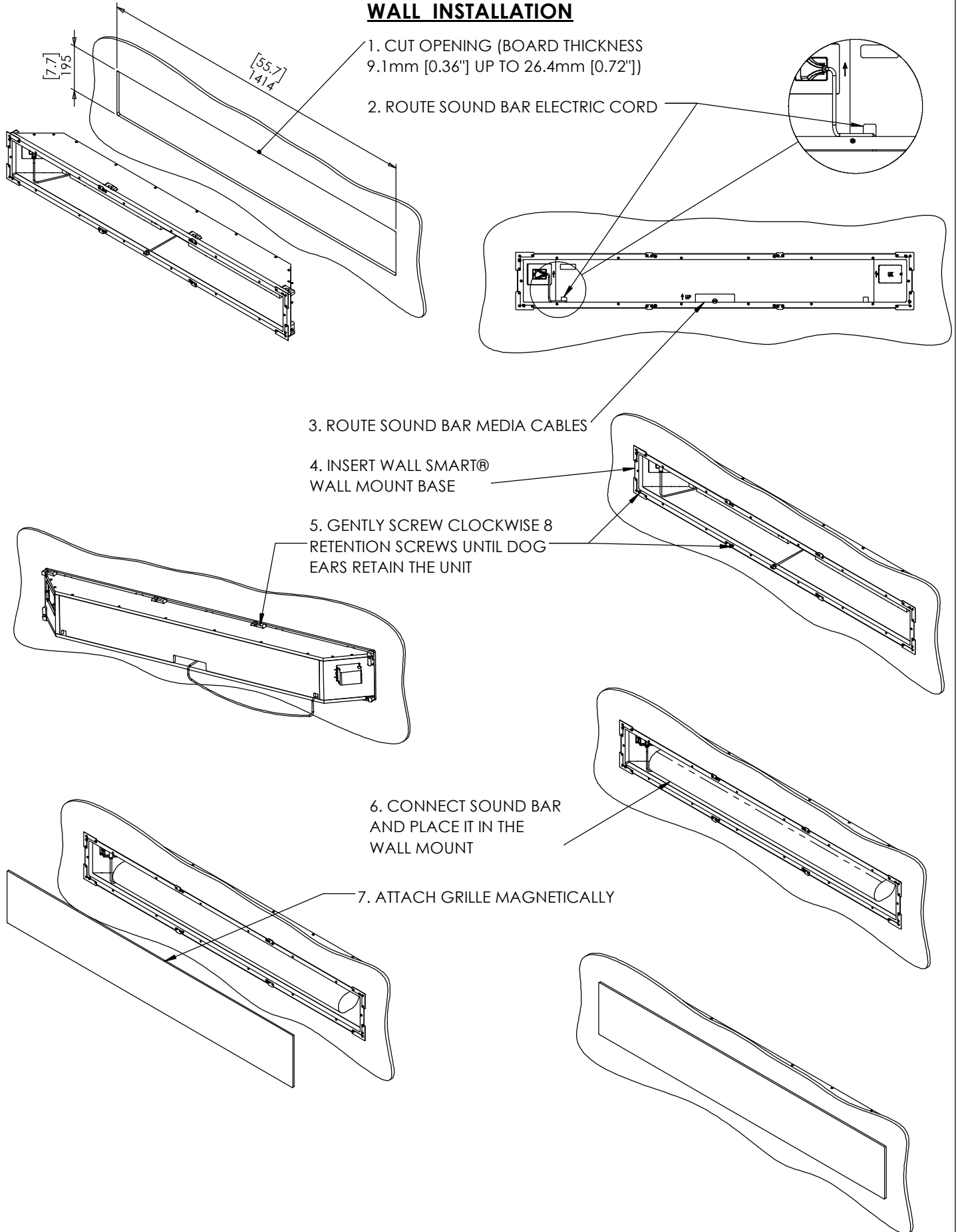
Model No.: 085-1-200-UBL/UWH

PRODUCT SPEC.

REVISION B

DATE 16/FEB/2022

WALL INSTALLATION



1. CUT OPENING (BOARD THICKNESS 9.1mm [0.36"] UP TO 26.4mm [0.72"])

2. ROUTE SOUND BAR ELECTRIC CORD

3. ROUTE SOUND BAR MEDIA CABLES

4. INSERT WALL SMART® WALL MOUNT BASE

5. GENTLY SCREW CLOCKWISE 8 RETENTION SCREWS UNTIL DOG EARS RETAIN THE UNIT

6. CONNECT SOUND BAR AND PLACE IT IN THE WALL MOUNT

7. ATTACH GRILLE MAGNETICALLY