



Model: WS NC Uni-INwall XS

Family: WALL-SMART

DWG NO. 083-4-981-SPC

Model No.: 083-1-981

PRODUCT SPEC.

REVISION A

DATE 3/JAN/2024



### Make Your Wall Smart

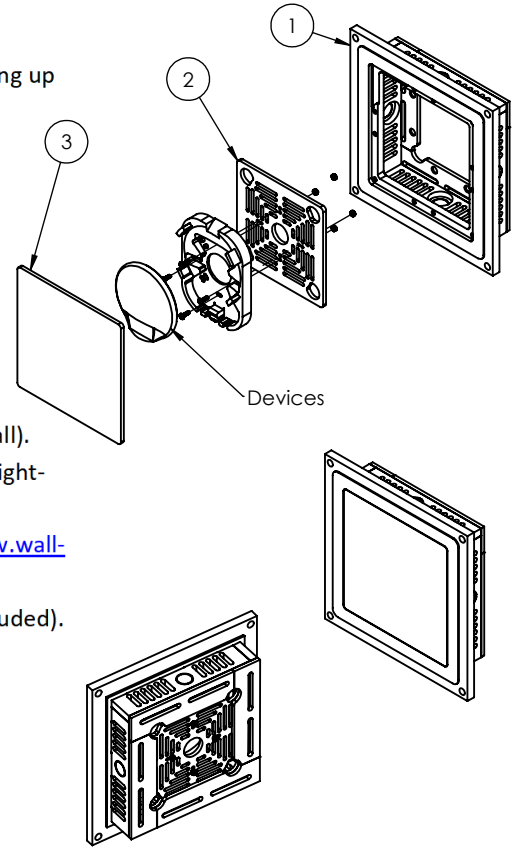
#### “WS NC Uni-INwall XS” - Product description:

The “WS NC Uni-INwall XS” is an adapter for in-wall flush installation of devices measuring up to 171X171X44mm in size.

The “WS NC Uni-INwall XS” firmly mounts the device allowing easy access, insertion and operation.

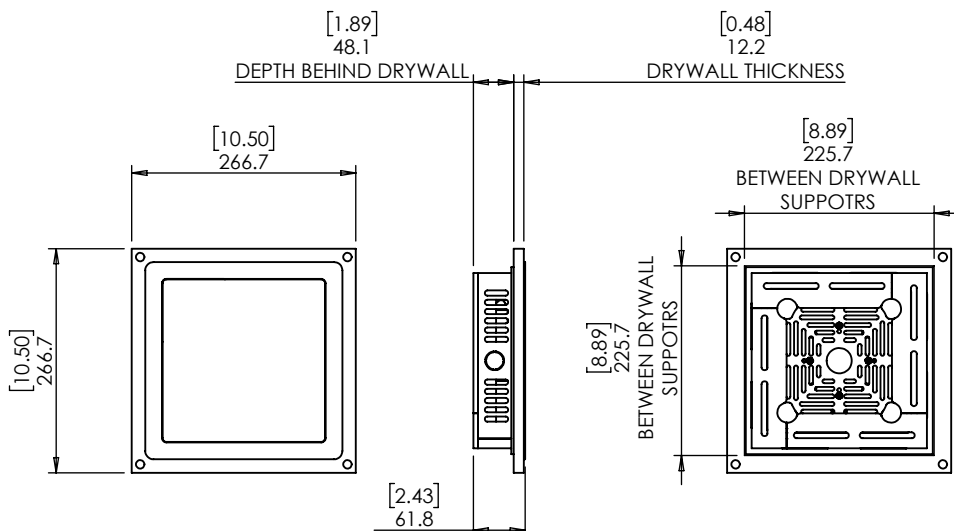
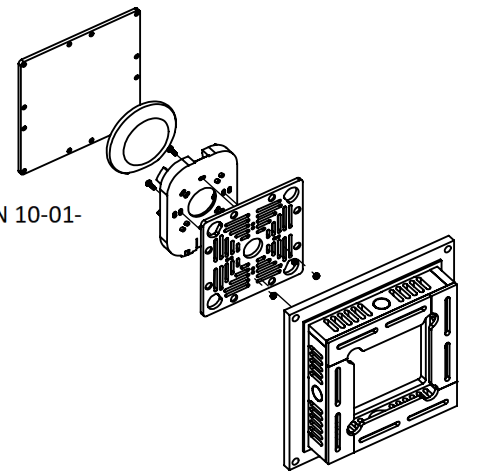
#### Key features and benefits:

- Flush with the wall.
- Paintable with the wall paint in any color and texture.
- Allows easy insertion and removal of the device.
- The adapter is supplied unpainted (To be painted after installation as part of the wall).
- Designed to be installed in ½” drywall. Installation of the Wall-Smart adapter is straightforward. Installation process is similar to drywall construction procedures. Before installation, read Wall-Smart installation instruction 10-04-00101-INS in <http://www.wall-smart.com/fag>
- Designed for the use with devices measuring up to 171X171X44mm in size (not included).
- Walls allows installation of ½” conduit connectors (not included).
- Adapter kit contains:
  1. Wall adapter (x1)
  2. Device adapter (x1)
  3. Cover (X1)
 (Items 4-5 see next page)

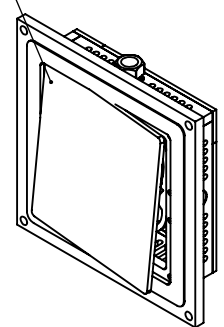


#### Key properties:

- Dimensions: (W/H/D): 266.7mm (10.50")/ 266.7mm (10.50")/ 61.8mm (2.43")
- Weight: 0.884Kg, 2.16lbs.
- Material: Moisture resistant MDF (compliant with TSCA Title VI)
- To be installed in ½” drywall (for installation in 5/8” drywall use 1/8” shim pack P/N 10-01-067 (sold separately)).



PUSH TO REMOVE





Model: WS NC Uni-INwall XS

Family: WALL-SMART

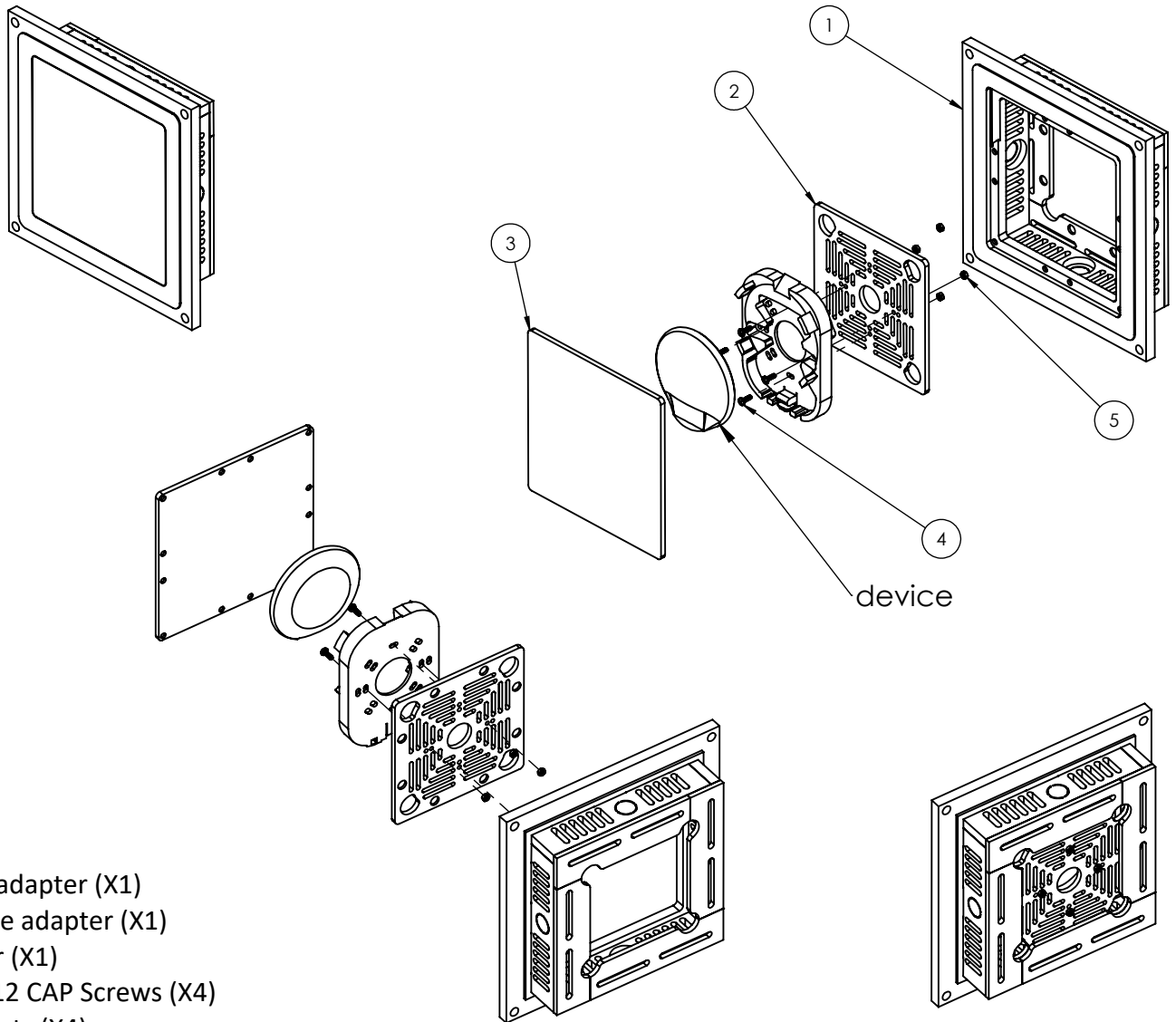
DWG NO. 083-4-981-SPC

Model No.: 083-1-981

PRODUCT SPEC.

REVISION A

DATE 3/JAN/2024



- 1. Wall adapter (X1)
- 2. Device adapter (X1)
- 3. Cover (X1)
- 4. M4X12 CAP Screws (X4)
- 5. M4 nuts (X4)

INNER SIDE WALLS ENABLE INSTALLATION OF 1/2" CONDUIT CONNECTION (NOT INCLUDED).

