



Model: WS NC FOR ACCESS POINT L
Installation instruction for Araknis AN-820-AP-I

Family: WALL-SMART

DWG NO. 083-4-923-INST ARAKNIS AN-820

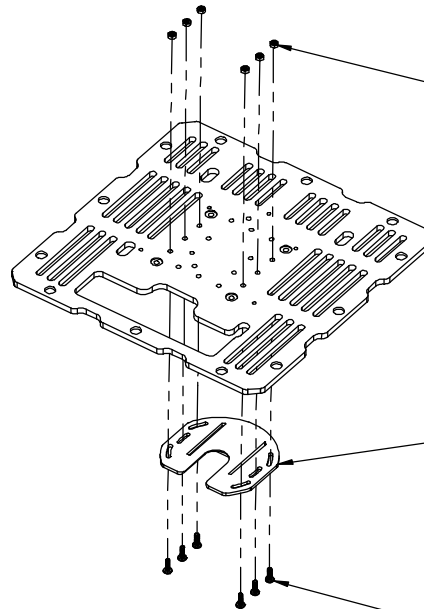
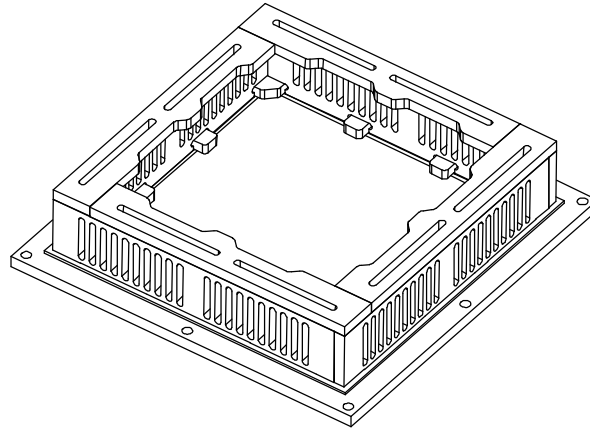
Model No.: 083-1-923

PRODUCT SPEC.

REVISION A
DATE 08/NOV./2022



Installation instruction for Araknis AN-820-AP-I



M4 nuts X6 (item #5)

Araknis AN-820 wall plate

M4X12 cap screws X6 (item #4)

Araknis AN-820-AP-I

