



Model: WS RF FOR RUCKUS R850

Family: WALL-SMART

DWG NO. 083-4-097-SPC

Model No.: 083-1-097

PRODUCT SPEC.

REVISION A

DATE 14/SEP/2021



### Make Your Wall Smart

#### “WS RF FOR RUCKUS R850” - Product description:

The “WS RF FOR RUCKUS R850” is an adapter for in-wall nearly flush installation of a RUCKUS R850 access point.

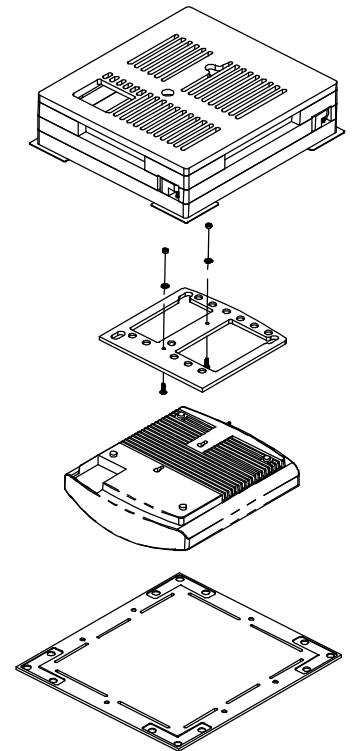
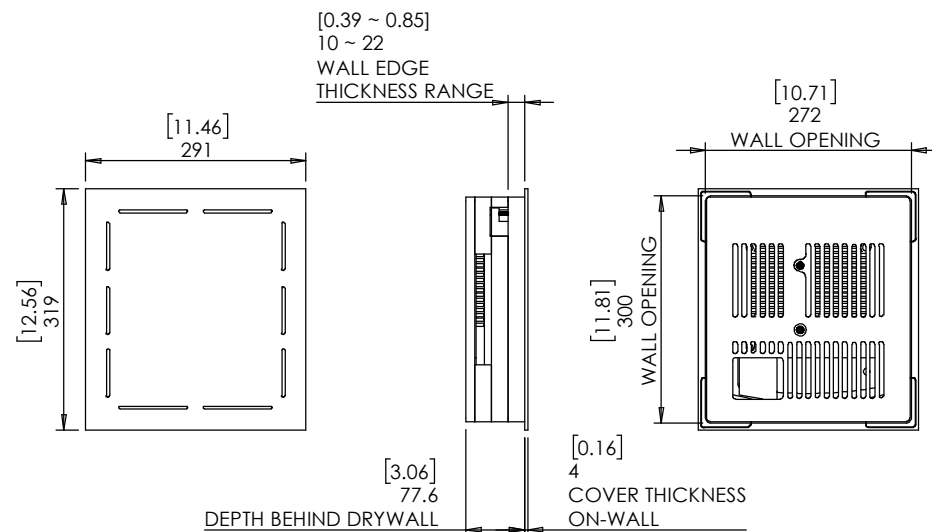
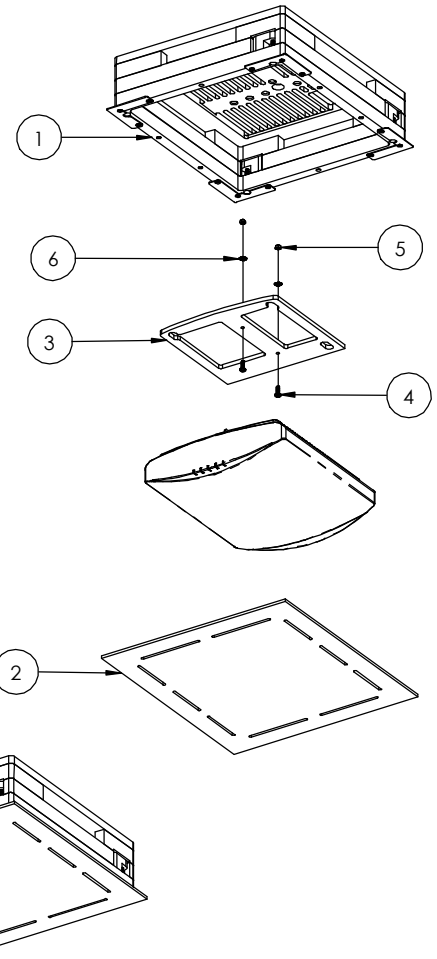
The “WS RF FOR RUCKUS R850” firmly mounts the device while allowing easy insertion, removal and operation.

#### Key features and benefits:

- Nearly flush with the wall (4mm [0.16"] thick on-wall cover).
- Allows easy insertion and removal of the device.
- cover attaches magnetically to the retrofit wall mount base.
- cover is supplied painted white.
- Board thickness 10mm[0.39"] up to 22mm[0.85"].
- Designed for the use with RUCKUS R850 access point (by COMMSCOPE) (not included).
- Adapter kit contains:
  1. Wall adapter (x1)
  2. Cover(x1)
  3. Device adapter (x1)
  4. M4x12 CAP Screws (x2)
  5. M4 Nuts (x2)
  6. Serrated washers (x2)

#### Key properties:

- Dimensions: (W/H/D): 319mm (12.56")/ 291mm (11.46")/ 81.6mm (3.21")
- Weight: 0.4Kg, 0.88lbs.
- Material: Moisture resistant MDF (compliant with TSCA Title VI)





Model: WS RF FOR RUCKUS R850

Family: WALL-SMART

DWG NO. 083-4-097-SPC

Model No.: 083-1-097

PRODUCT SPEC.

REVISION A

DATE 14/SEP/2021

