



Model: WS NC FOR RUCKUS R850

Family: WALL-SMART

DWG NO. 083-4-015-SPC

Model No.: 083-1-015

PRODUCT SPEC.

REVISION A

DATE 04/MAY/2021



### Make Your Wall Smart

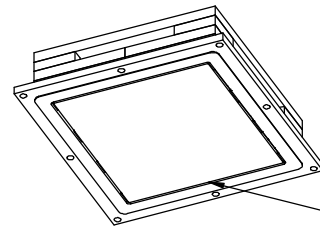
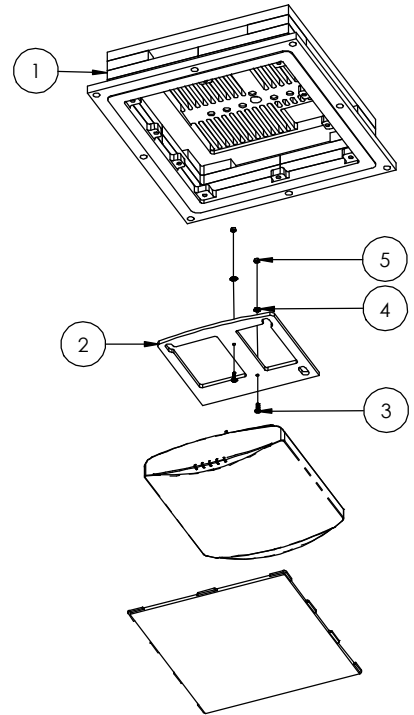
#### “WS NC FOR RUCKUS R850” - Product description:

The “WS NC FOR RUCKUS R850” is an adapter for in-wall flush installation of a RUCKUS R850 access point.

The “WS NC FOR RUCKUS R850” firmly mounts the device allowing easy access, insertion and operation.

#### Key features and benefits:

- Flush with the wall.
- Paintable with the wall paint in any color and texture.
- Allows easy insertion and removal of the device.
- The adapter is supplied unpainted (To be painted after installation as part of the wall).
- Designed to be installed in 1/2” drywall. Installation of the Wall-Smart adapter is straight-forward. Installation process is similar to drywall construction procedures. Before installation, read Wall-Smart installation instruction 10-04-00101-INS in <http://www.wall-smart.com/faq>
- Designed for the use with RUCKUS R850 access point (by COMMSCOPE) (not included).
- Adapter kit contains:
  1. Wall adapter (x1)
  2. Device adapter (x1)
  3. M4X12 Screws (x2)
  4. Serrated washers (x2)
  5. M4 nuts (x2)



KEEP VENTILATION GAP CLEAR FROM DRYWALL COMPOUND

#### Key properties:

- Dimensions (W/H/D): 332mm (13.07")/ 360mm (14.16")/83mm (3.27")
- Power Supply: None (manual adapter).
- Weight: 2.1Kg, 4.63lbs.
- Material: Moisture resistant MDF.
- To be installed in 1/2” drywall (for installation in 5/8” drywall use 1/8” shim pack P/N 10-01-067 (sold separately)).

