



Model: WS NC FOR ACCESS POINT M
Installation of Juniper AP43 Access Point

Family: WALL-SMART
DWG NO. 083-4-015-INST Juniper AP43

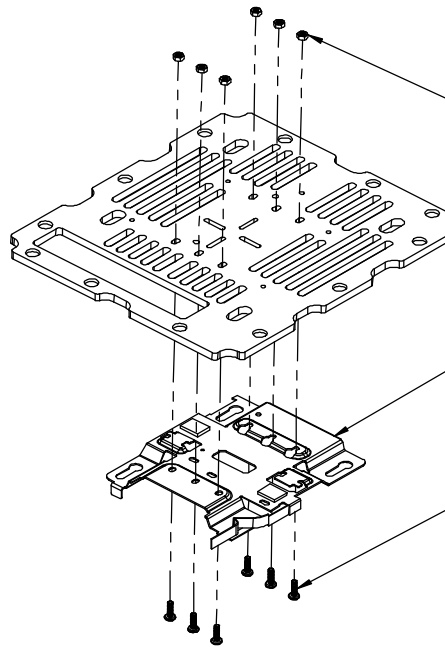
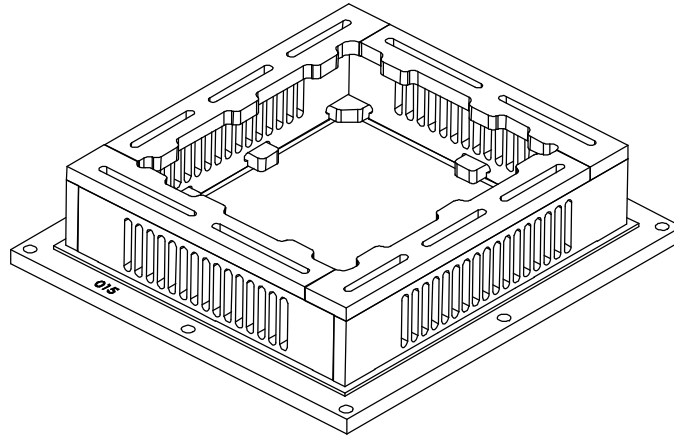
Model No.: 083-1-015

PRODUCT SPEC.

REVISION A
DATE 08/DEC./2022



Installation instruction for Juniper AP43 Access Point



M4 nuts X6 (item #5)

JUNIPER AP back plate

M4X12 cap screws X6 (item #4)

JUNIPER AP43

