



Model: WS NC FOR LG AC Smart IV
BACnet Gateway

Family: WALL-SMART

DWG NO. 079-4-787-SPC



Model No.: 079-1-787

PRODUCT SPEC.

REVISION A

DATE 10/FEB/2021

Make Your Wall Smart

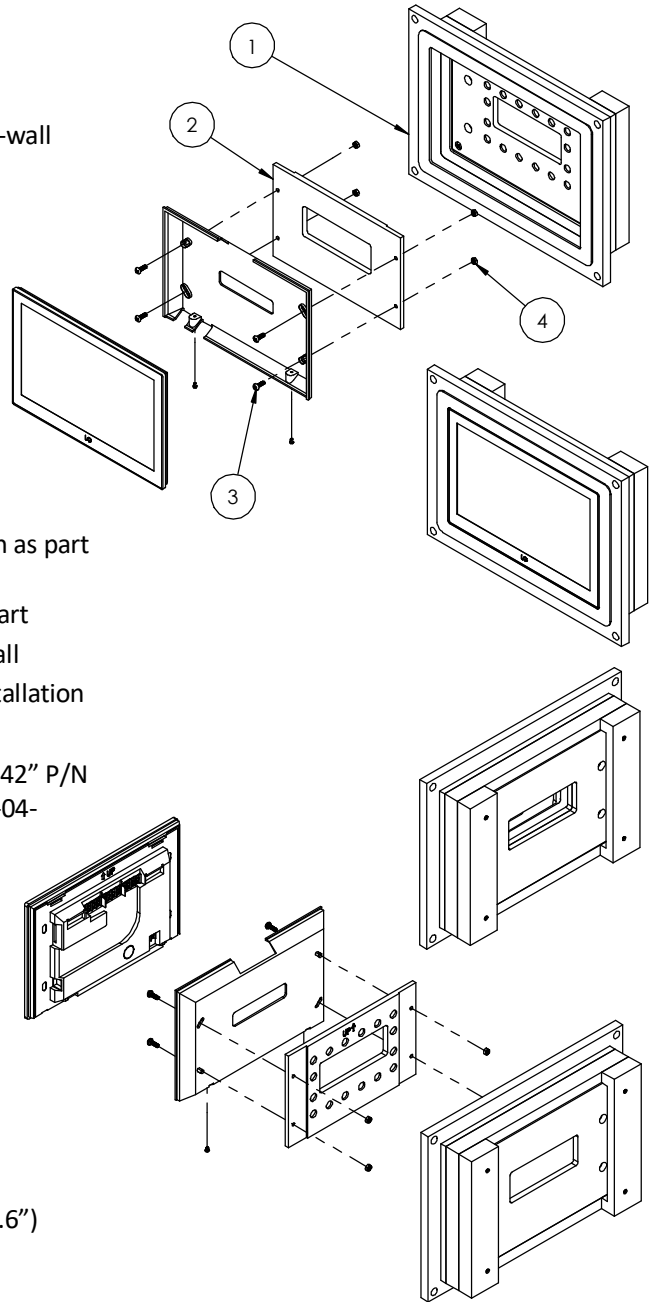
“WS NC FOR LG AC Smart IV BACnet Gateway” - Product description:

The “WS NC FOR LG AC Smart IV BACnet Gateway” is an adapter for in-wall flush installation of LG AC Smart IV BACnet Gateway controller.

The “WS NC FOR LG AC Smart IV BACnet Gateway” firmly mounts the controller while allowing easy access, insertion and operation.

Key features and benefits:

- Flush with the wall.
- Paintable with the wall paint in any color and texture.
- Includes depth calibration mechanism.
- Allows easy insertion and removal of the controller.
- The adapter is supplied unpainted (To be painted after installation as part of the wall).
- Designed to be installed in 1/2” drywall. Installation of the Wall-Smart adapter is straight-forward. Installation process is similar to drywall construction procedures. Before installation, read Wall-Smart installation instruction 10-04-00101-INS in <http://www.wall-smart.com/faq>
- For installation in concrete/block wall use “CONCRETE BOX 328X242” P/N 100-01-789 (sold separately) according installation instruction 10-04-00103-INS in <http://www.wall-smart.com/faq>
- Designed for the use with AC Smart IV BACnet Gateway (model PBACNA000 by LG) (not included).
- Adapter kit contains:
 1. Wall adapter (x1)
 2. Screen adapter (x1)
 3. M4X12 Screws (x4)
 4. M4 Nuts (x4)



Key properties:

- Dimensions (W/H/D): 327mm (12.87")/ 241mm (9.49")/ 66mm (2.6")
- Power Supply: None (manual adapter).
- Weight: 1.1Kg, 2.42lbs.
- Material: Moisture resistant MDF
- To be installed in 1/2” drywall (for installation in 5/8” drywall use 1/8” shim pack P/N 10-01-067 (sold separately)).

