



Model: WS NC FOR AIPHONE JO-1MD

Model No.: 007-1-874

Family: WALL-SMART

DWG NO. 078-4-874-SPC

PRODUCT SPEC.

REVISION A

DATE 25/NOV./2020



**Make Your Wall Smart**

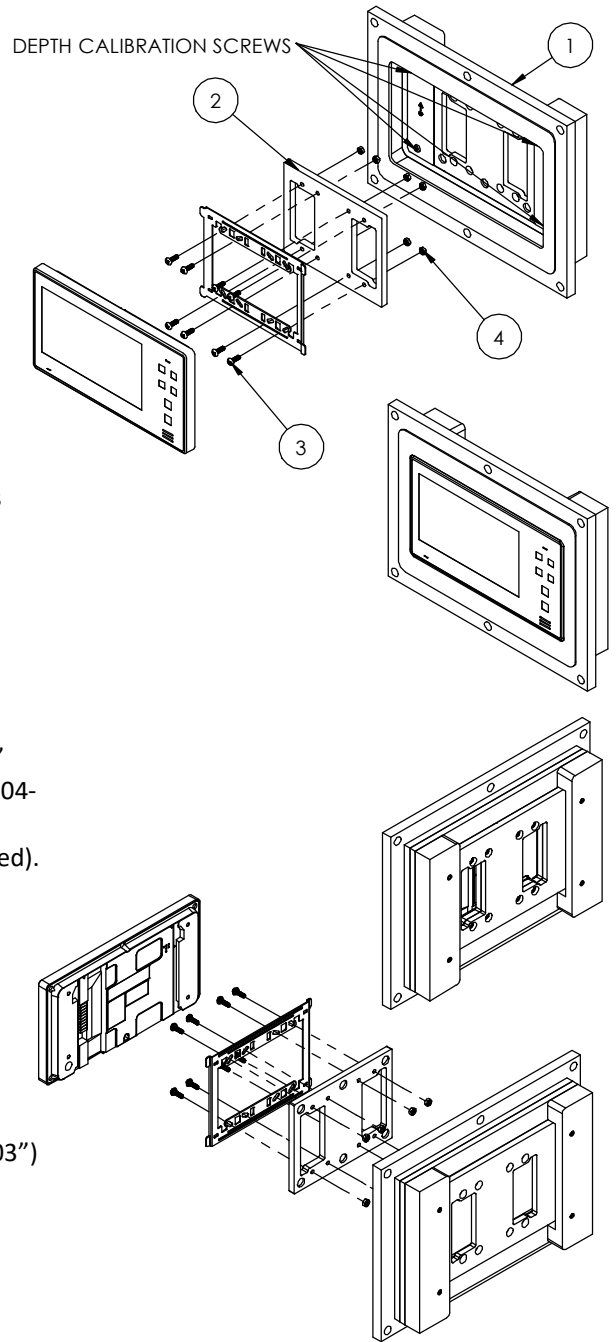
**“WS NC FOR AIPHONE JO-1MD” - Product description:**

The “WS NC FOR AIPHONE JO-1MD” is an adapter for in-wall flush installation of AIPHONE JO-1MD monitor.  
The “WS NC FOR AIPHONE JO-1MD” firmly mounts the monitor while allowing easy access, insertion and operation.

**Key features and benefits:**

- Flush with the wall.
- Paintable with the wall paint in any color and texture.
- Includes depth calibration mechanism.
- Allows easy insertion and removal of the monitor.
- The adapter is supplied unpainted (To be painted after installation as part of the wall).
- Designed to be installed in 1/2” drywall. Installation of the Wall-Smart adapter is straight-forward. Installation process is similar to drywall construction procedures. Before installation, read Wall-Smart installation instruction 10-04-00101-INS in <http://www.wall-smart.com/faq>
- For installation in concrete/block wall use “CONCRETE BOX 300X225” P/N 10-01-446 (sold separately) according installation instruction 10-04-00103-INS in <http://www.wall-smart.com/faq>
- Designed for the use with JO-1MD monitor (by AIPHONE) (not included).
- Adapter kit contains:

1. Wall adapter (x1)
2. Monitor adapter (x1)
3. M4X12 Screws (x8)
4. M4 Nuts (x8)



**Key properties:**

- Dimensions (W/H/D): 298mm (11.73")/ 223mm (8.78")/ 51.6mm (2.03")
- Power Supply: None (manual adapter).
- Weight: 0.9Kg, 1.98lbs.
- Material: Moisture resistant MDF
- To be installed in 1/2” drywall (for installation in 5/8” drywall use 1/8” shim pack P/N 10-01-067 (sold separately)).

