



Model: WS SB FOR LEGRAND
ADORNE AWP3GXX4

Model No.: 077-1-865

Family: WALL-SMART

DWG NO. 077-4-865-SPC

PRODUCT SPEC.

REVISION A

DATE 09/Feb./2025



Make Your Wall Smart

“WS SB FOR LEGRAND ADORNE AWP3GXX4”- Product description:

The “WS SB FOR LEGRAND ADORNE AWP3GXX4” is an adapter for in-wall flush installation of a LEGRAND ADORNE AWP3GXX4 devices in solid board walls.

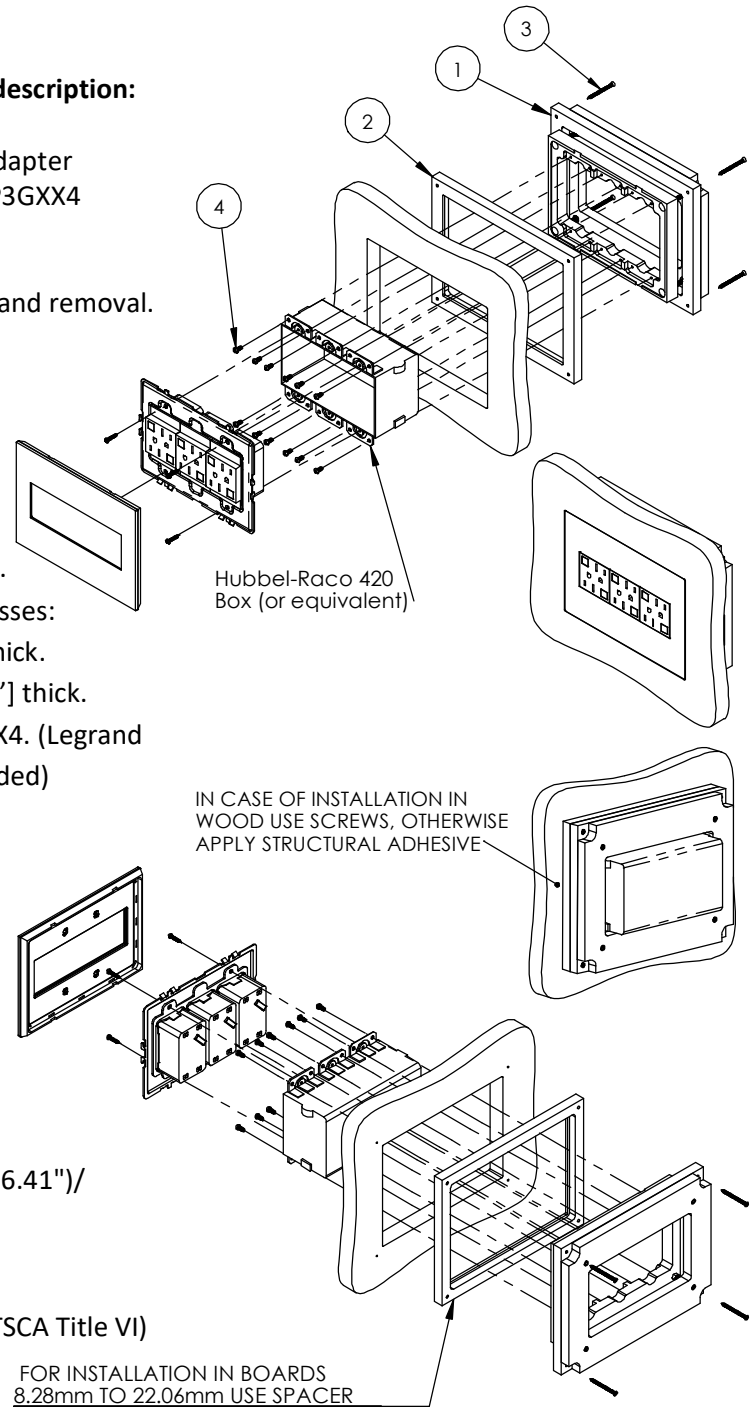
The “WS SB FOR LEGRAND ADORNE AWP3GXX4” firmly mounts the device while allowing easy access, insertion and removal.

Key features and benefits:

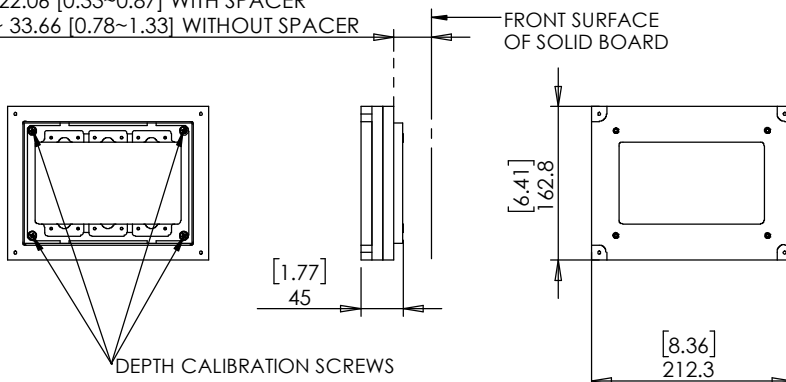
- Allows easy insertion and removal.
- Flush with the wall.
- Allows easy maintenance access.
- Includes depth calibration mechanism and a spacer.
- allowing installation in wide range of board thicknesses:
With spacer: 8.28mm ~ 22.06mm [0.33” ~ 0.87”] thick.
Without spacer 19.88mm ~ 33.66mm [0.78” ~ 1.33”] thick.
- Designed for the use with Legrand Adrone AWP3GXX4. (Legrand frame, wall plate, outlets and back box are not included)
- Use routing template as spacer.
- Installation kit contains:
 1. Wall adapter (x1)
 2. Spacer (x1)
 3. ST3x40 screws (x4)
 4. #6x5/16” Screws (x12)
 5. Suction cup (X1)

Key properties:

- Dimensions (W/H/D): 212.3mm (8.36")/ 162.8mm (6.41")/ 45mm (1.77")
- Power Supply: None (manual adapter).
- Weight: 0.4Kg, 0.88lbs.
- Material: Moisture resistant MDF (compliant with TSCA Title VI)

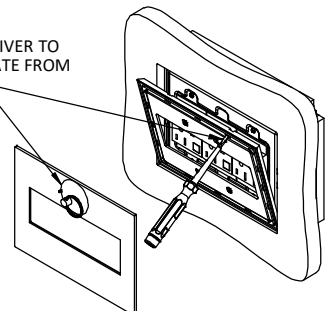


SOLID BOARD THICKNESS RANGE:
8.28 ~ 22.06 [0.33~0.87] WITH SPACER
19.88 ~ 33.66 [0.78~1.33] WITHOUT SPACER



TO REMOVE:

1. USE THE SUCTION CUP TO PULL FRONT PART OF WALL PLATE.
2. USE A SCREWDRIVER TO DETACH WALL PLATE FROM FRAME.





Model: WS SB FOR LEGRAND
ADORNE AWP3GXX4

Family: WALL-SMART

DWG NO. 077-4-865-SPC



Model No.: 007-1-865

PRODUCT SPEC.

REVISION A

DATE 09/Feb/2025

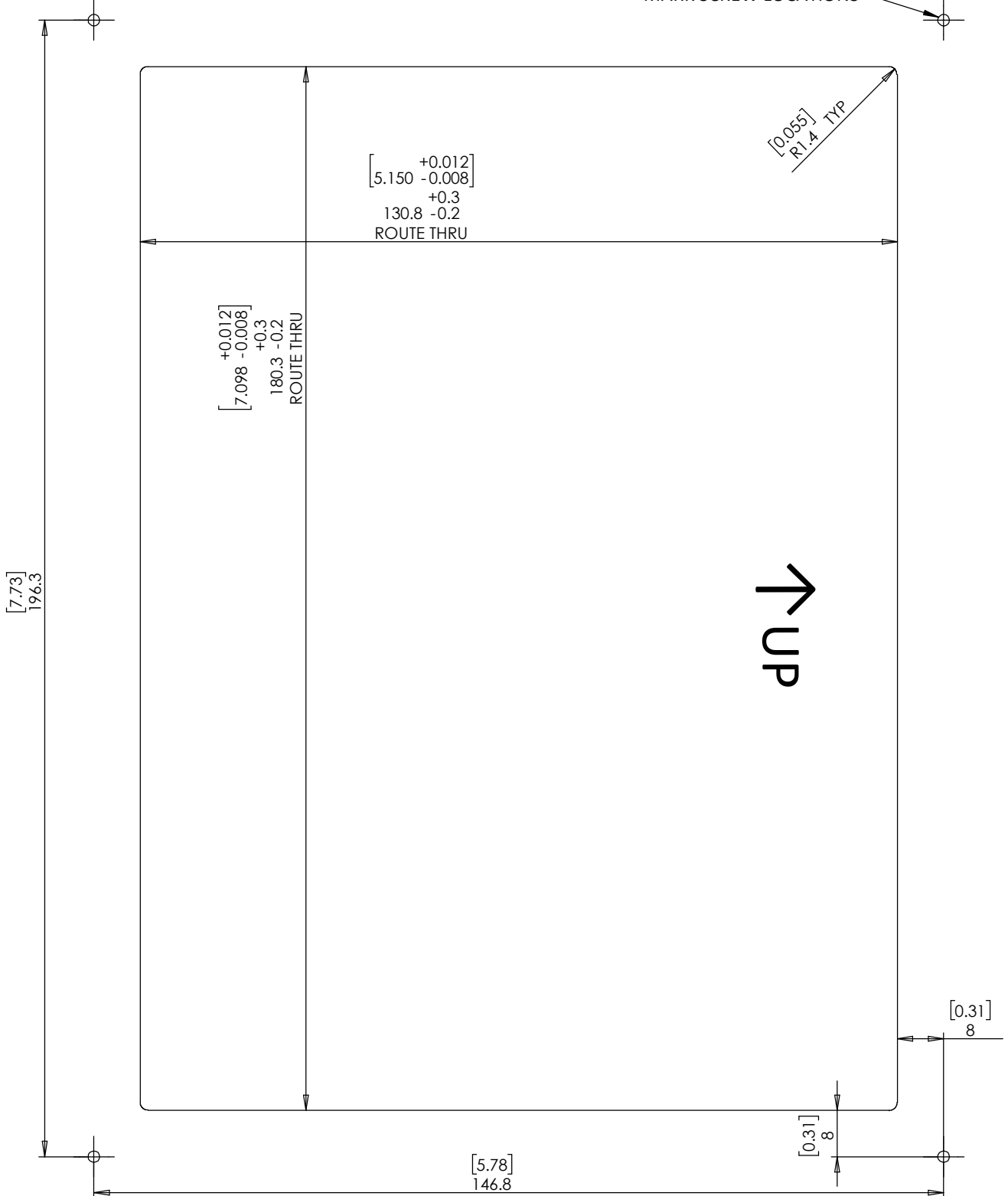
CUTOUT ROUTING TEMPLATE - BACK VIEW

077-1-865

SCALE 1:1

CONTACT WALL-SMART FOR DXF FILE

MARK SCREW LOCATIONS



PRINT THIS PAGE 1:1 SCALE