



Model: WS SB FOR LEGRAND  
ADORNE AWP2GXX4

Model No.: 077-1-863

Family: WALL-SMART

DWG NO. 077-4-863-SPC

PRODUCT SPEC.

REVISION A

DATE 09/Feb./2025



## Make Your Wall Smart

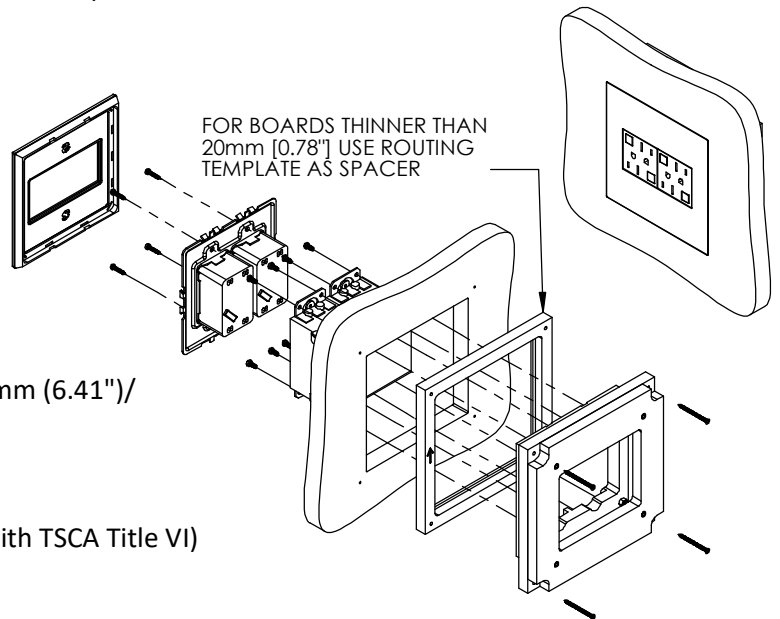
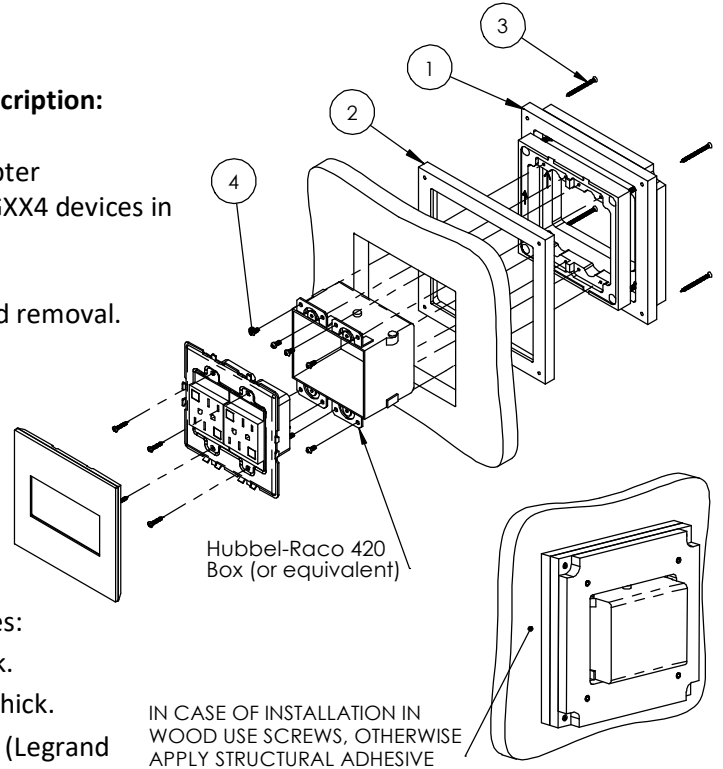
### “WS SB FOR LEGRAND ADORNE AWP2GXX4”- Product description:

The “WS SB FOR LEGRAND ADORNE AWP2GXX4” is an adapter for in-wall flush installation of a LEGRAND ADORNE AWP2GXX4 devices in solid board walls.

The “WS SB FOR LEGRAND ADORNE AWP2GXX4” firmly mounts the device while allowing easy access, insertion and removal.

### Key features and benefits:

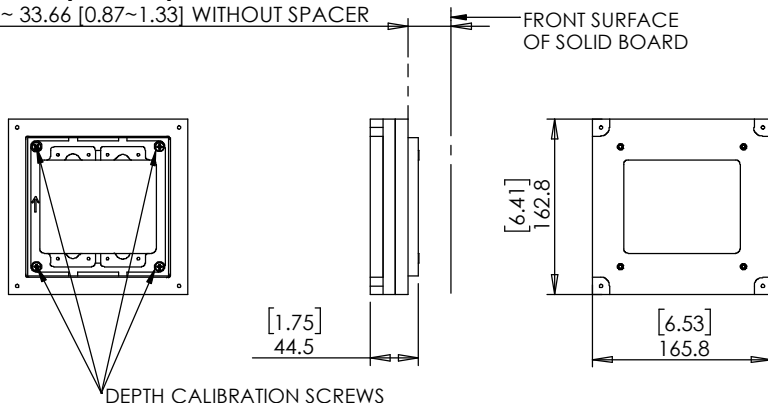
- Allows easy insertion and removal.
- Flush with the wall.
- Allows easy maintenance access.
- Includes depth calibration mechanism and a spacer.
- allowing installation in wide range of board thicknesses:  
With spacer: 8.18mm ~ 22.06mm [0.32" ~ 0.78"] thick.  
Without spacer 19.78mm ~ 33.66mm [0.87" ~ 1.33"] thick.
- Designed for the use with Legrand Adrone AWP2GXX4. (Legrand frame, wall plate, outlets and back box are not included)
- Use routing template as spacer.
- Installation kit contains:
  1. Wall adapter (x1)
  2. Spacer (x1)
  3. ST3x40 screws (x4)
  4. #6x5/16" Screws (x8)
  5. Suction cup (X1)



### Key properties:

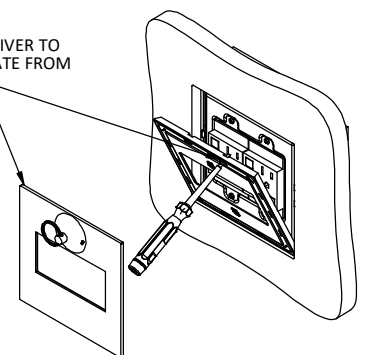
- Dimensions (W/H/D): 165.8mm (6.53")/ 162.8mm (6.41")/ 44.5mm (1.75")
- Power Supply: None (manual adapter).
- Weight: 0.4Kg, 0.88lbs.
- Material: Moisture resistant MDF (compliant with TSCA Title VI)

SOLID BOARD THICKNESS RANGE:  
8.18 ~ 22.06 [0.32~0.78] WITH SPACER  
19.78 ~ 33.66 [0.87~1.33] WITHOUT SPACER



### TO REMOVE:

1. USE THE SUCTION CUP TO PULL FRONT PART OF WALL PLATE.
2. USE A SCREWDRIVER TO DETACH WALL PLATE FROM FRAME.





Model: WS SB FOR LEGRAND  
ADORNE AWP2GXX4

Family: WALL-SMART

DWG NO. 077-4-863-SPC



Model No.: 007-1-863

PRODUCT SPEC.

REVISION A

DATE 09/Feb/2025

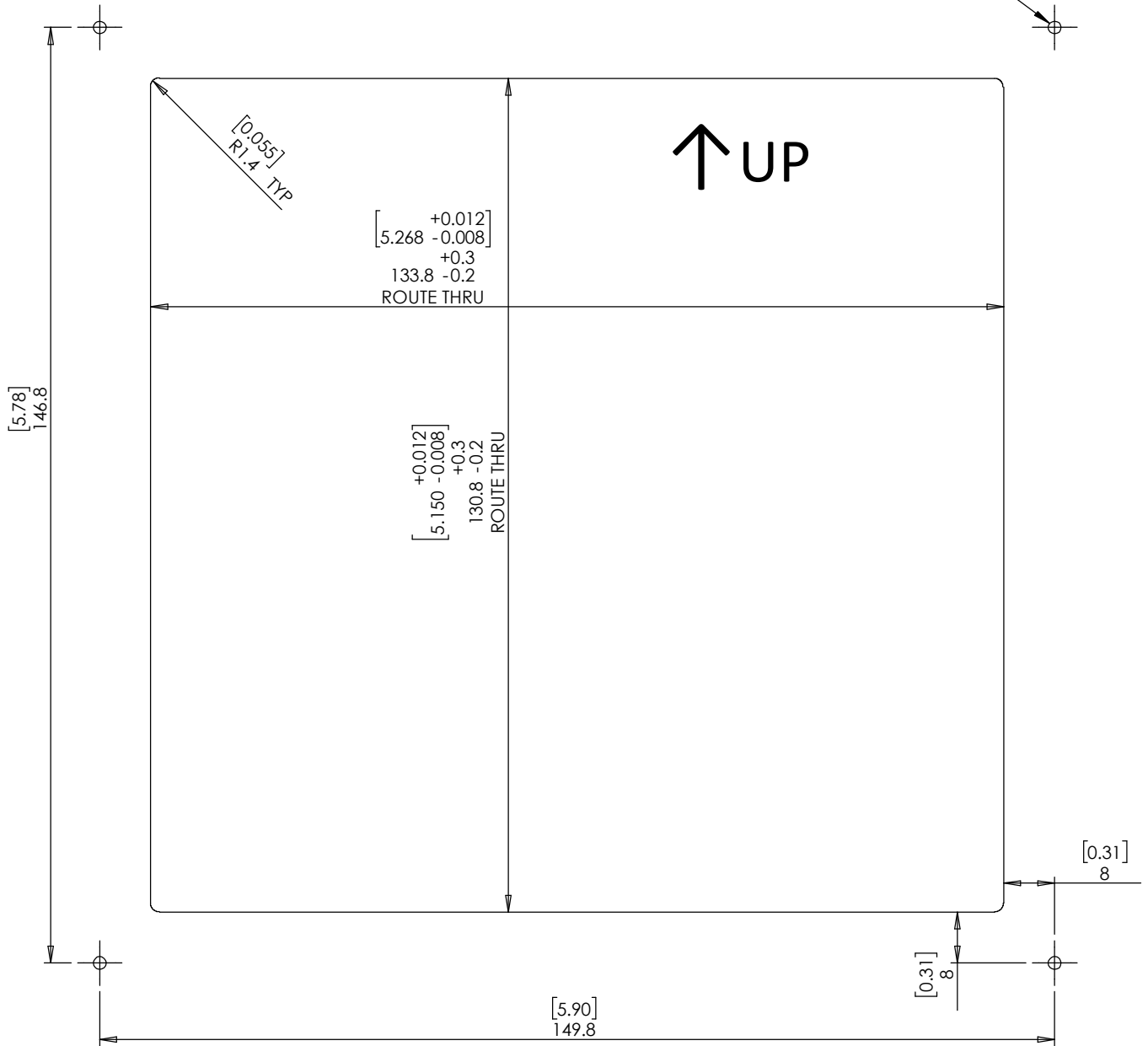
# CUTOUT ROUTING TEMPLATE - BACK VIEW

## 077-1-863

SCALE 1:1

CONTACT WALL-SMART FOR DXF FILE

MARK SCREW LOCATIONS



**PRINT THIS PAGE 1:1 SCALE**