



Model: WS SB FOR LEGRAND ADORNE AWP1G2XX6

Family: WALL-SMART

DWG NO. 077-4-861-SPC



Model No.: 077-1-861

PRODUCT SPEC.

REVISION A
DATE 10/AUG/2021

Make Your Wall Smart

“WS SB FOR LEGRAND ADORNE AWP1G2XX6- Product description:

The “WS SB FOR LEGRAND ADORNE AWP1G2XX6” is an adapter for in-wall flush installation of a LEGRAND ADORNE AWP1G2XX6 devices in solid board walls.

The “WS SB FOR LEGRAND ADORNE AWP1G2XX6” firmly mounts the device while allowing easy access, insertion and removal.

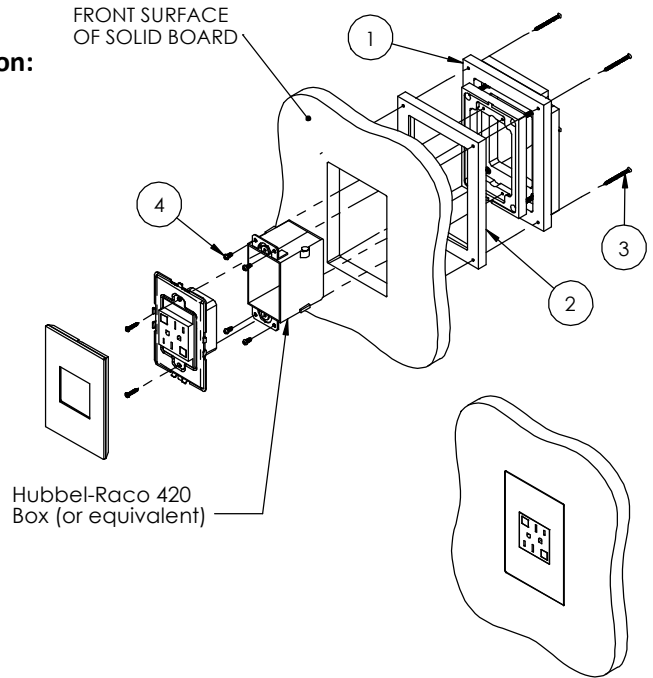
Key features and benefits:

- Allows easy insertion and removal.
- Flush with the wall.
- Allows easy maintenance access.
- Includes depth calibration mechanism and a spacer.
- allowing installation in wide range of board thicknesses:
With spacer: 4mm ~ 21.0mm [0.16" ~ 0.83"] thick.
Without spacer 15.4mm ~ 32.6mm [0.6" ~ 1.28"] thick.
- Designed for the use with Legrand adrone AWP1G2XX6. (Legrand frame, wall plate, outlets and back box are not included)
- Use routing template as spacer.
- Installation kit contains:
 1. Wall adapter (x1)
 2. Routing template (x1)
 3. ST3x40 screws (x4)
 4. #6x5/16" Screws (x4)

Key properties:

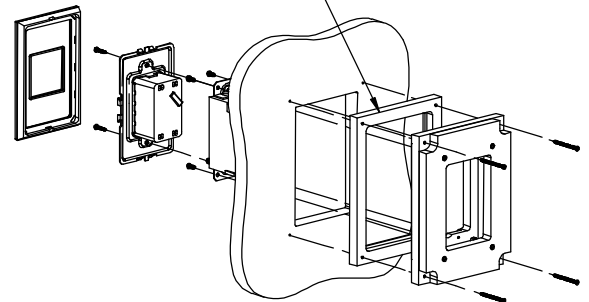
- Dimensions (W/H/D): 120.6mm (4.75")/ 163.3mm (6.43")/ 42.0mm (1.65")
- Power Supply: None (manual adapter).
- Weight: 0.35Kg, 0.77lbs.
- Material: Moisture resistant MDF (compliant with TSCA Title VI)

FRONT SURFACE OF SOLID BOARD

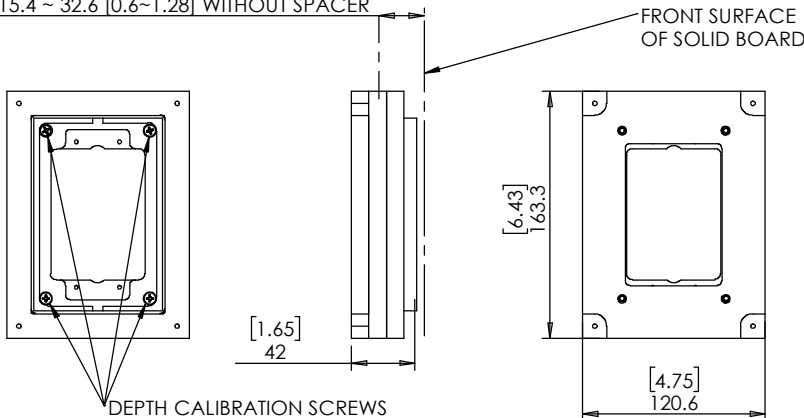


IN CASE OF INSTALLATION IN WOOD USE SCREWS, OTHERWISE APPLY STRUCTURAL ADHESIVE

FOR BOARDS THINNER THAN 21mm [0.83"] USE ROUTING TEMPLATE AS SPACER



SOLID BOARD THICKNESS RANGE:
4 ~ 21 [0.16~0.83] WITH SPACER
15.4 ~ 32.6 [0.6~1.28] WITHOUT SPACER



TO REMOVE, USE THE SUCTION CUP TO PULL WALL PLATE FROM FRAME



Model: WS SB FOR LEGRAND
ADORNE AWP1G2XX6

Family: WALL-SMART

DWG NO. 077-4-861-SPC

Model No.: 007-1-861

PRODUCT SPEC.

REVISION A

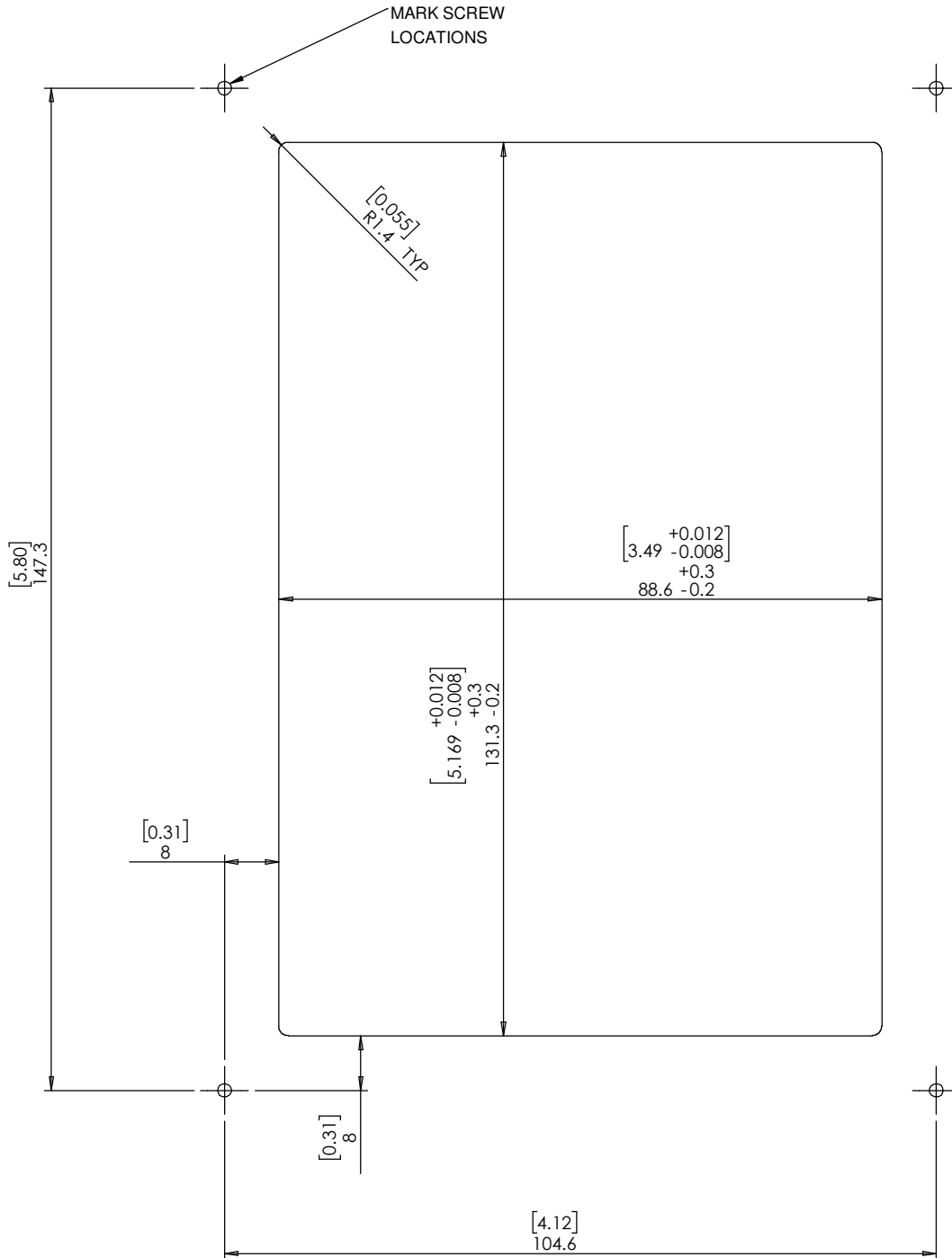
DATE 10/AUG/2021



CUTOUT ROUTING TEMPLATE

077-1-861

SCALE 1:1



PRINT THIS PAGE 1:1 SCALE