



Model: WS RF FOR  
IC REALTIME IPMX-W40F-IRW1

Family: WALL-SMART

DWG NO. 076-4-852-SPC



Model No.: 076-1-852

PRODUCT SPEC.

REVISION A

DATE 17/AUG/2020

## Make Your Wall Smart

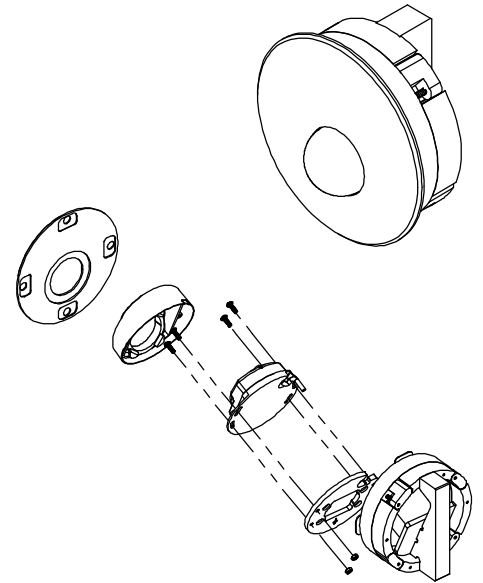
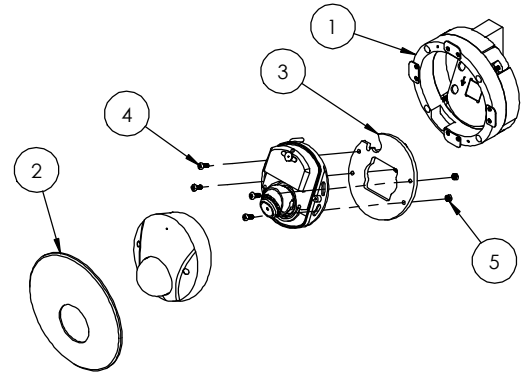
### “WS RF FOR IC REALTIME IPMX-W40F-IRW1” - Product description:

The “WS RF FOR IC REALTIME IPMX-W40F-IRW1” is an adapter for in-wall\ceiling nearly flush retrofit installation of the IC REALTIME IPMX-W40F-IRW1 CAMERA

The “WS RF FOR IC REALTIME IPMX-W40F-IRW1” firmly mounts the camera while allowing easy insertion, removal and operation.

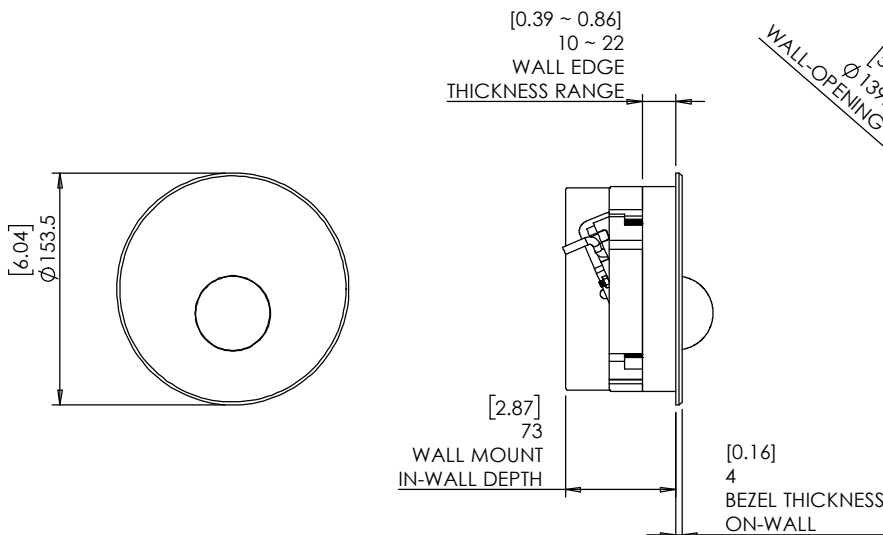
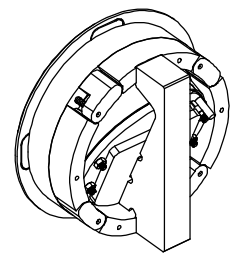
### Key features and benefits:

- Nearly flush with the wall\ceiling (4mm [0.16"] thick on-wall bezel).
- Allows easy insertion and removal of the device.
- Bezel attaches magnetically to the retrofit wall mount base.
- The bezel is supplied painted white matte.
- Designed for the use with IC REALTIME IPMX-W40F-IRW1 (not included).
- Adapter kit contains:
  1. (X1) Wall mount base;
  2. (X1) Bezel;
  3. (X1) Camera adapter;
  4. (X4) M4x12 Screw
  5. (X4) M4 Nut



### Key properties:

- Dimensions: (Dia./H):  $\phi 153.5\text{mm}$  (6.04")/ 77mm (3.03")
- Weight: 0.4Kg, 0.88lbs.
- Material: Moisture resistant MDF (compliant with TSCA Title VI)





Model: WS RF FOR  
IC REALTIME IPMX-W40F-IRW1

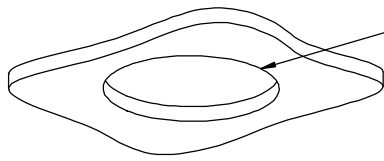
Family: WALL-SMART  
DWG NO. 076-4-852-SPC



Model No.: 076-1-852

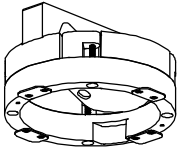
PRODUCT SPEC.

REVISION A  
DATE 17/AUG/2020

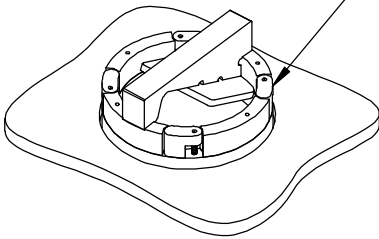


1. CUT OPENING - BOARD THICKNESS 10mm [0.39"]  
UP TO 22mm [0.86"]

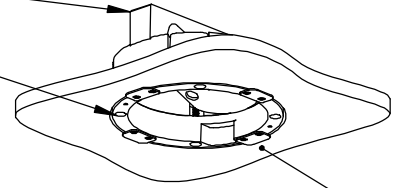
2. ROUTE NECESSARY CABLES



3. INSERT WALL MOUNT BASE  
AND DIRECT THE MOUNT TO  
CORRECT VIEW DIRCTION

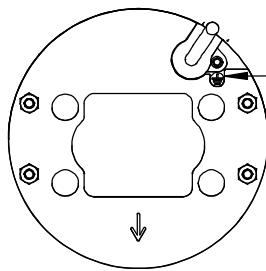


4. GENTLY SCREW CLOCKWISE 4  
RETENTION SCREWS UNTIL CAM  
LATCHES RETAIN THE UNIT

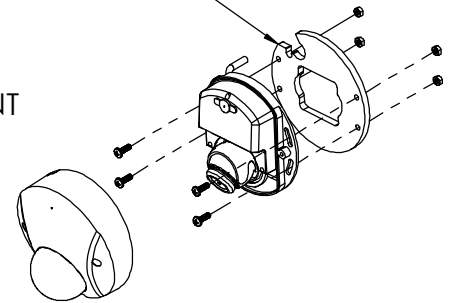


GENERAL VIEW DIRCTION

5. ASSEMBLE CAMERA ADAPTER

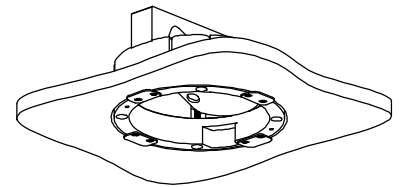
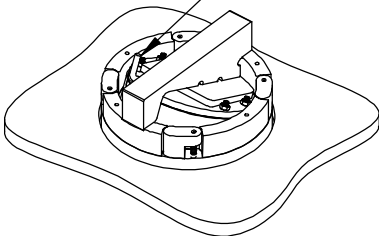


NOTICE PLATE ALIGNMENT

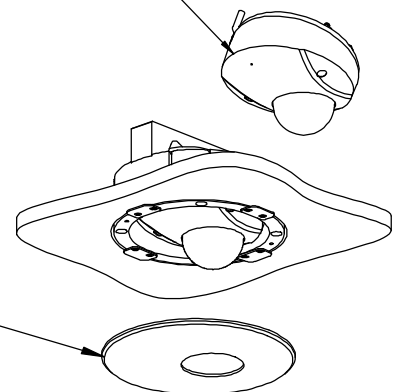


6. CONNECT AND INSERT THE CAMERA

ROUTH CABLE FROM THIS SIDE



7. ATTACH BEZEL (MAGNETICALLY)





Model: WS RF FOR  
IC REALTIME IPMX-W40F-IRW1

Family: WALL-SMART

DWG NO. 076-4-852-SPC



Model No.: 076-1-852

PRODUCT SPEC.

REVISION A

DATE 17/AUG/2020

# CUTOUT ROUTING TEMPLATE

076-1-852

SCALE 1:1

CONTACT WALL-SMART FOR DXF FILE

PLEASE PRINT THIS PAGE 1:1 RATIO

