



Model: WS NC FOR IC REALTIME  
IPMX-W40F-IRW1

Model No.: 076-1-851

Family: WALL-SMART

DWG NO. 076-4-851-SPC

PRODUCT SPEC.

REVISION A

DATE 07/SEP./2020



**Make Your Wall Smart**

**“WS NC FOR IC REALTIME IPMX-W40F-IRW1” - Product description:**

The “WS NC FOR IC REALTIME IPMX-W40F-IRW1” is an adapter for in-wall\ceiling flush installation of IC REALTIME IPMX-W40F-IRW1 camera.

The “WS NC FOR IC REALTIME IPMX-W40F-IRW1” firmly mounts the device while allowing easy access, insertion and operation.

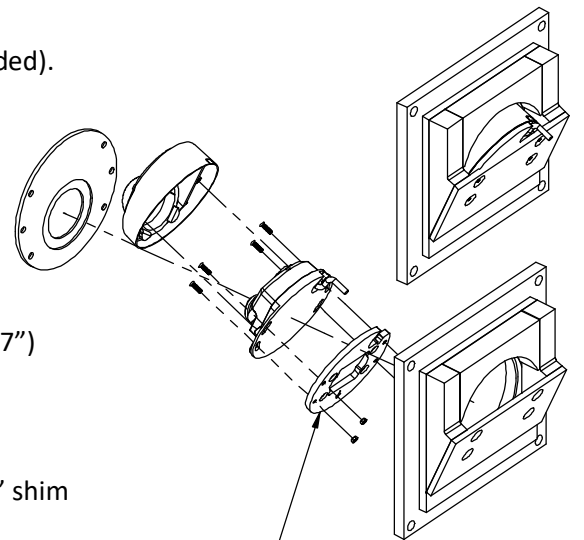
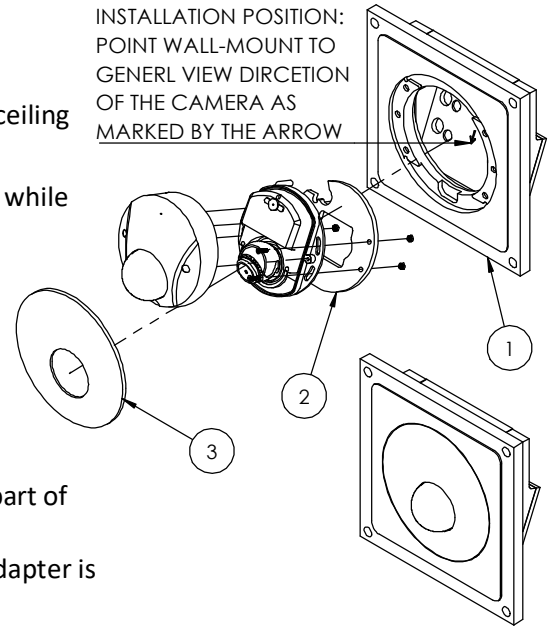
**Key features and benefits:**

- Flush with the wall\ceiling.
- Paintable with the wall\ceiling paint in any color and texture.
- Allows easy insertion and removal of the camera.
- The adapter is supplied unpainted (To be painted after installation as part of the wall\ceiling).
- Designed to be installed in 1/2” drywall. Installation of the Wall-Smart adapter is straight-forward. Installation process is similar to drywall construction procedures. Before installation, read Wall-Smart installation instruction 10-04-00101-INS in <http://www.wall-smart.com/faq>
- Designed for the use with IC REALTIME IPMX-W40F-IRW1 (not included).
- Adapter kit contains:
  1. (x1) Wall adapter
  2. (x1) Camera adapter
  3. (x1) Face plate

**Key properties:**

- Dimensions (W/H/D): 201mm (7.91")/ 201mm (7.91")/ 57.8mm (2.27")
- Power Supply: None (manual adapter).
- Weight: 0.5Kg, 1.1lbs.
- Material: Moisture resistant MDF
- To be installed in 1/2” drywall (for installation in 5/8” drywall use 1/8” shim pack P/N 10-01-067 (sold separately)).

INSTALLATION POSITION:  
POINT WALL-MOUNT TO  
GENERAL VIEW DIRECTION  
OF THE CAMERA AS  
MARKED BY THE ARROW



NOTICE PLATE ALIGNMENT  
GENERAL VIEW DIRECTION

