



Model: WS SB FOR ABB 4M  
TBR/U4.8.1-CG Touch control

Family: WALL-SMART

DWG NO. 070-4-695-SPC



Model No.: 070-1-695

PRODUCT SPEC.

REVISION A  
DATE 09/MAR/2020

## Make Your Wall Smart

### “WS SB FOR ABB 4M TBR/U4.8.1-CG Touch control” - Product description:

The “WS SB FOR ABB 4M TBR/U4.8.1-CG Touch control” is an adapter for in-wall flush installation of a ABB 4M TBR/U4.8.1-CG Touch control in solid board walls.

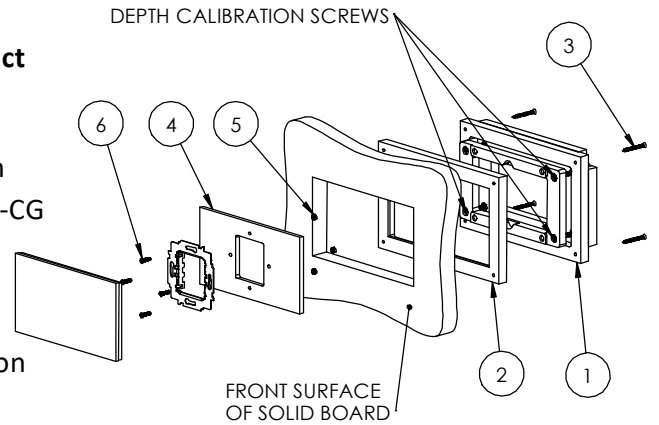
The “WS SB FOR ABB 4M TBR/U4.8.1-CG Touch control” firmly mounts the keypad while allowing easy access, insertion and removal.

### Key features and benefits:

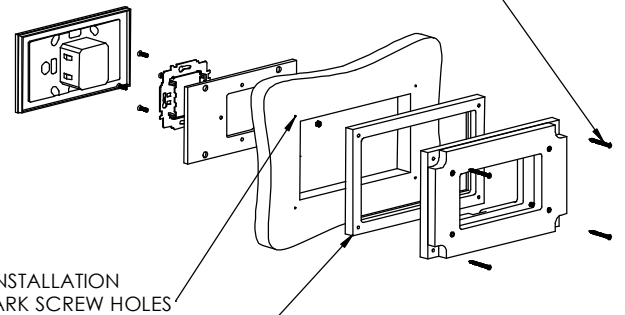
- Allows easy insertion and removal by manual push.
- Wall mount contains depth calibration screws and spacer allowing installation in solid surface boards of 8 [0.31”] up to 34 [1.34”] thickness.
- Installation kit contain:
  1. X1 Wall adapter
  2. X1 Routing template
  3. X4 ST3x30 screws
  4. X1 Touch panel adapter
  5. X4 M3 nuts
  6. X4 M3x12 screws
- Designed for the use with ABB 4M TBR/U4.8.1-CG Touch control (touch panel not included)

### Key properties:

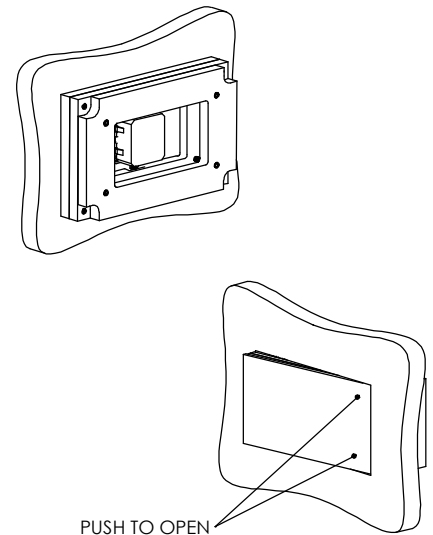
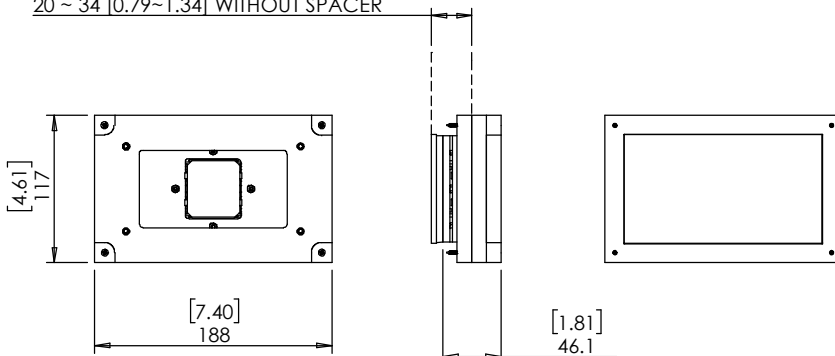
- Dimensions (W/H/D): 188mm (7.4”)/ 117mm (4.61”)/ 46.1mm (1.81”)
- Power Supply: None (manual adapter).
- Weight: 0.5Kg, 1.1lbs.
- Material: Moisture resistant MDF (compliant with TSCA Title VI)



IN CASE OF INSTALLATION IN WOOD USE SCREWS, OTHERWISE APPLY STRUCTURAL ADHESIVE



SOLID BOARD THICKNESS RANGE:  
8~ 22 [0.31~0.86] WITH SPACER  
20 ~ 34 [0.79~1.34] WITHOUT SPACER





Model: WS SB FOR ABB 4M  
TBR/U4.8.1-CG Touch control

Family: WALL-SMART

DWG NO. 070-4-695-SPC



Model No.: 070-1-695

PRODUCT SPEC.

REVISION A

DATE 09/MAR/2020

## ROUTING TEMPLATE for 070-1-695

