



Model: WS NC FOR ARAKNIS AN-510-AP-I-AC

Family: WALL-SMART

DWG NO. 067-4-696-SPC



Model No.: 067-1-696

PRODUCT SPEC.

REVISION A

DATE 24/FEB/2020

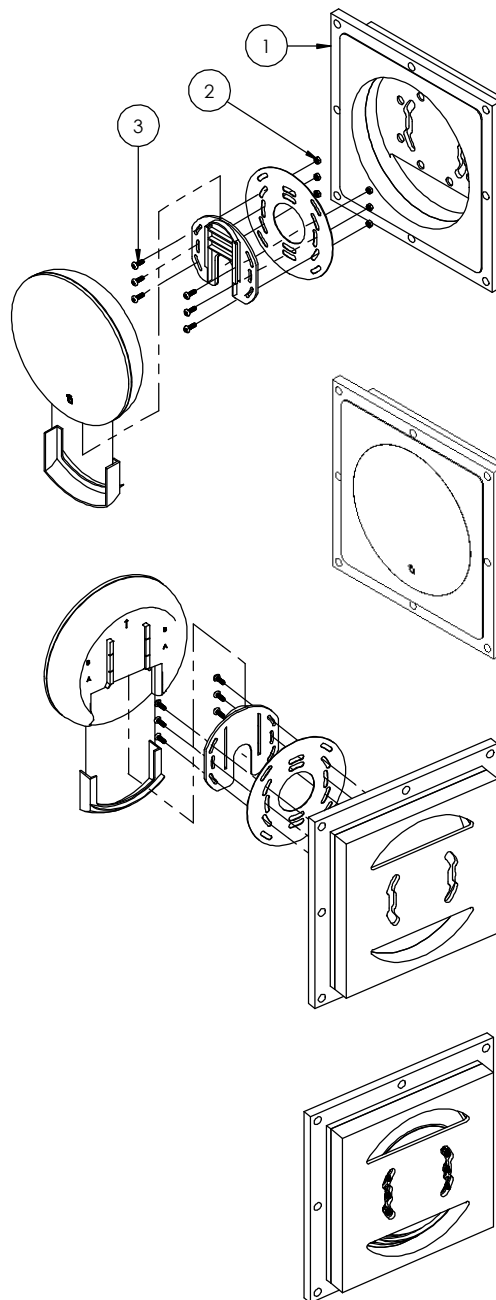
Make Your Wall Smart

“WS NC FOR ARAKNIS AN-510-AP-I-AC” - Product description:

The “WS NC FOR ARAKNIS AN-510-AP-I-AC” is an adapter for in-wall/ceiling flush installation of an ARAKNIS AN-510-AP-I-AC. The “WS NC FOR ARAKNIS AN-510-AP-I-AC” firmly mounts the access point while allowing easy mounting and removal.

Key features and benefits:

- Flush with the wall/ceiling.
- Paintable with the wall/ceiling paint in any color and texture.
- Allows easy insertion and removal of the device.
- The adapter is supplied unpainted (To be painted after installation as part of the wall).
- Designed to be installed in 1/2” drywall. Installation of the Wall-Smart adapter is straight-forward. Installation process is similar to drywall construction procedures. Before installation, read Wall-Smart installation instruction 10-04-00101-INS in <http://www.wall-smart.com/faq>
- Designed for the use with ARAKNIS AN-510-AP-I-AC (not included).
- Adapter kit contains:
 1. (x1) Wall adapter;
 2. (x6) M4 nuts;
 3. (x6) M4x12 screws;



Key properties:

- Dimensions (W/H/D): 256.5mm (10.1")/ 256.5mm (10.1")/ 47.2mm (1.86")
- Power Supply: None (manual adapter).
- Weight: 0.9Kg, 1.98lbs.
- Material: Moisture resistant MDF
- To be installed in 1/2” drywall (for installation in 5/8” drywall use 1/8” shim pack P/N 10-01-067 (sold separately)).

