



Model: WS RETROFIT FOR ARAKNIS AN-500 AP

Family: WALL-SMART

DWG NO. 067-4-419-SPC

Model No.: 067-4-419

PRODUCT SPEC.

REVISION A

DATE 22/July/2019



Make Your Wall Smart

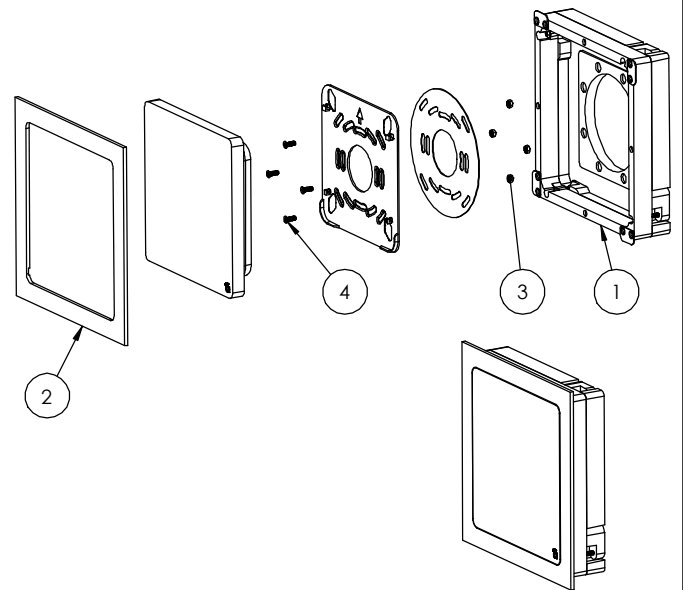
“WS RETROFIT FOR ARAKNIS AN-500 AP” - Product description:

The “WS RETROFIT FOR ARAKNIS AN-500 AP” is an adapter for in-wall nearly flush retrofit installation of an Araknis AN-500 access point.

The “WS RETROFIT FOR ARAKNIS AN-500 AP” firmly mounts the access point while allowing easy insertion and removal.

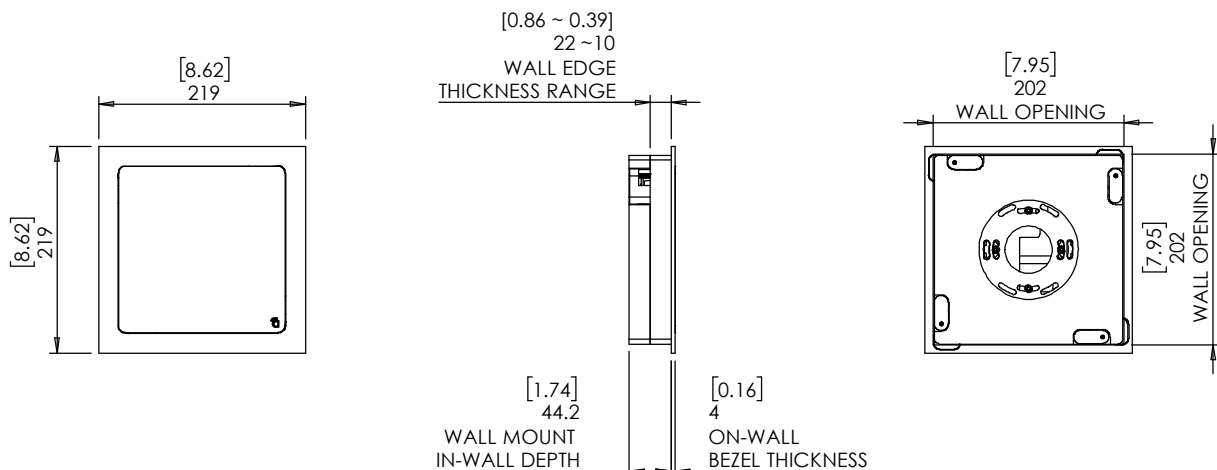
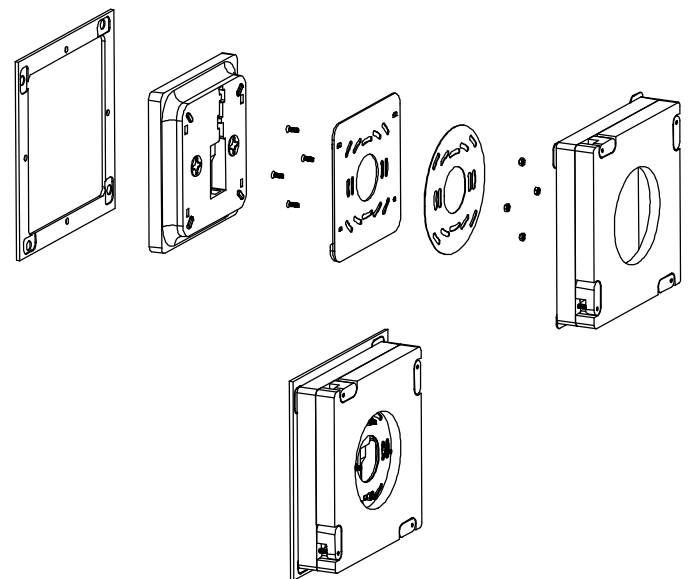
Key features and benefits:

- Nearly flush with the wall/ceiling (4mm [0.16"] thick on-wall bezel).
- Allows easy insertion and removal of the access point.
- Wall/ceiling board thickness 10mm [0.39"] up to 22mm [0.86"]. For boards up to 32mm [1.25"] thick, reinstall cam latches upside down.
- Bezel attaches magnetically to the retrofit wall mount base.
- The bezel is supplied painted matte white.
- Designed for the use with Araknis AN-500 access point (not included).
- Adapter kit contains:
 1. (X1) Wall mount base;
 2. (X1) Bezel;
 3. (X4) M4 nuts;
 4. (X4) M4x12 Screws;



Key properties:

- Dimensions: (W/H/D): 219mm (8.62")/ 219mm (8.62")/ 48.2mm (1.9")
- Weight: 0.95Kg, 2.1lbs.
- Material: Moisture resistant MDF (compliant with TSCA Title VI)





Model: WS RETROFIT FOR ARAKNIS AN-500 AP

Family: WALL-SMART

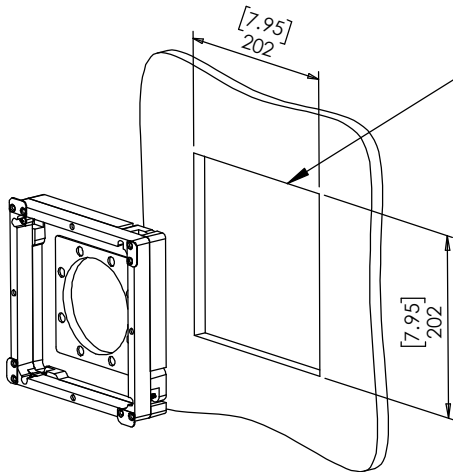
DWG NO. 067-4-419-SPC

Model No.: 067-4-419

PRODUCT SPEC.

REVISION A

DATE 22/July/2019

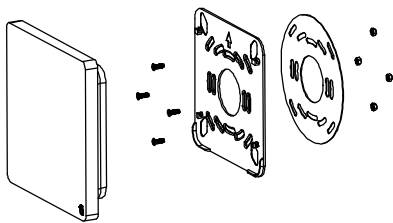
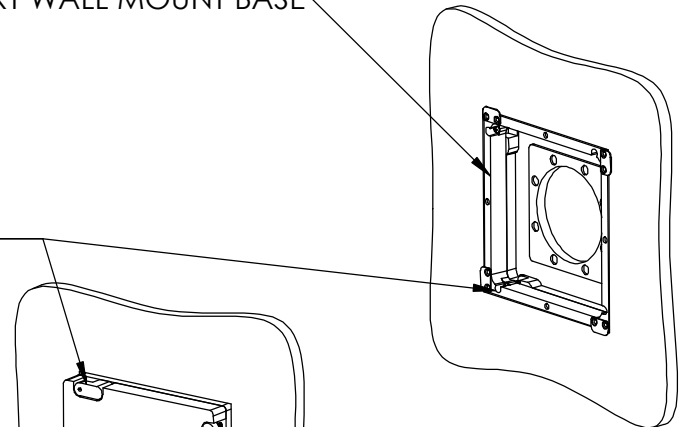


1. CUT OPENING - BOARD THICKNESS 10mm [0.39"] UP TO 22mm [0.86"] (FOR BOARDS UP TO 32mm [1.25"] THICK, REINSTALL CAM LATCHES UPSIDE DOWN.

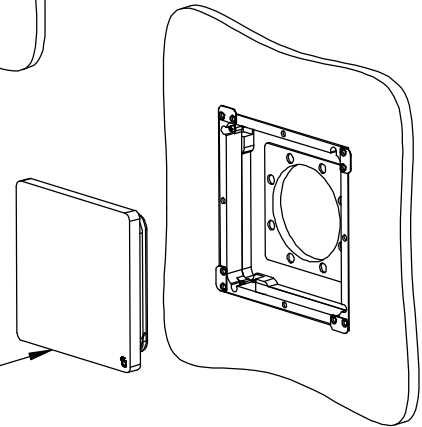
2. ROUTE NECESSARY CABLES

3. INSERT WALL MOUNT BASE

4. GENTLY SCREW CLOCKWISE 4 RETENTION SCREWS UNTIL CAM LATCHES RETAIN THE UNIT.



5. ATTACH ACCESS POINT



6. ATTACH BEZEL (MAGNETICALLY)

