



Model: WS NC FOR JOSH MICRO

Model No.: 065-1-594

Family: WALL-SMART

DWG NO. 065-4-594-SPC

PRODUCT SPEC.

REVISION A

DATE 21/MAY/2019



### Make Your Wall Smart

#### “WS NC FOR JOSH MICRO” - Product description:

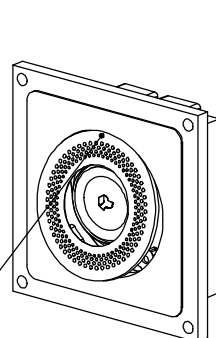
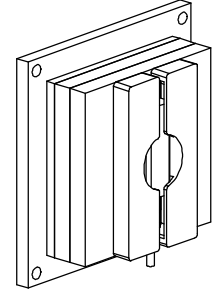
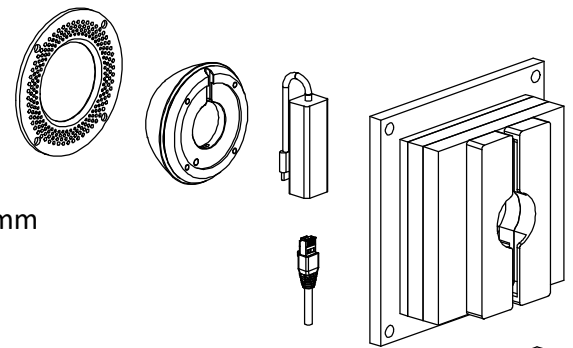
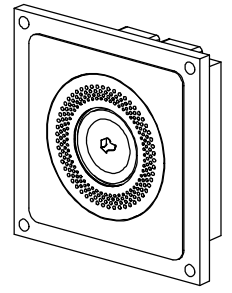
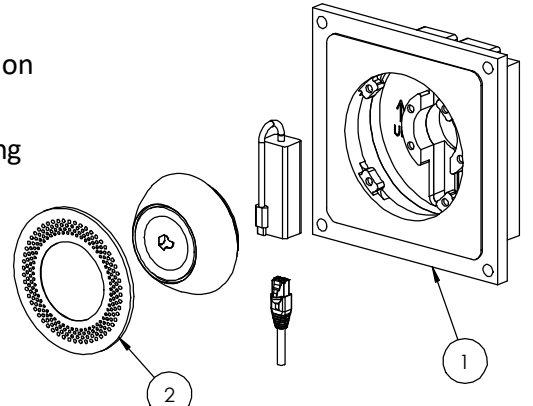
The “WS NC FOR JOSH MICRO” is an adapter for in-wall flush installation of Josh Micro device.

The “WS NC FOR JOSH MICRO” firmly mounts the device while allowing easy access, insertion and operation.

#### Key features and benefits:

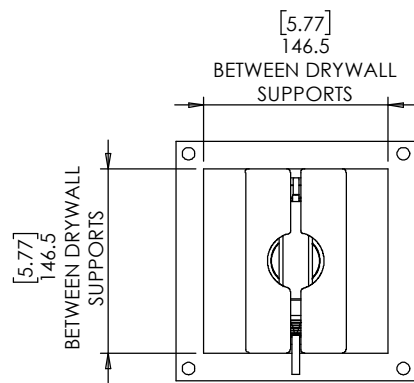
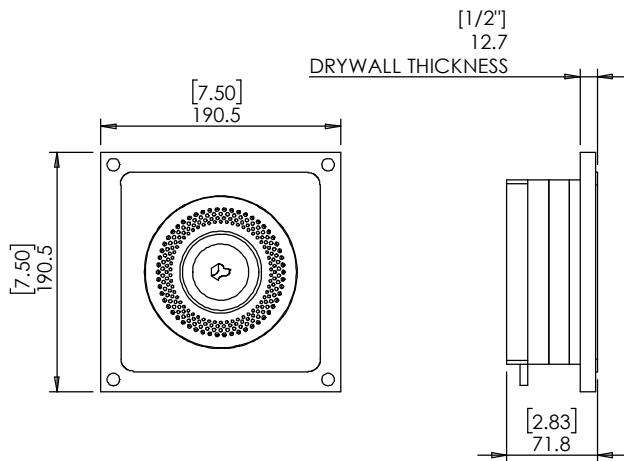
- Flush with the wall.
- Paintable with the wall paint in any color and texture.
- Allows easy insertion and removal of the plate.
- The adapter is supplied unpainted (To be painted after installation as part of the wall).
- Designed to be installed in 1/2” drywall. Installation of the Wall-Smart adapter is straight-forward. Installation process is similar to drywall construction procedures. Before installation, read Wall-Smart installation instruction 10-04-00101-INS in <http://www.wall-smart.com/faq>
- Designed for the use with Josh Micro (not included).
- Adapter kit contains:

1. (x1) Wall adapter;
2. (x1) Bezel;



#### Key properties:

- Dimensions (W/H/D): 190.5mm (7.5")/ 190.5mm (7.5")/ 71.8mm (2.83")
- Power Supply: None (manual adapter).
- Weight: 0.5Kg, 1.1lbs.
- Material: Moisture resistant MDF
- To be installed in 1/2” drywall (for installation in 5/8” drywall use 1/8” shim pack P/N 10-01-067 (sold separately)).



PUSH TO OPEN