



Model: WS SB FOR LUTRON VIETRI RA3 UK KEYPAD

Model No.: 058-1SA29

Family: WALL-SMART

DWG NO. 058-4SA29-SPC

PRODUCT SPEC.

REVISION A

DATE 27/Jan./2025



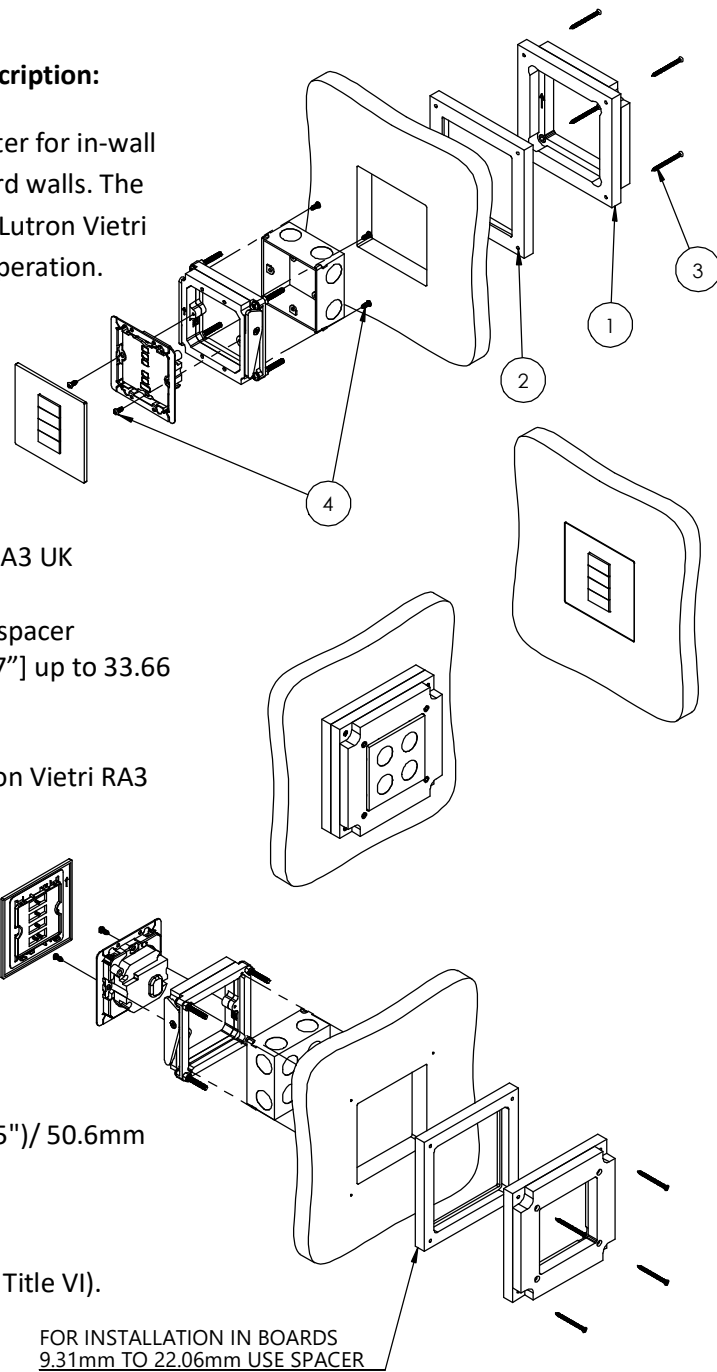
Make Your Wall Smart

“WS SB FOR LUTRON VIETRI RA3 UK KEYPAD” - Product description:

The “WS SB FOR LUTRON VIETRI RA3 UK KEYPAD” is an adapter for in-wall flush installation of Lutron Vietri RA3 UK Keypad in solid board walls. The “WS SB FOR LUTRON VIETRI RA3 UK KEYPAD” firmly mounts Lutron Vietri RA3 UK Keypad while allowing easy insertion, removal and operation.

Key features and benefits:

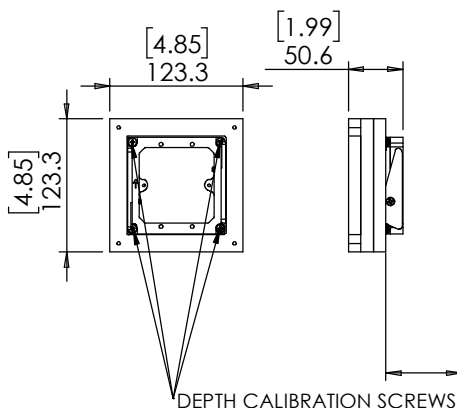
- Flush with the solid surface wall.
- Wall mount may be mounted in any orientation.
- Allows easy insertion and removal of the Lutron Vietri RA3 UK Keypad.
- Wall mount contains depth calibration mechanism and spacer allowing installation in solid surface boards of 9.31 [0.37"] up to 33.66 [1.33"] thickness.
- See page 2 for routing dimensions.
- Designed for the use Lutron Vietri RA3 UK Keypad (Lutron Vietri RA3 UK Keypad is not included).
- Adapter kit contains:
 1. Wall adapter (X1)
 2. Spacer (X1)
 3. ST3x40 screws (X4)
 4. KA3.5X8 Screws (X6)



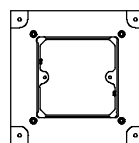
Key properties:

- Dimensions: (W/H/D): 123.3mm (4.85")/ 123.3mm (4.85")/ 50.6mm (1.99").
- Power Supply: None (manual adapter).
- Weight: 0.4Kg, 0.88lbs.
- Material: Moisture resistant MDF (compliant with TSCA Title VI).

FOR INSTALLATION IN BOARDS
9.31mm TO 22.06mm USE SPACER

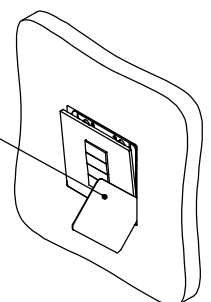


FRONT SURFACE OF SOLID BOARD



TO OPEN THE FACEPLATE, INSERT AND PUSH A THIN PLASTIC CARD INTO THE VERTICAL GAP

SOLID BOARD THICKNESS RANGE:
9.31~ 22.06 [0.37"~0.87"] WITH SPACER
20.91 ~ 33.66 [0.82"~1.33"] WITHOUT SPACER





Model: WS SB FOR LUTRON VIETRI RA3
UK KEYPAD

Family: WALL-SMART

DWG NO. 058-4SA29-SPC

Model No.: 058-1SA29

PRODUCT SPEC.

REVISION A
DATE 27/Jan./2025



CUTOUT ROUTING TEMPLATE
058-1SA29

PRINT THIS PAGE 1:1 SCALE

SCALE 1:1

CONTACT WALL-SMART FOR DXF FILE

MARK SCREW LOCATIONS

