



Model: WS NC FOR LUTRON VIETRI RA3 UK KEYPAD

Model No.: 058-1NA28

Family: WALL-SMART

DWG NO. 058-4NA28-SPC

PRODUCT SPEC.

REVISION A

DATE 27/Jan./2025



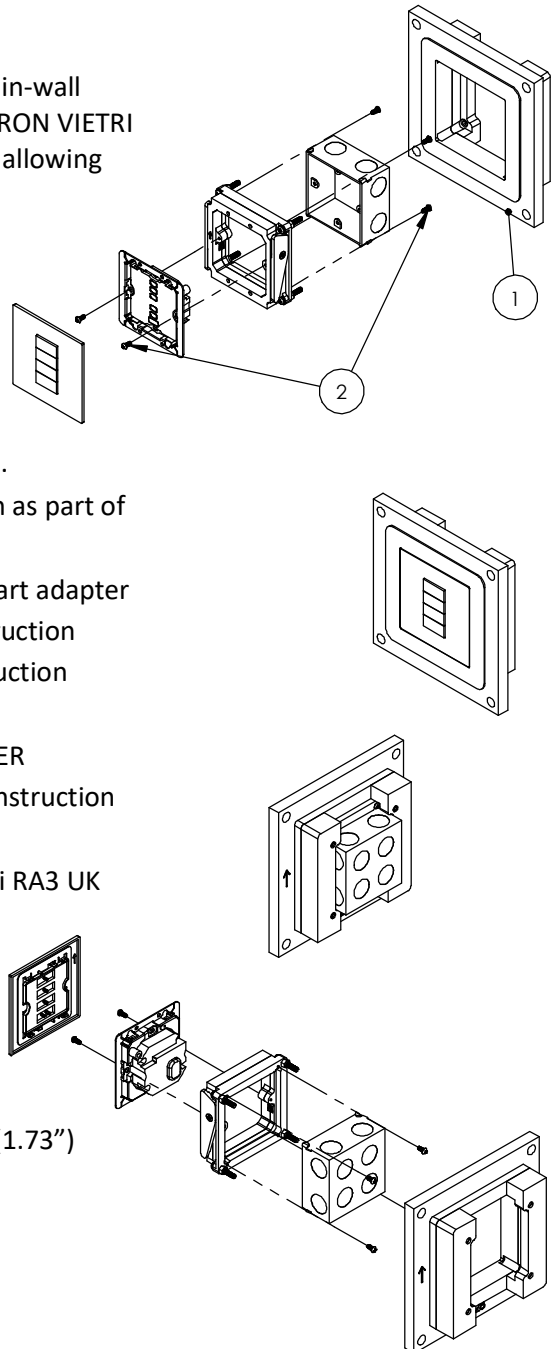
Make Your Wall Smart

“WS NC FOR LUTRON VIETRI RA3 UK KEYPAD” - Product description:

The “WS NC FOR LUTRON VIETRI RA3 UK KEYPAD” is a wall adapter for in-wall flush installation of Lutron Vietri RA3 UK Keypad. The “WS NC FOR LUTRON VIETRI RA3 UK KEYPAD” firmly mounts the Lutron Vietri RA3 UK Keypad while allowing easy insertion, removal and operation.

Key features and benefits:

- Flush with the wall.
- Paintable with the wall paint in any color and texture.
- Includes depth calibration mechanism
- Allows easy insertion and removal of Lutron Vietri RA3 UK Keypad.
- The adapter is supplied unpainted (To be painted after installation as part of the wall).
- Designed to be installed in ½” drywall. Installation of the Wall-Smart adapter is straight-forward. Installation process is similar to drywall construction procedures. Before installation, read Wall-Smart installation instruction 10-04-00101-INS in <http://www.wall-smart.com/faq>
- For installation in concrete/block wall use “WS CONCRETE ADAPTER 165X165” P/N 10-01-746 (sold separately) according installation instruction 10-04-00103-INS in <http://www.wall-smart.com/faq>
- Designed for the use of Lutron Vietri RA3 UK Keypad (Lutron Vietri RA3 UK Keypad is not included).
- Adapter kit contains:
 1. Wall adapter (X1)
 2. KA3.5X8 Screws (X6)



Key properties:

- Dimensions: (W/H/D): 163.82mm (6.45")/ 163.82mm (6.45")/ 44 (1.73")
- Power Supply: None (manual adapter).
- Weight: 0.3Kg, 0.66lbs.
- Material: Moisture resistant MDF (compliant with TSCA Title VI)

