



Model: WS NC FOR LUTRON PALLADIOM SQUARE 3G SOCKET MATTE

Family: WALL-SMART

DWG NO. 058-4-892-SPC



Model No.: 058-1-892

PRODUCT SPEC.

REVISION A

DATE 01/NOV/2021

Make Your Wall Smart

“WS NC FOR LUTRON PALLADIOM SQUARE 3G SOCKET MATTE” - Product description:

The “WS NC FOR LUTRON PALLADIOM SQUARE 3G SOCKET MATTE” is an adapter for in-wall flush installation of a LUTRON Palladiom square style 3 gang matte faceplate and accessories.

The “WS NC FOR LUTRON PALLADIOM SQUARE 3G SOCKET MATTE” firmly mounts the faceplate and accessories allowing easy access, insertion and operation.

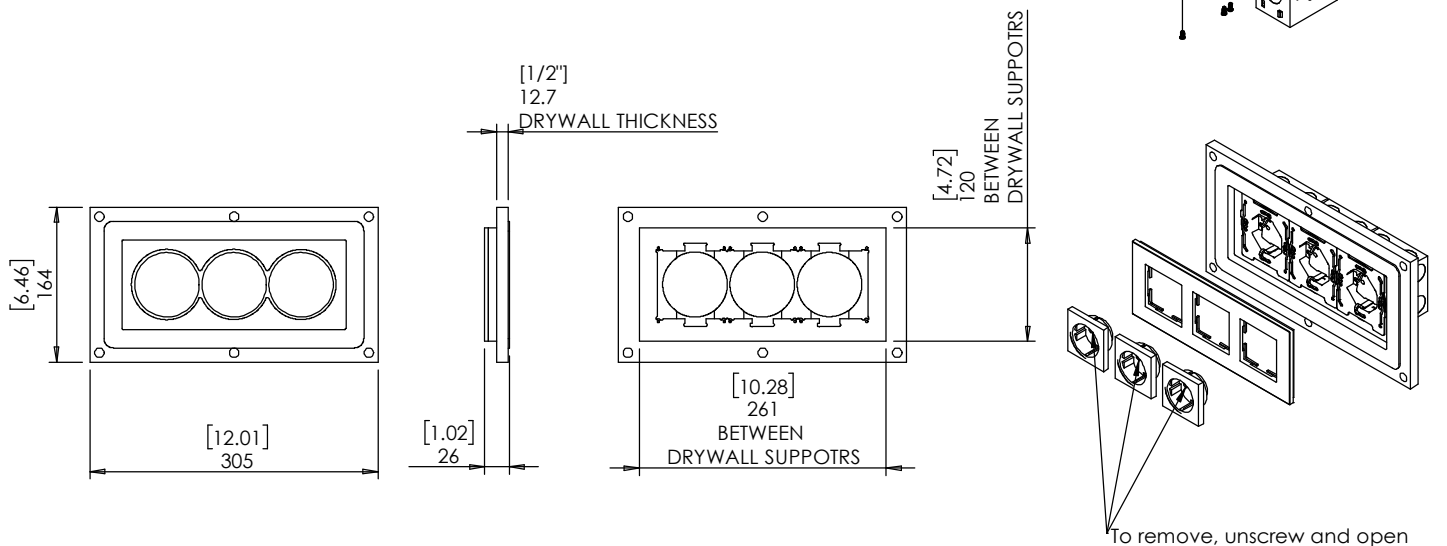
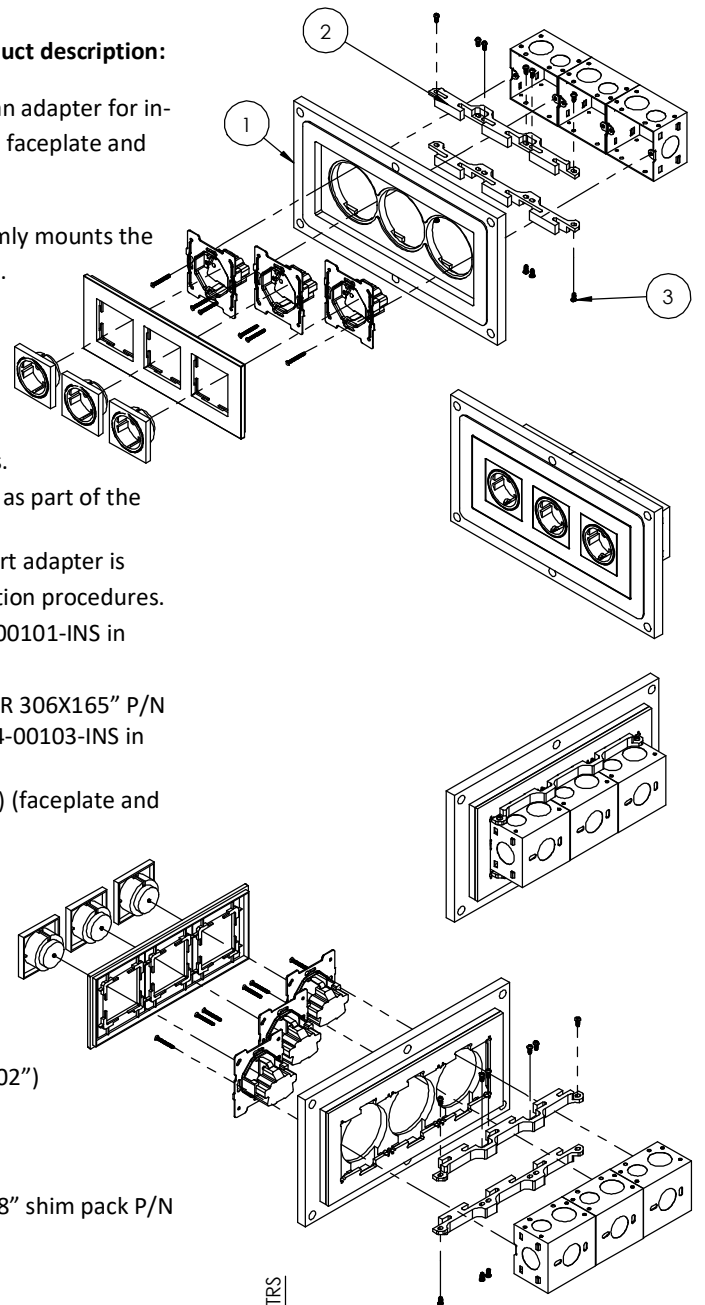
Key features and benefits:

- Flush with the wall.
- Paintable with the wall paint in any color and texture.
- Allows easy insertion and removal of the faceplate and accessories.
- The adapter is supplied unpainted (To be painted after installation as part of the wall).
- Designed to be installed in 1/2" drywall. Installation of the Wall-Smart adapter is straight-forward. Installation process is similar to drywall construction procedures. Before installation, read Wall-Smart installation instruction 10-04-00101-INS in <http://www.wall-smart.com/faq>
- For installation in concrete/block wall use “WS CONCRETE ADAPTER 306X165” P/N 10-01-748 (sold separately) according installation instruction 10-04-00103-INS in <http://www.wall-smart.com/faq>
- Designed for the use with LWT-S-AAA matte faceplate (by Lutron©) (faceplate and accessories not included).
- Adapter kit contains:

1. Wall adapter (x1)
2. GB/T 17466.1 back box adapter (x2)
3. KA3.5X8 Screws (x12)

Key properties:

- Dimensions (W/H/D): 305mm (12.01")/ 164mm (6.46")/ 26mm (1.02")
- Power Supply: None (manual adapter).
- Weight: 0.5Kg, 1.10lbs.
- Material: Moisture resistant MDF.
- To be installed in 1/2" drywall (for installation in 5/8" drywall use 1/8" shim pack P/N 10-01-067 (sold separately)).





Model: WS NC FOR LUTRON PALLADIOM SQUARE 3G SOCKET MATTE

Model No.: 058-1-892

Family: WALL-SMART

DWG NO. 058-4-892-SPC

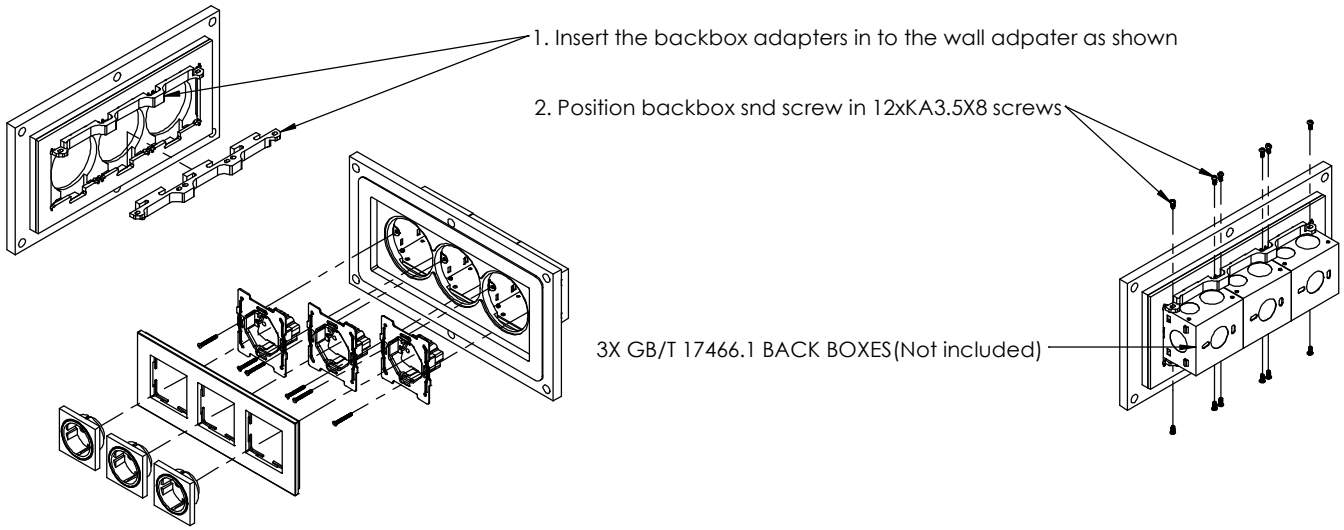
PRODUCT SPEC.

REVISION A

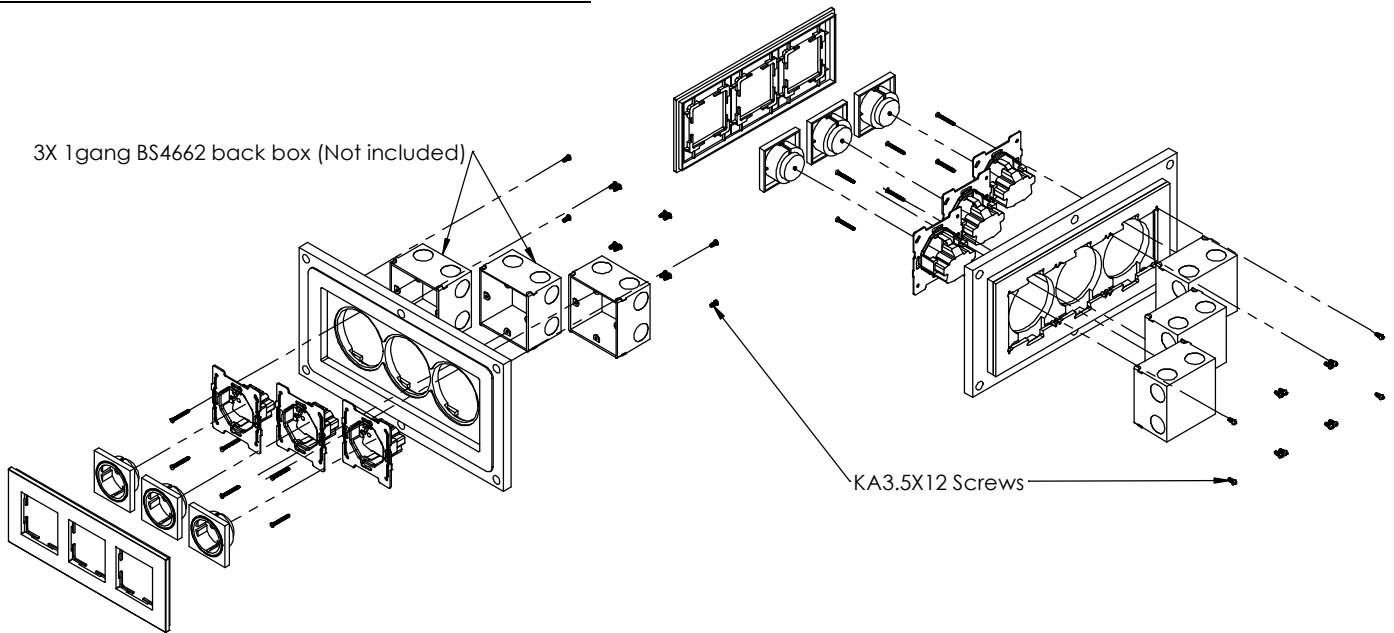
DATE 11/NOV/2021



INSTALLTION WITH 3X GB/T 17466.1 BACK BOX



INSTALLTION WITH X3 BS4662 1GANG BACK BOX



INSTALLTION WITH 3X JUNCTION BOX FOR HOLE Ø68mm (DIN 49073-1)

3X 1gang junction box for hole Ø68mm
Dimensions to DIN 49073-1 (Not included)

