



Model: WS NC FOR LUTRON PALLADIOM SQUARE 2G SOCKET MATTE

Model No.: 058-1-889

Family: WALL-SMART

DWG NO. 058-4-889-SPC

PRODUCT SPEC.

REVISION A

DATE 19/MAY/2021



**Make Your Wall Smart**

**“WS NC FOR LUTRON PALLADIOM SQUARE 2G SOCKET MATTE” - Product description:**

The “WS NC FOR LUTRON PALLADIOM SQUARE 2G SOCKET MATTE” is an adapter for in-wall flush installation of a LUTRON Palladiom square style 2 gang matte faceplate and accessories.

The “WS NC FOR LUTRON PALLADIOM SQUARE 2G SOCKET MATTE” firmly mounts the faceplate and accessories allowing easy access, insertion and operation.

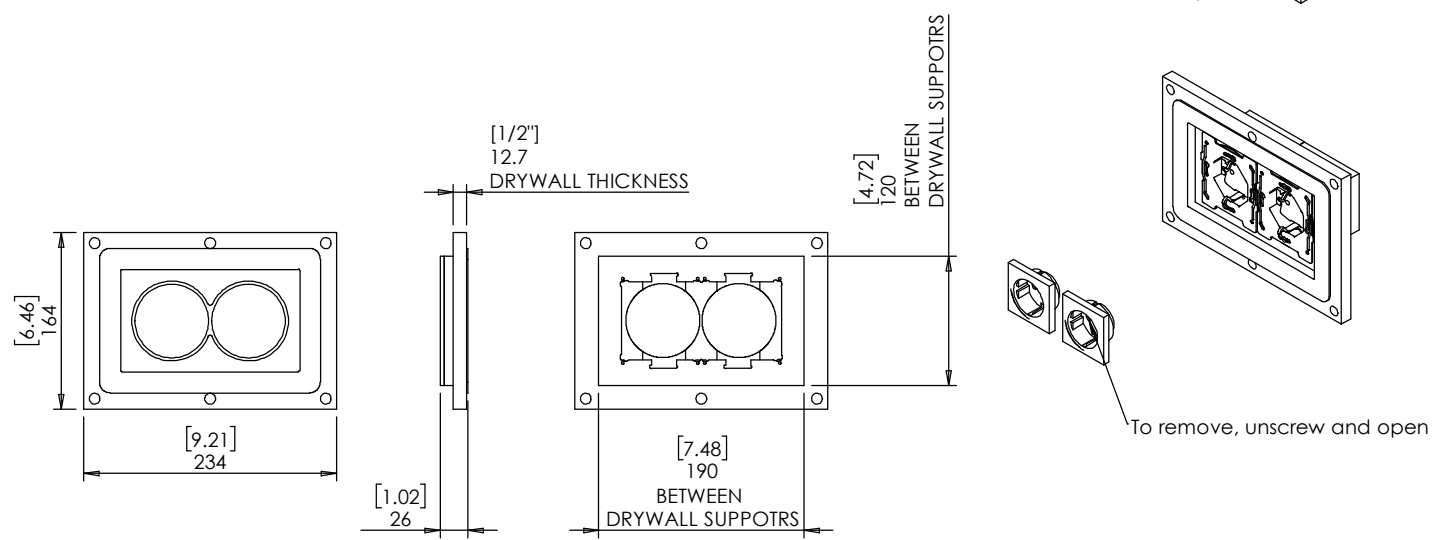
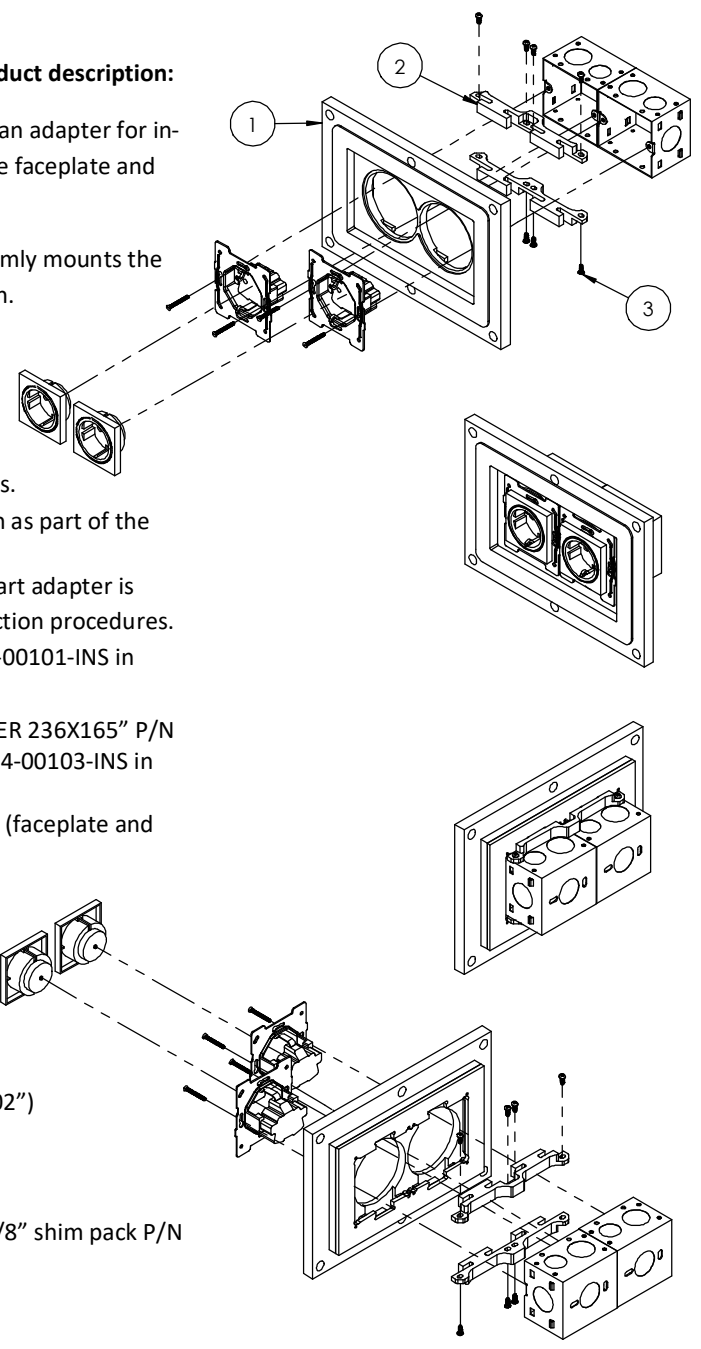
**Key features and benefits:**

- Flush with the wall.
- Paintable with the wall paint in any color and texture.
- Allows easy insertion and removal of the faceplate and accessories.
- The adapter is supplied unpainted (To be painted after installation as part of the wall).
- Designed to be installed in 1/2" drywall. Installation of the Wall-Smart adapter is straight-forward. Installation process is similar to drywall construction procedures. Before installation, read Wall-Smart installation instruction 10-04-00101-INS in <http://www.wall-smart.com/faq>
- For installation in concrete/block wall use “WS CONCRETE ADAPTER 236X165” P/N 10-01-747 (sold separately) according installation instruction 10-04-00103-INS in <http://www.wall-smart.com/faq>
- Designed for the use with LWT-S-AA matte faceplate (by Lutron©) (faceplate and accessories not included).
- Adapter kit contains:

1. Wall adapter (x1)
2. GB/T 17466.1 back box adapter (x2)
3. KA3.5X8 Screws (x8)

**Key properties:**

- Dimensions (W/H/D): 234mm (9.21")/ 164mm (6.46")/ 26mm (1.02")
- Power Supply: None (manual adapter).
- Weight: 0.5Kg, 1.10lbs.
- Material: Moisture resistant MDF.
- To be installed in 1/2" drywall (for installation in 5/8" drywall use 1/8" shim pack P/N 10-01-067 (sold separately)).





Model: WS NC FOR LUTRON PALLADIOM SQUARE 2G SOCKET MATTE

Model No.: 058-1-889

Family: WALL-SMART

DWG NO. 058-4-889-SPC

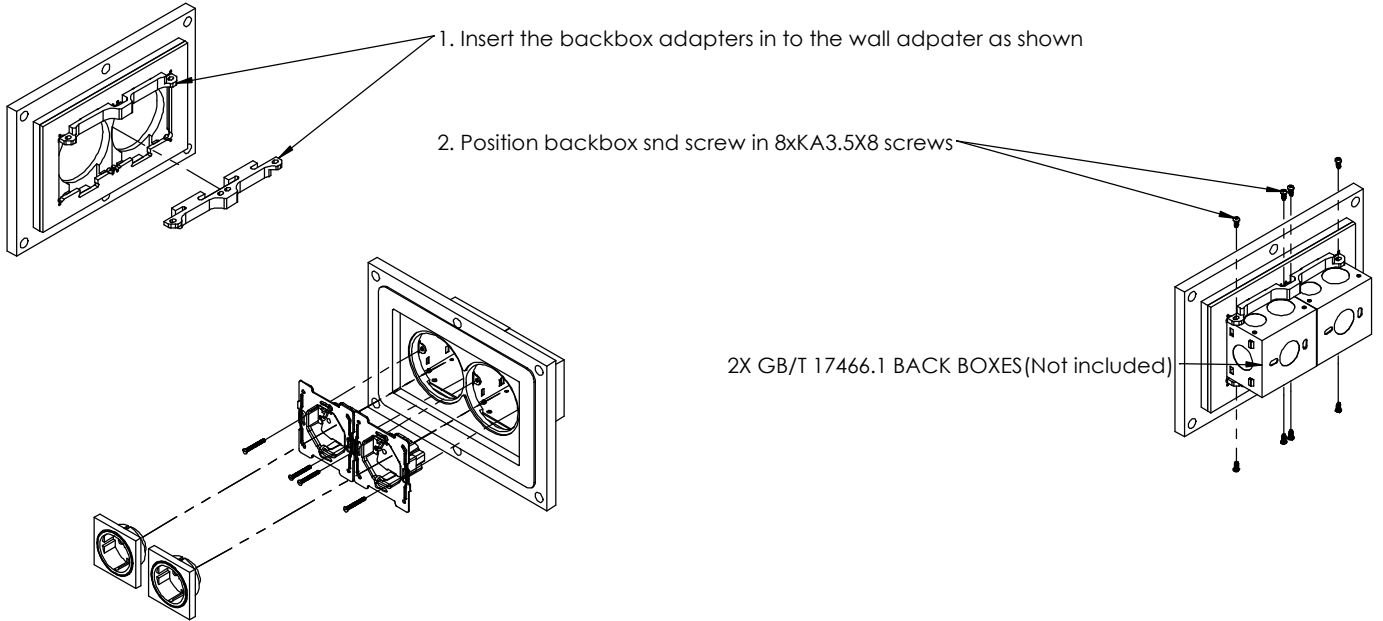
PRODUCT SPEC.

REVISION A

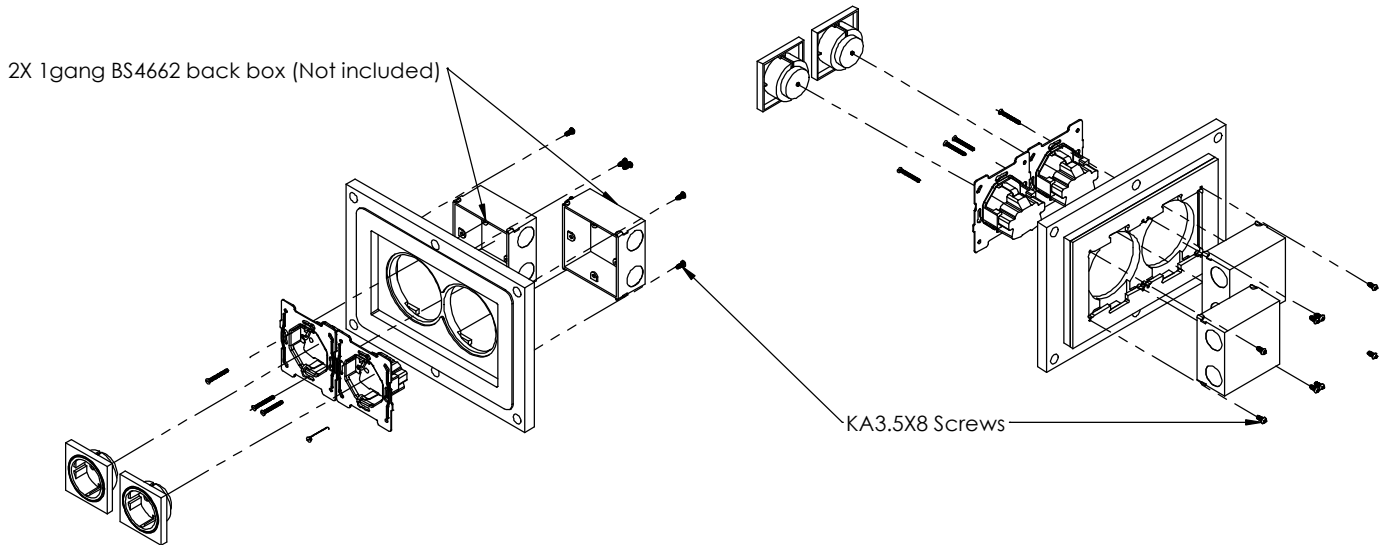
DATE 19/MAY/2021



### INSTALLTION WITH 2X GB/T 17466.1 BACK BOX



### INSTALLTION WITH X2 BS4662 1GANG BACK BOX



### INSTALLTION WITH 2X JUNCTION BOX FOR HOLE Ø68mm (DIN 49073-1)

2X 1gang junction box for hole Ø68mm  
Dimensions to DIN 49073-1 (Not included)

