



Model: WS SB FOR LUTRON ALISSE 1C/2C

Family: WALL-SMART

DWG NO. 058-4-879-SPC



Model No.: 058-4-879

PRODUCT SPEC.

REVISION A  
DATE 30/MAR/2021

## Make Your Wall Smart

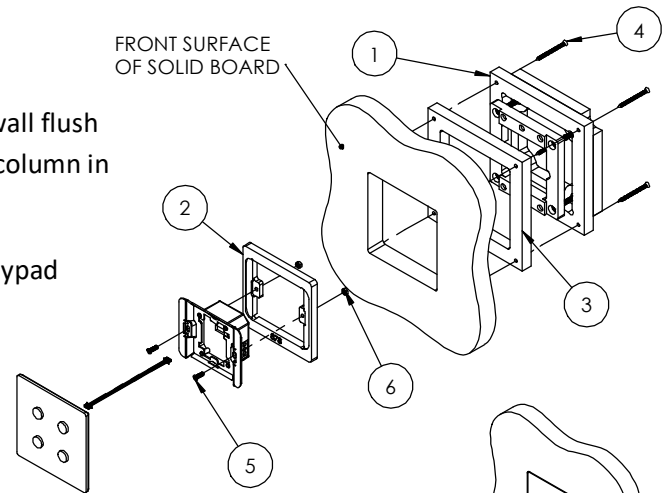
### “WS SB FOR LUTRON ALISSE 1C/2C” - Product description:

The “WS SB FOR LUTRON ALISSE 1C/2C” is an adapter for in-wall flush installation of a LUTRON Alisse wall control, single or double column in solid board walls.

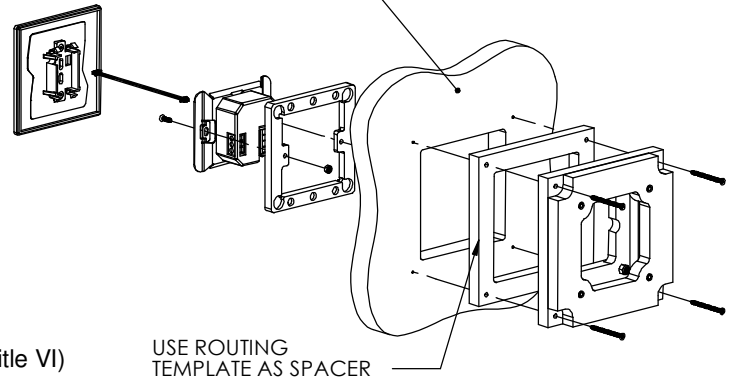
The “WS SB FOR LUTRON ALISSE 1C/2C” firmly mounts the keypad allowing easy access, insertion and operation.

### Key features and benefits:

- Allows easy insertion and removal.
- Flush with the wall.
- Allows easy maintenance access.
- Includes depth calibration mechanism and a spacer.
- allowing installation in wide range of board thicknesses:  
With spacer: 6.0mm ~ 22.0mm [0.23" ~ 0.86"] thick.  
Without spacer 17.0mm ~ 34.2mm [0.67" ~ 1.34"] thick.
- Designed for the use with Alisse wall control 1C/2C (by Lutron©) (not included).
- Use routing template as spacer.
- Installation kit contains:
  1. Wall adapter (x1)
  2. keypad adapter (x1)
  3. Routing template (x1)
  4. ST3x40 screws (x4)
  5. M3X12 Screws (x2)
  6. M3 Nuts (x2)



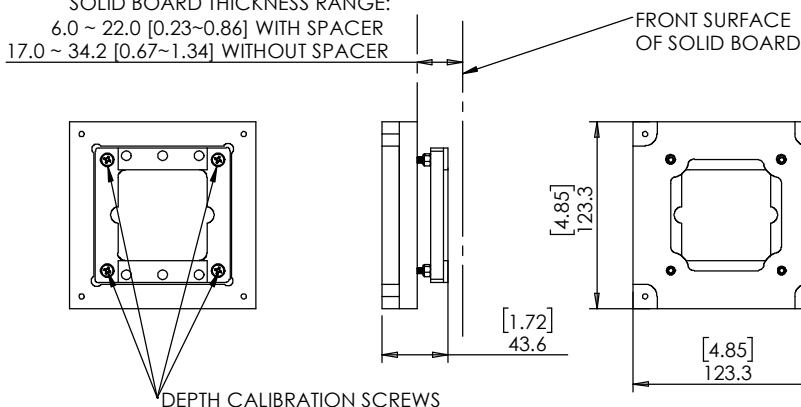
IN CASE OF INSTALLATION IN WOOD USE SCREWS, OTHERWISE APPLY STRUCTURAL ADHESIVE



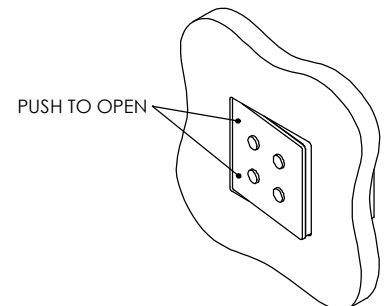
### Key properties:

- Dimensions (W/H/D): 123.3mm (4.85")/ 123.3mm (4.85")/ 43.0mm (1.69")
- Power Supply: None (manual adapter).
- Weight: 0.4Kg, 0.88lbs.
- Material: Moisture resistant MDF (compliant with TSCA Title VI)

SOLID BOARD THICKNESS RANGE:  
6.0 ~ 22.0 [0.23~0.86] WITH SPACER  
17.0 ~ 34.2 [0.67~1.34] WITHOUT SPACER



PUSH TO OPEN





Model: WS SB FOR LUTRON  
ALISSE 1C/2C

Family: WALL-SMART

DWG NO. 058-4-879-SPC



Model No.: 058-1-879

PRODUCT SPEC.

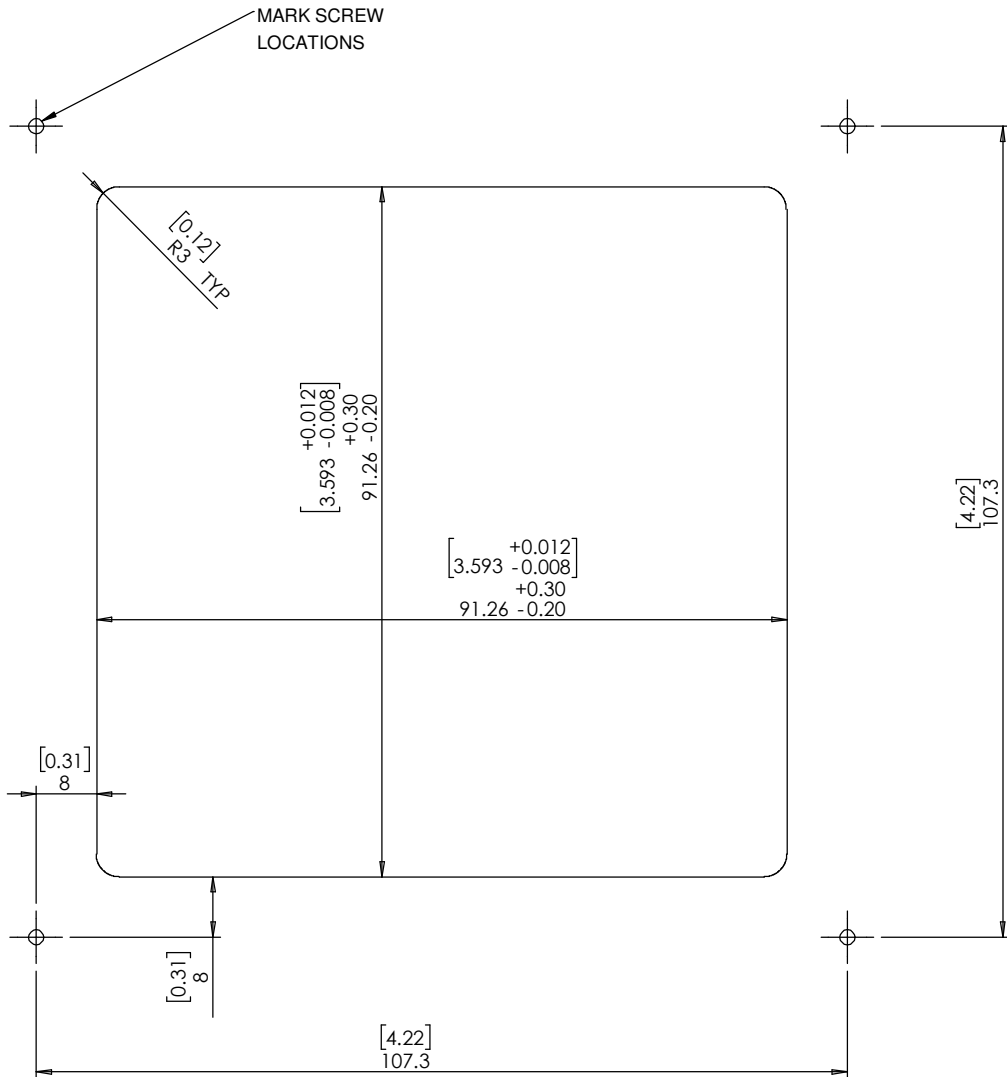
REVISION A

DATE 30/MAR/2021

# CUTOUT ROUTING TEMPLATE

## 058-1-879

SCALE 1:1



**PRINT THIS PAGE 1:1 SCALE**