



Model: WS SB FOR PALLADIOM THERMOSTAT HQWT

Family: WALL-SMART

DWG NO. 058-4-604-SPC

Model No.: 058-1-604

PRODUCT SPEC.

REVISION C

DATE 17/MAY/2022



Make Your Wall Smart

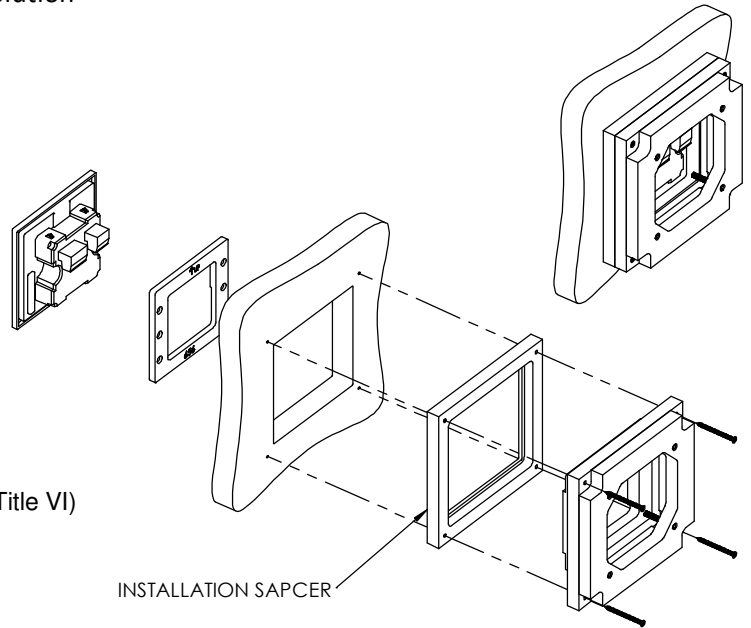
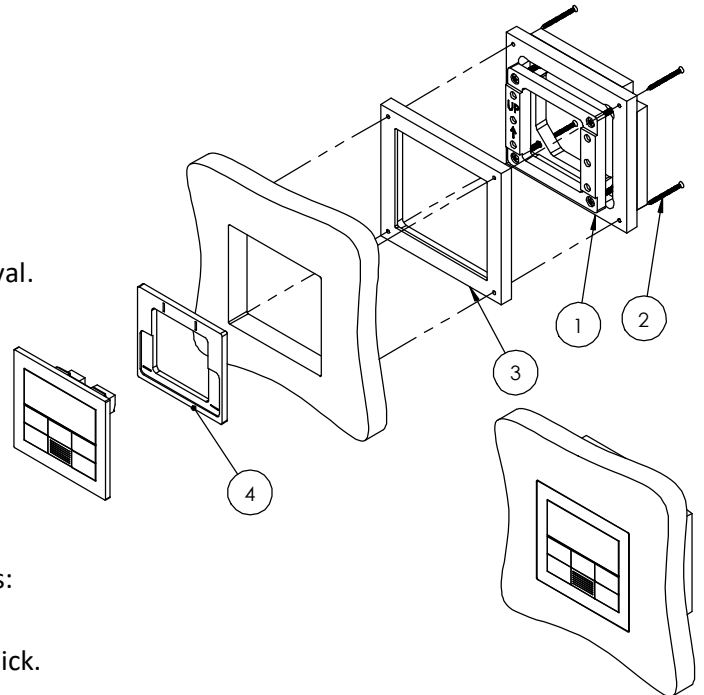
WS SB FOR PALLADIOM THERMOSTAT HQWT- Product description:

The “WS SB FOR PALLADIOM THERMOSTAT HQWT” is an adapter for in-wall flush installation of a Palladiom HQWT thermostat in a solid board walls.

The “WS SB FOR PALLADIOM THERMOSTAT HQWT” firmly mounts the devices while allowing easy insertion and removal.

Key features and benefits:

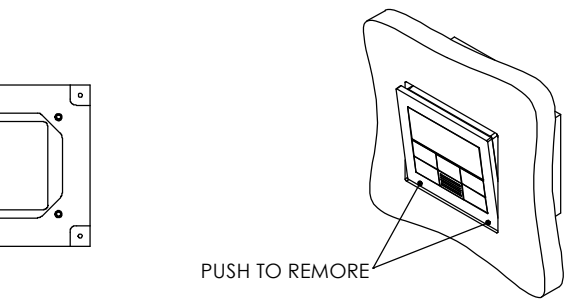
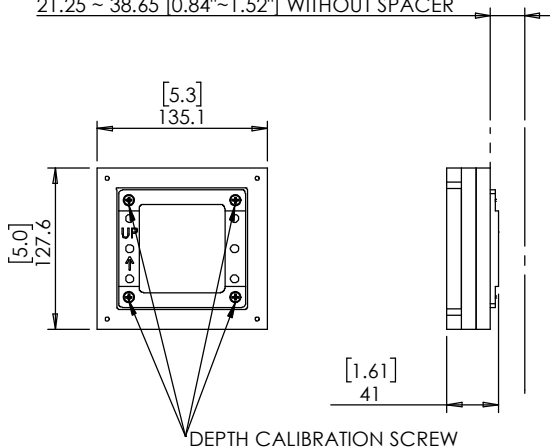
- Allows easy insertion and removal.
- Flush with the wall.
- Allows easy maintenance access.
- Includes depth calibration mechanism and a spacer.
- Allowing installation in wide range of board thicknesses:
With spacer: 9.6mm ~ 27.05 mm [0.38" ~ 1.06"] thick.
Without spacer 21.25mm ~ 38.65mm [0.84" ~ 1.52"] thick.
- Designed for Lutron HomeWorks Palladiom HVAC Solution (HQWT-T-HW-XXX-A) (thermostat is not included).
- Installation kit contains:
 1. Wall adapter (X1)
 2. ST3x40 screws (X4)
 3. Installation Spacer (X1)
 4. Device adapter (X1)



Key properties:

- Dimensions (W/H/D): 135.1mm (5.3")/ 127.6mm (5.0")/ 41.0mm (1.61")
- Power Supply: None (manual adapter).
- Weight: 0.4Kg, 0.88lbs.
- Material: Moisture resistant MDF (compliant with TSCA Title VI)

SOLID BOARD THICKNESS RANGE:
9.6 ~ 27.05 [0.38~1.06"] WITH SPACER
21.25 ~ 38.65 [0.84~1.52"] WITHOUT SPACER





Model: WS SB FOR PALLADIOM
THERMOSTAT HQWT

Family: WALL-SMART

DWG NO. 058-4-604-SPC

Model No.: 058-1-604

PRODUCT SPEC.

REVISION A

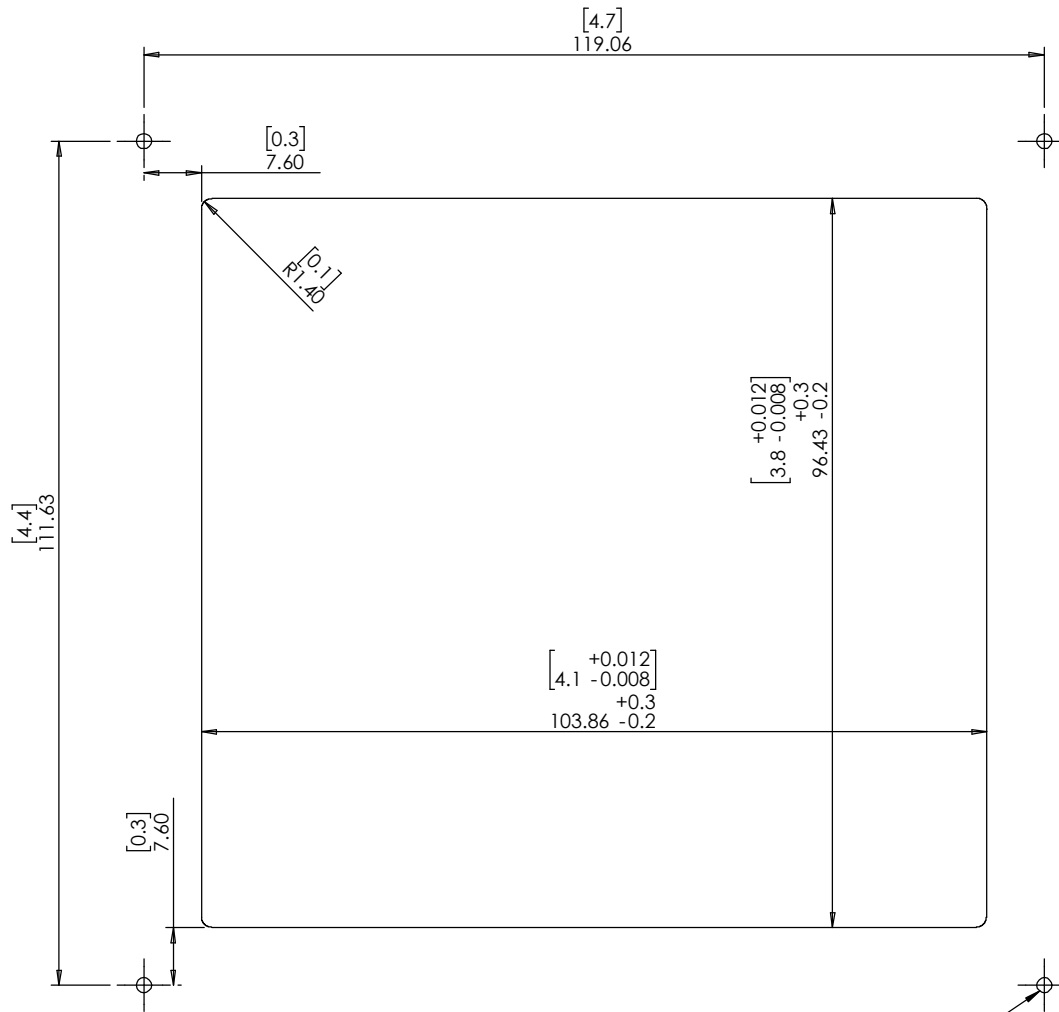
DATE 31/MAY/2021



CUTOUT ROUTING TEMPLATE FOR METAL FINISH

058-1-604

SCALE 1:1



MARK 4 SCREW POSITIONS

PRINT THIS PAGE 1:1 SCALE



Model: WS SB FOR PALLADIOM THERMOSTAT HQWT

Family: WALL-SMART

DWG NO. 058-4-604-SPC

Model No.: 058-1-604

PRODUCT SPEC.

REVISION A

DATE 31/MAY/2021

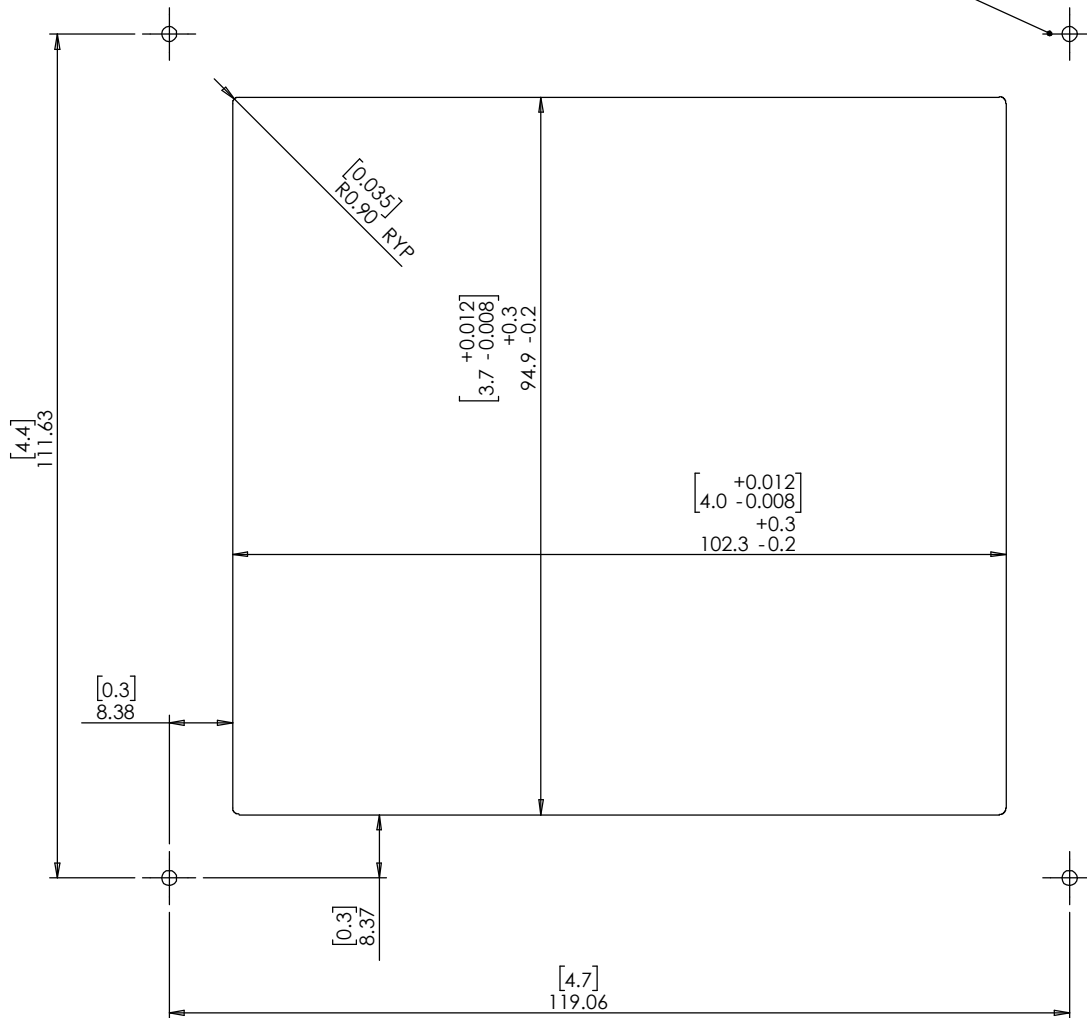


CUTOUT ROUTING TEMPLATE FOR GLASS FINISH

058-1-604

SCALE 1:1

MARK 4 SCREW POSITIONS



PRINT THIS PAGE 1:1 SCALE



Model: WS SB FOR PALLADIOM
THERMOSTAT HQWT

Family: WALL-SMART

DWG NO. 058-4-604-SPC

Model No.: 058-1-604

PRODUCT SPEC.

REVISION A

DATE 31/MAY/2021

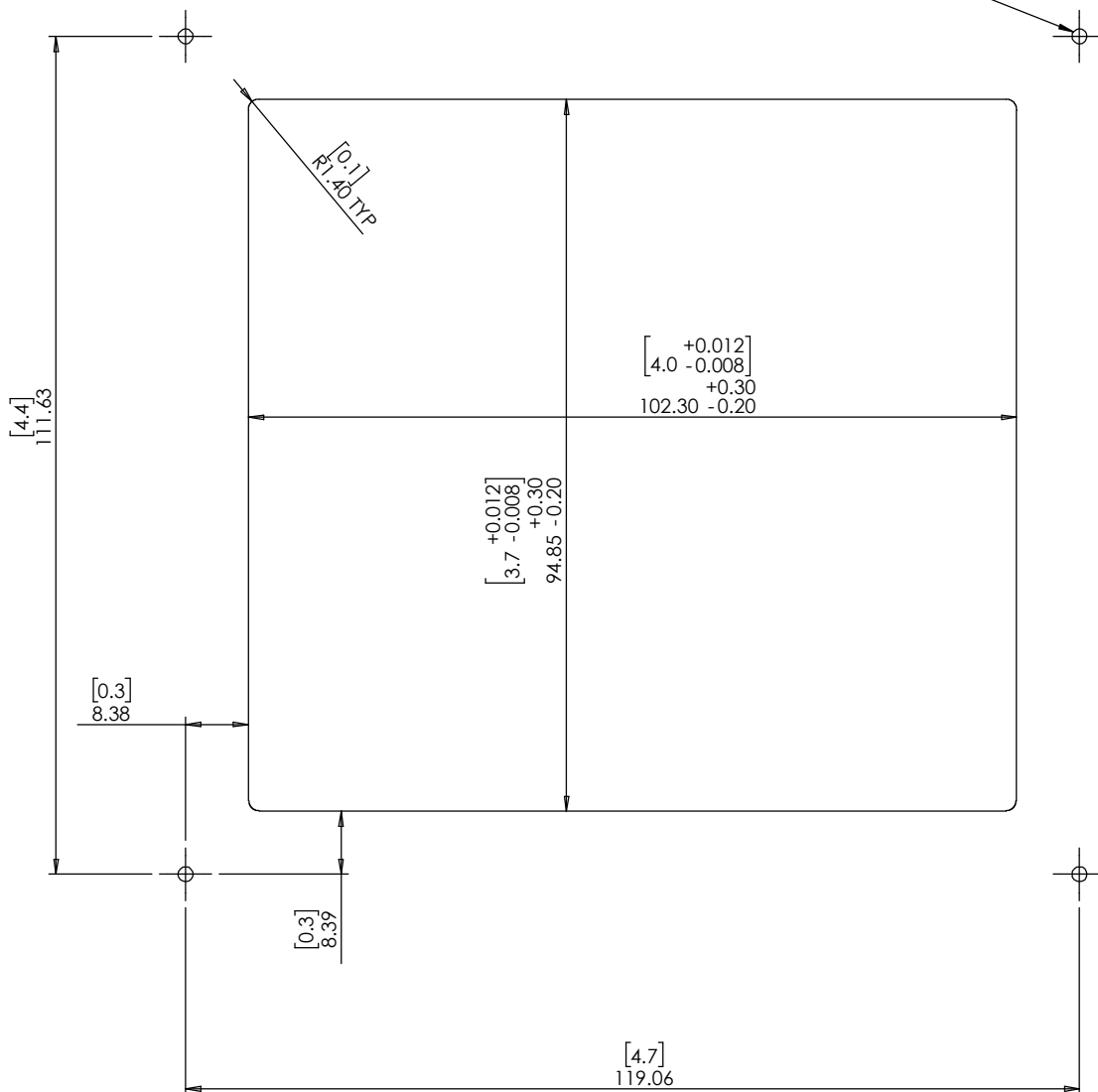


CUTOUT ROUTING TEMPLATE FOR MATTE FINISH

058-1-604

SCALE 1:1

MARK 4 SCREW POSITIONS



PRINT THIS PAGE 1:1 SCALE