



Model: WS NC FOR LUTRON Q-TOUCH5

Model No.: 058-1-399

Family: WALL-SMART

DWG NO. 058-4-399-SPC

PRODUCT SPEC.

REVISION A

DATE 10/AUG/2021



Make Your Wall Smart

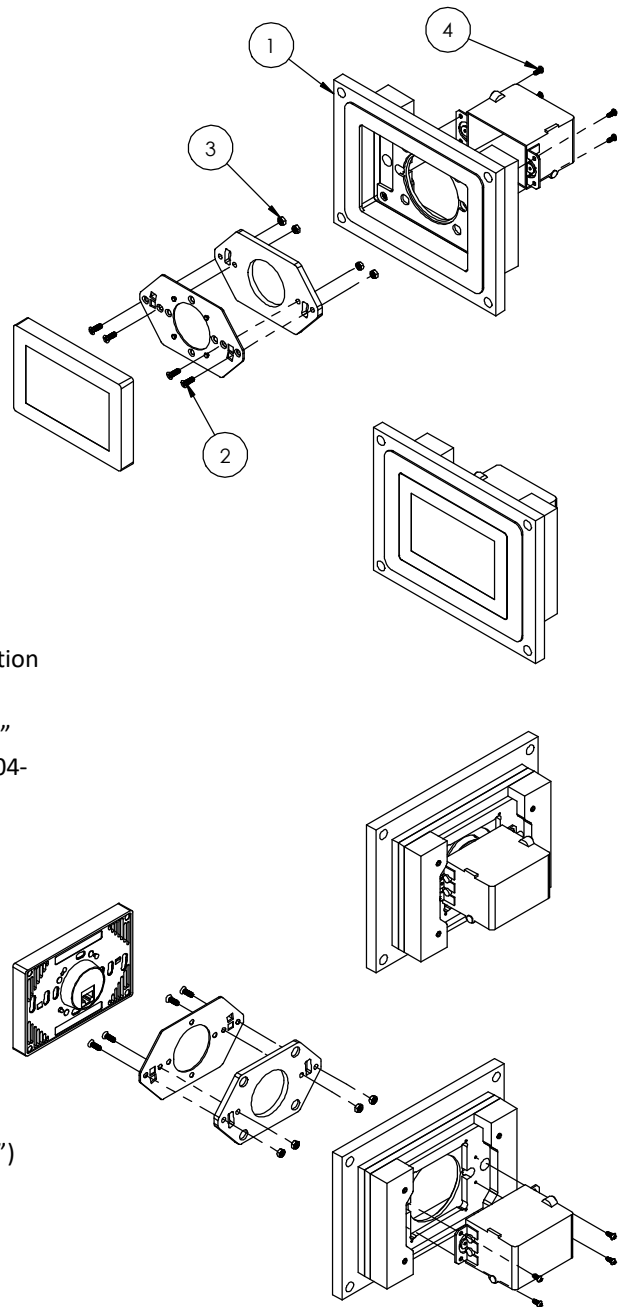
“WS NC FOR LUTRON Q-TOUCH5” - Product description:

The “WS NC FOR LUTRON Q-TOUCH5” is an adapter for in-wall flush installation of a LUTRON Q-TOUCH5 touch screen.

The “WS NC FOR LUTRON Q-TOUCH5” firmly mounts the touch screen allowing easy access, insertion and operation.

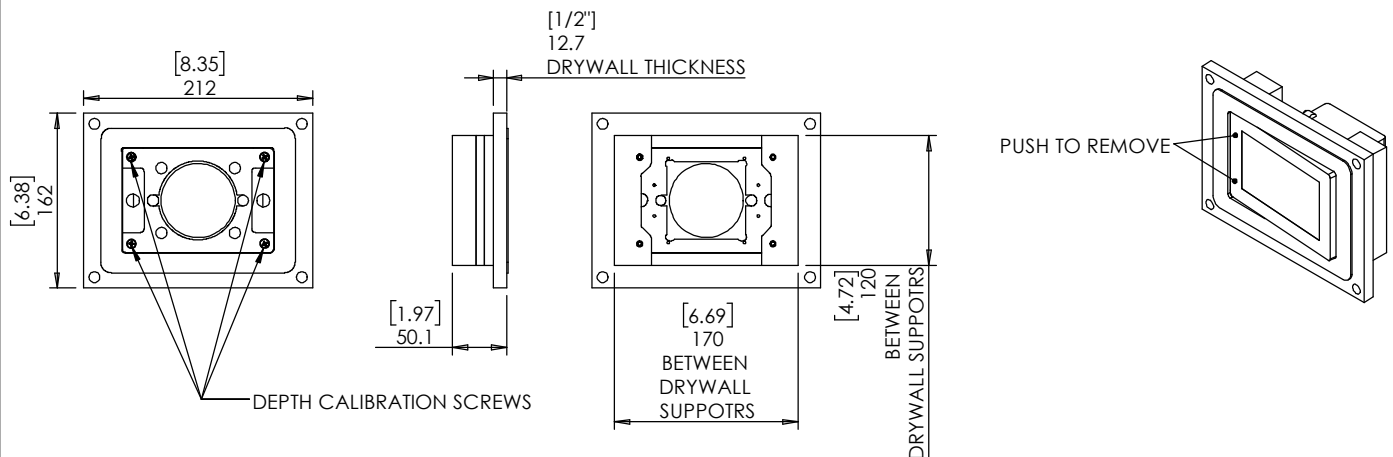
Key features and benefits:

- Flush with the wall.
- Paintable with the wall paint in any color and texture.
- Includes depth calibration mechanism.
- Allows easy insertion and removal of the faceplate and accessories.
- The adapter is supplied unpainted (To be painted after installation as part of the wall).
- Designed to be installed in 1/2” drywall. Installation of the Wall-Smart adapter is straight-forward. Installation process is similar to drywall construction procedures. Before installation, read Wall-Smart installation instruction 10-04-00101-INS in <http://www.wall-smart.com/faq>
- For installation in concrete/block wall use “WS Concrete Box 213x163” P/N 10-01-072 (sold separately) according installation instruction 10-04-00103-INS in <http://www.wall-smart.com/faq>
- Designed for the use with Q-TOUCH5 touch screen (by Lutron©) (not included).
- Adapter kit contains:
 1. Wall adapter (x1)
 2. CS M4x12 Screws (x4)
 3. M4 Nuts (x4)
 4. KA3.5X8 Screws (x4)



Key properties:

- Dimensions (W/H/D): 212mm (8.35")/ 162mm (6.38")/ 50.1mm (1.97")
- Power Supply: None (manual adapter).
- Weight: 0.4Kg, 0.88lbs.
- Material: Moisture resistant MDF.
- To be installed in 1/2” drywall (for installation in 5/8” drywall use 1/8” shim pack P/N 10-01-067 (sold separately)).





Model: WS NC FOR LUTRON Q-TOUCH5

Model No.: 058-1-399

Family: WALL-SMART

DWG NO. 058-4-399-SPC

PRODUCT SPEC.

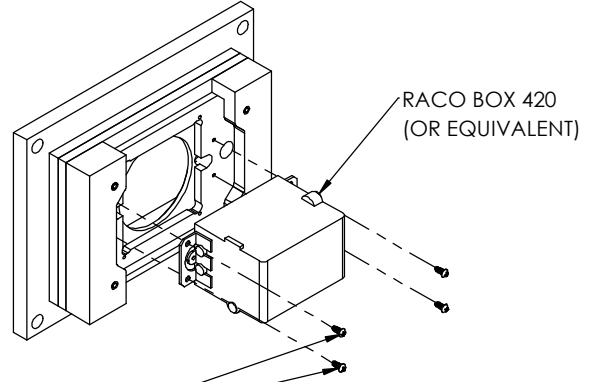
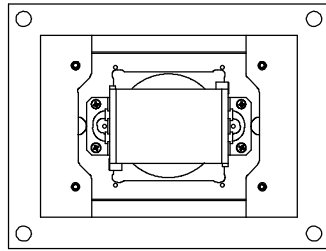
REVISION A

DATE 10/AUG/2021



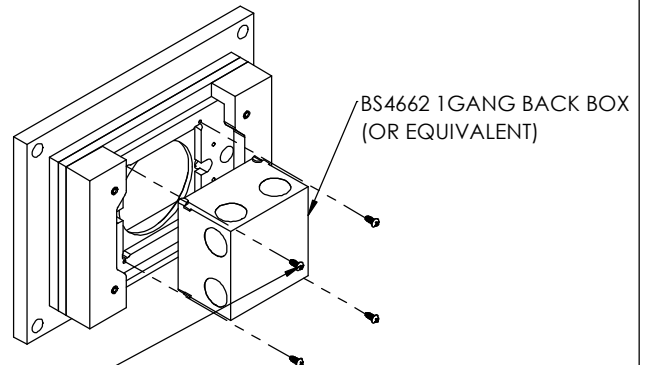
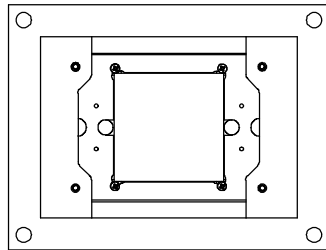
BACK BOX INSTALLATION IS USUALLY NOT REQUIRED IN MOST COUNTRIES AS THIS IS A LOW VOLTAGE DEVICE. IN CASE LOCAL ELECTRIC CODE REQUIRES ONE, FOLLOW INSTRUCTIONS BELOW.

INSTALLTION WITH RACO BOX 420



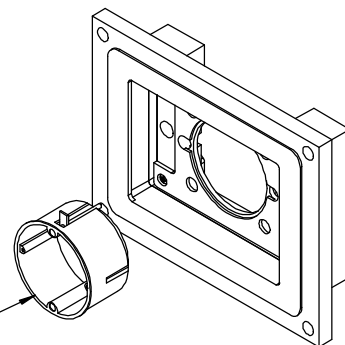
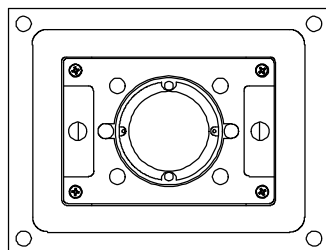
Position backbox and screw in 4xKA3.5X8 screws

INSTALLTION WITH BS4662 1GANG BACK BOX (UK Square Backbox)



Position backbox and screw in 4xKA3.5X8 screws

INSTALLTION WITH JUNCTION BOX FOR HOLE Ø68mm (DIN 49073-1) (EU Round Backbox)



1gang junction box for hole Ø68mm
Dimensions to DIN 49073-1 (Not included)