



Model: WS NC FOR HONEYWELL  
6290W TOUCHCENTER

Family: WALL-SMART

DWG NO. 039-4-866-SPC



Model No.: 039-1-866

PRODUCT SPEC.

REVISION A

DATE 14/OCT./2020

### Make Your Wall Smart

#### “WS NC FOR HONEYWELL 6290W TOUCHCENTER” - Product description:

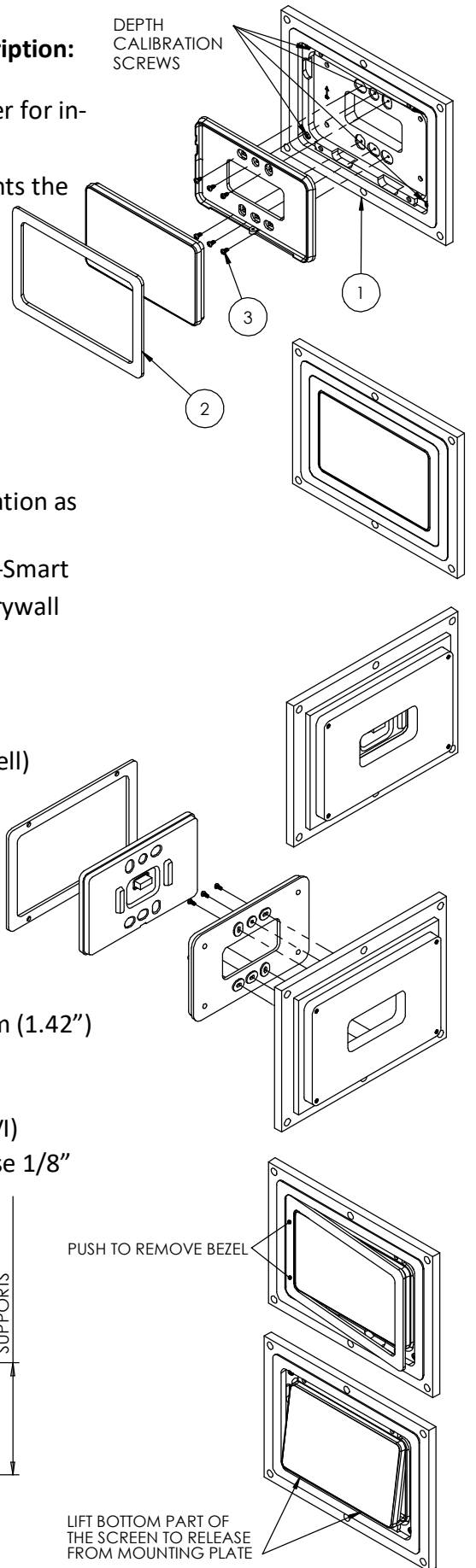
The “WS NC FOR HONEYWELL 6290W TOUCHCENTER” is an adapter for in-wall flush installation of 6290W TOUCHCENTER.

The “WS NC FOR HONEYWELL 6290W TOUCHCENTER” firmly mounts the device while allowing easy access, insertion and operation.

#### Key features and benefits:

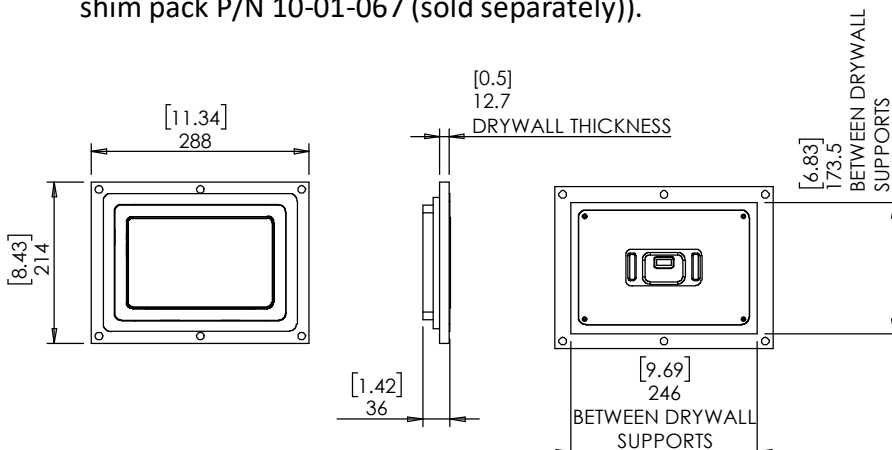
- Flush with the wall.
- Paintable with the wall paint in any color and texture.
- Wall mount contains depth calibration screws.
- Allows easy insertion and removal of the keypad.
- The adapter is supplied unpainted (To be painted after installation as part of the wall).
- Designed to be installed in ½” drywall. Installation of the Wall-Smart adapter is straight-forward. Installation process is similar to drywall construction procedures. Before installation, read Wall-Smart installation instruction 10-04-00101-INS in <http://www.wall-smart.com/faq>
- Designed for the use with 6290W TOUCHCENTER (by Honeywell) (not included).
- Adapter kit contains:
  1. (X1) Wall adapter;
  2. (X1) Bezel;
  3. (X6) KA3.5x8 screws;

DEPTH  
CALIBRATION  
SCREWS



#### Key properties:

- Dimensions (W/H/D): 288mm (11.34")/ 214mm (8.43")/ 36mm (1.42")
- Power Supply: None (manual adapter).
- Weight: 1.1Kg, 2.42lbs.
- Material: Moisture resistant MDF (compliant with TSCA Title VI)
- To be installed in ½” drywall (for installation in 5/8” drywall use 1/8” shim pack P/N 10-01-067 (sold separately)).



PUSH TO REMOVE BEZEL

LIFT BOTTOM PART OF THE SCREEN TO RELEASE FROM MOUNTING PLATE