



Model: WS RF FOR 10" TOUCH SCREEN  
BLACK/WHITE/UNPAINTED

Model No.: 028-1-978-BL/-WH/-WO

Family: WALL-SMART

DWG NO. 028-4-978-SPC

PRODUCT SPEC.

REVISION A  
DATE 05/Jan./2025



## Make Your Wall Smart

### "WS RF FOR 10" TOUCH SCREEN" BLACK/WHITE/UNPAINTED" -

#### Product description:

The "WS RF FOR 10" TOUCH SCREEN" is an adapter for in-wall nearly flush retrofit installation of 10" touch screen. The "WS RF FOR 10" TOUCH SCREEN" firmly mounts the touch screen while allowing easy insertion, removal and operation.

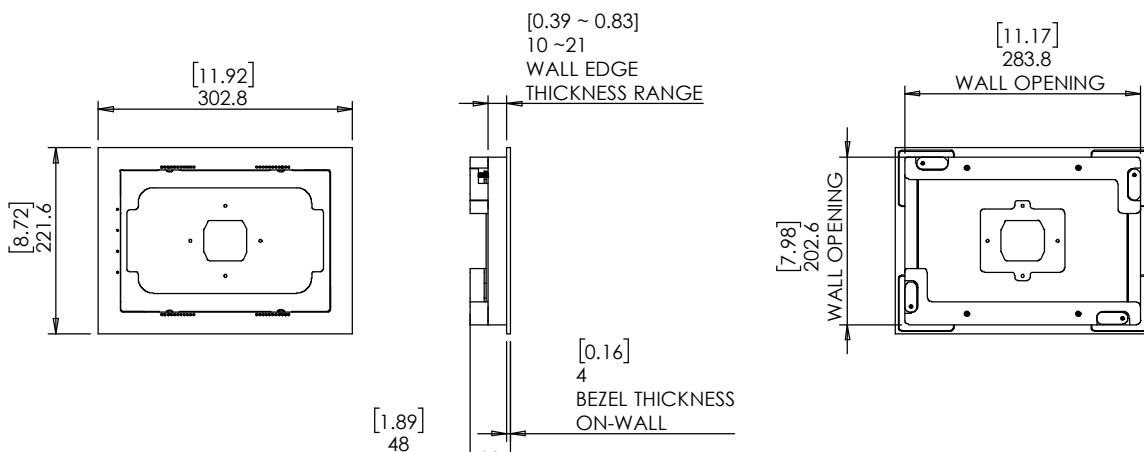
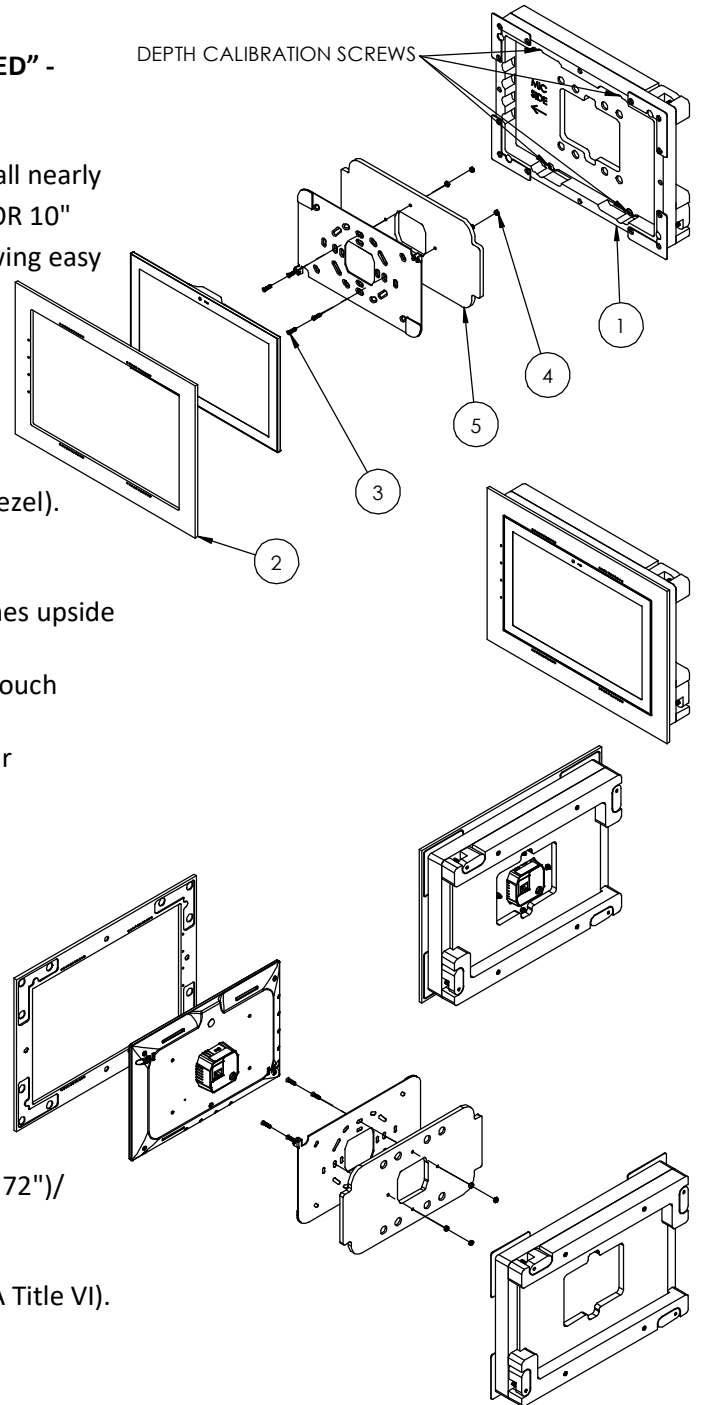
#### Key features and benefits:

- Nearly flush with the wall (4mm [0.16"] thick on-wall bezel).
- Wall mount contains depth calibration screws.
- Board thickness 10mm[0.39"] up to 21mm[0.83"].  
For boards up to 32mm[1.25"] thick, reinstall cam latches upside down.
- Designed for the use with 10" TOUCH SCREEN BL/WH touch panel (touch screen is not included).
- The bezel is supplied painted black (-BL), white (-WH) or unpainted (-WO).
- Adapter kit contains:

- Wall adapter (X1)
- Bezel (X1)
- M3x12 Flat screws (X4)
- M3 nuts (X4)
- Screen adapter (X1)

#### Key properties:

- Dimensions: (W/H/D): 302.8mm (11.92")/ 221.6mm (8.72")/ 48mm (1.89")
- Weight: 0.75Kg, 1.65lbs.
- Material: Moisture resistant MDF (compliant with TSCA Title VI).





Model: WS RF FOR 10" TOUCH SCREEN  
BLACK/WHITE/UNPAINTED

Model No.: 028-1-978-BL/-WH/-WO

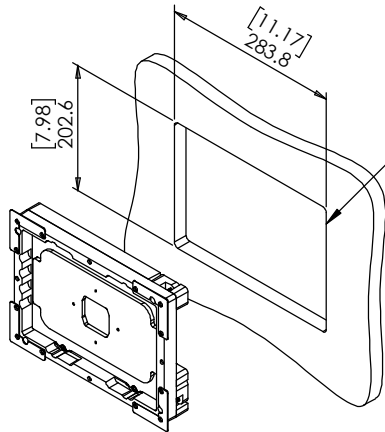
Family: WALL-SMART

DWG NO. 028-4-978-SPC

PRODUCT SPEC.

REVISION A

DATE 05/Jan./2025



1. CUT OPENING - BOARD THICKNESS 10mm [0.39"] UP TO 21mm [0.83"] (FOR BOARDS UP TO 32mm [1.25"] THICK, REINSTALL CAM LATCHES UPSIDE DOWN.

2. ROUTE NECESSARY CABLES

3. INSERT WALL MOUNT BASE

4. GENTLY SCREW CLOCKWISE 4 RETENTION SCREWS UNTIL CAM LATCHES RETAIN THE UNIT

5. ATACH THE MOUNTING BRACKET TO THE ADAPTER PLATE USING 4 M3 SCREWS

6. CONNECT TOUCH PANEL TO THE MOUNTING BRACKET AND INSERT TO THE MOUNT

7. ATTACH BEZEL (MAGNETICALLY)