



Model: WS RF FOR 8" TOUCH SCREEN
BLACK/WHITE/UNPAINTED

Model No.: 028-1-975-BL/-WH/-WO

Family: WALL-SMART

DWG NO. 028-4-975-SPC

PRODUCT SPEC.

REVISION A

DATE 29/Jul/2024



Make Your Wall Smart

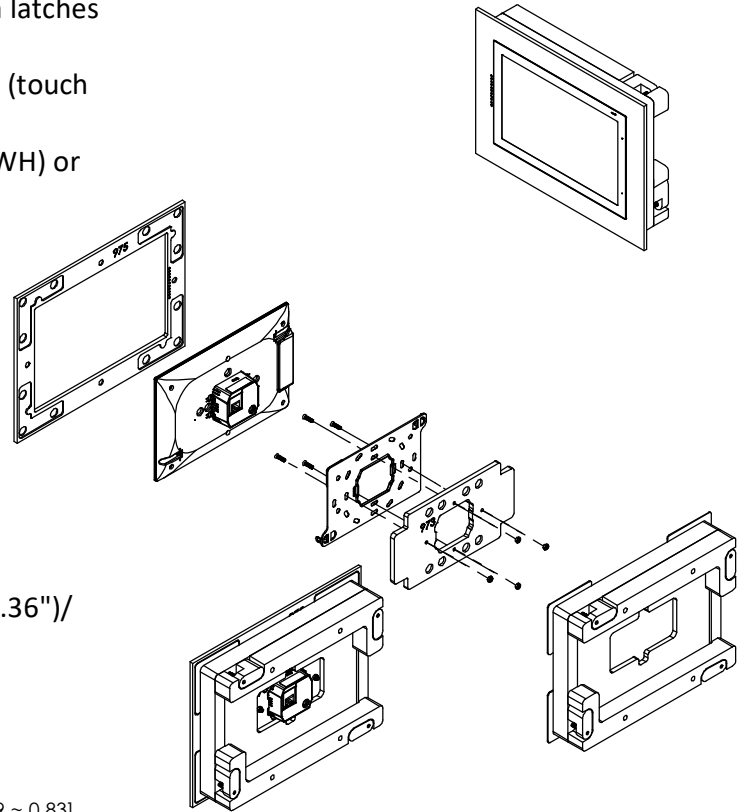
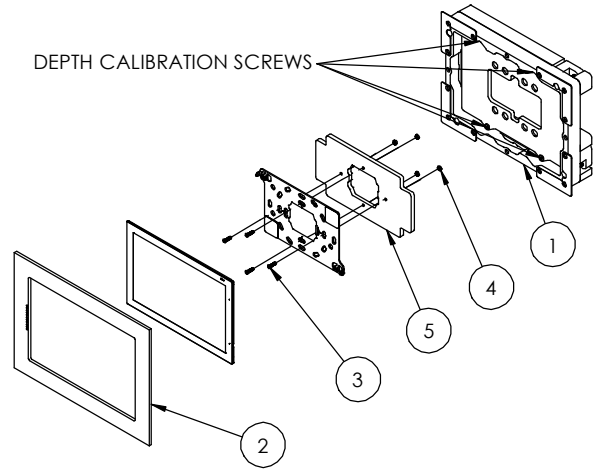
"WS RF FOR 8" TOUCH SCREEN" BLACK/WHITE/UNPAINTED" - Product description:

The "WS RF FOR 8" TOUCH SCREEN" is an adapter for in-wall nearly flush retrofit installation of 8" touch screen. The "WS RF FOR 8" TOUCH SCREEN" firmly mounts the touch screen while allowing easy insertion, removal and operation.

Key features and benefits:

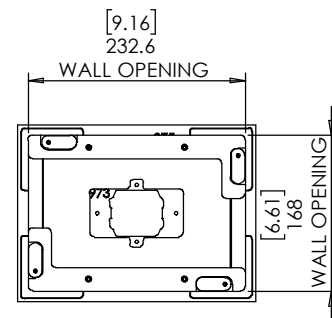
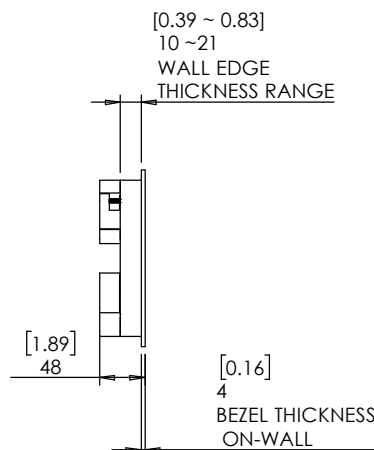
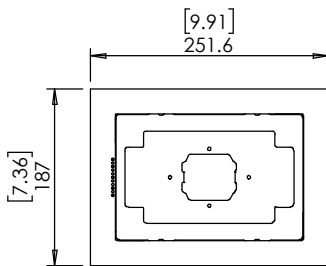
- Nearly flush with the wall (4mm [0.16"] thick on-wall bezel).
- Wall mount contains depth calibration screws.
- Board thickness 10mm[0.39"] up to 21mm[0.83"].
For boards up to 32mm[1.25"] thick, reinstall cam latches upside down.
- Designed for the use with BL/WH 8" touch screen (touch screen is not included).
- The bezel is supplied painted black (-BL), white (-WH) or unpainted (-WO).
- Adapter kit contains:

1. Wall adapter (X1)
2. Bezel (X1)
3. M3*12 (X4)
4. M3 nuts (X4)
5. Screen adapter (X1)



Key properties:

- Dimensions: (W/H/D): 251mm (9.91")/ 187mm (7.36")/ 48mm (1.89")
- Weight: 0.8Kg, 1.76lbs.
- Material: Moisture resistant MDF





Model: WS RF FOR 8" TOUCH SCREEN
BLACK/WHITE/UNPAINTED

Family: WALL-SMART

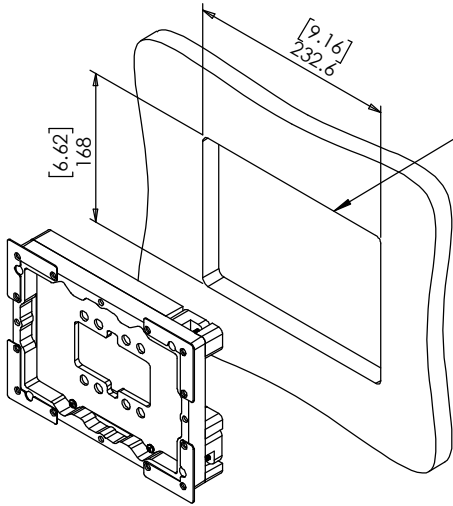
DWG NO. 028-4-975-SPC

Model No.: 028-1-975-BL/-WH/-WO

PRODUCT SPEC.

REVISION A

DATE 29/JUL/2024



1. CUT OPENING - BOARD THICKNESS 10mm [0.39"]
UP TO 21mm [0.83"] (FOR BOARDS UP TO
32mm [1.25"] THICK, REINSTALL CAM LATCHES
UPSIDE DOWN.

2. ROUTE NECESSARY CABLES

3. INSERT WALL MOUNT BASE

4. GENTLY SCREW CLOCKWISE 4
RETENTION SCREWS UNTIL CAM
LATCHES RETAIN THE UNIT

5. ATACH THE MOUNTING BRACKET TO THE
ADAPTER PLATE USING 4 M3 SCREWS

6. CONNECT TOUCH SCREEN TO THE MOUNTING
BRACKET AND INSERT TO THE MOUNT

7. ATTACH BEZEL
(MAGNETICALLY)